

Spare parts list

Baker F 500

Item number: 765041908

Release date: 17.01.16

Released by: JOLU

Revision date: 15.09.23

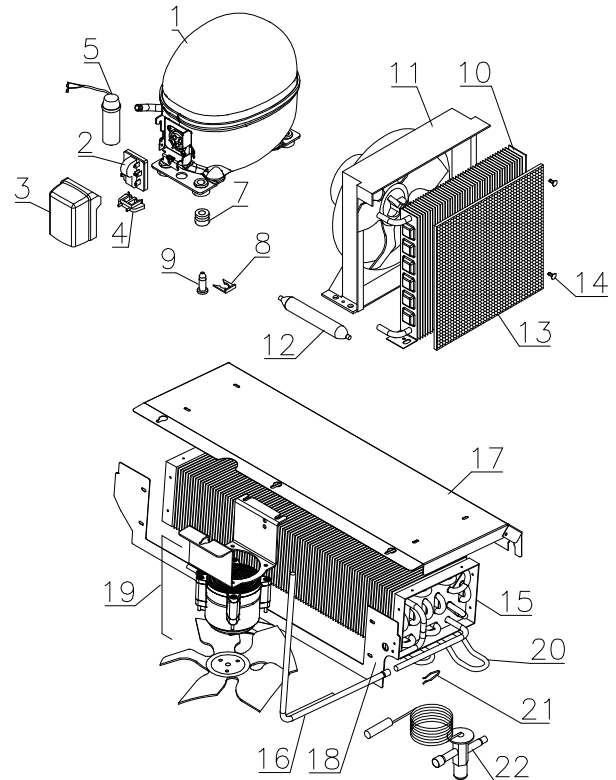
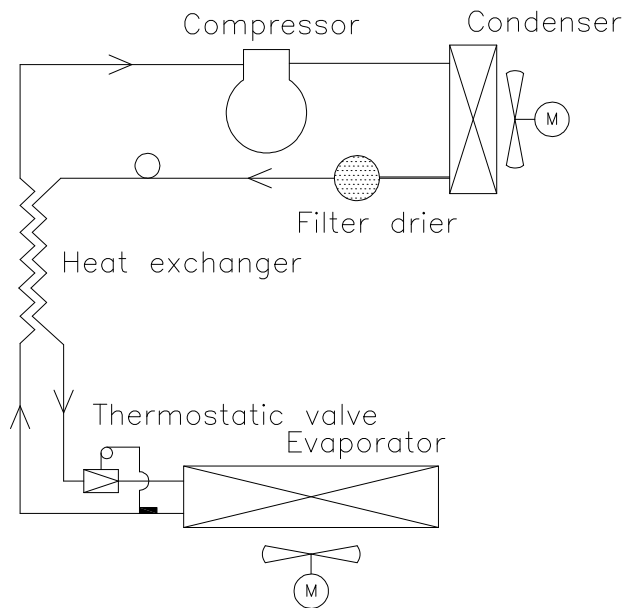
Revision no.: 011

Content

Refrigeration system parts	3
Sensors and sensor positioning.....	6
Cabinet parts	7
Electrical parts.....	8
Door.....	9
Notes	10

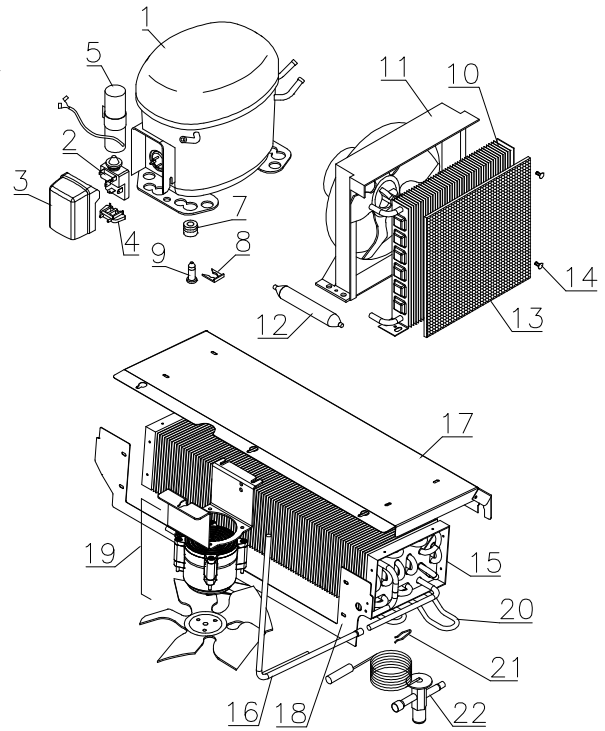
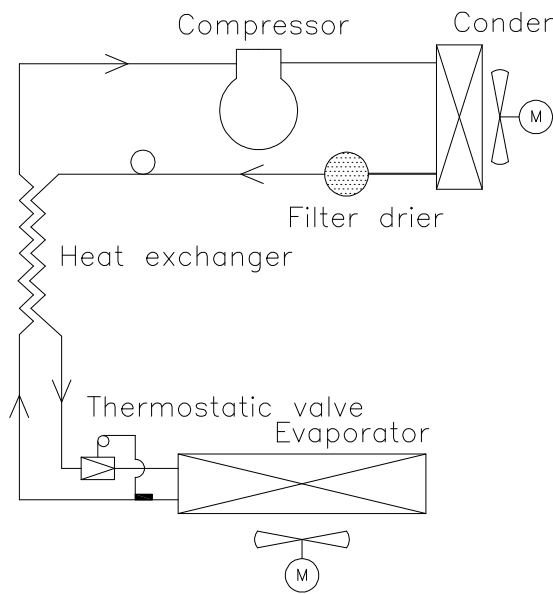
Refrigeration system parts

F 500 G



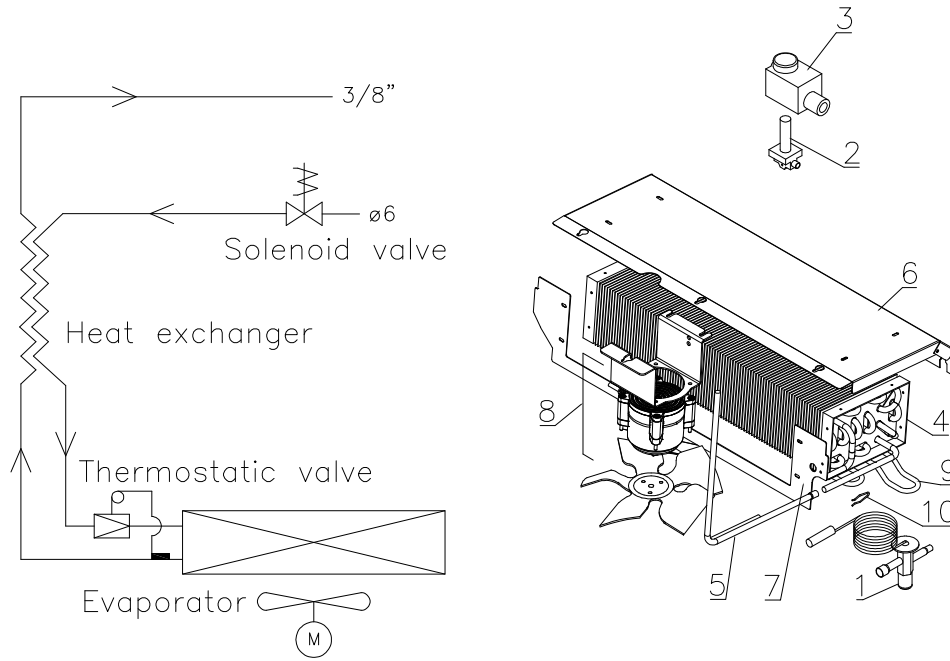
Item no.	Description	Gram part no.	Issued	Deleted
1	Compressor NLE11CNL	502900017	1316	
2	Starting relay	410589042	1316	
3	Cover	452440293	1316	
4	Cord relief	452440300	1316	
5	Start capacitor 80 μ F	451720018	1316	
7	Rubber bush	760080519	1316	
8	Compressor clip	760082367	1316	
9	Compressor screw	760082711	1316	
10	Condenser	765080165	1316	
11	Fan guard complete	765080189	1316	
12	Filter drier	765080159	1316	
13	Air filter	761114416	1316	
14	Attachment plug	765081250	1316	
15	Evaporator	765080185	1316	
16	Heat exchanger	760080963	1316	
17	Evaporator suspension	763256306	1316	
18	Evaporator cover	763256300	1316	
19	Evaporator fan complete	761250780	1316	
20	Defrost heater	765072056	1316	
21	Clip for defrost heater	761254427	1316	
22	Thermostatic valve	413165018	1316	

F 500 H



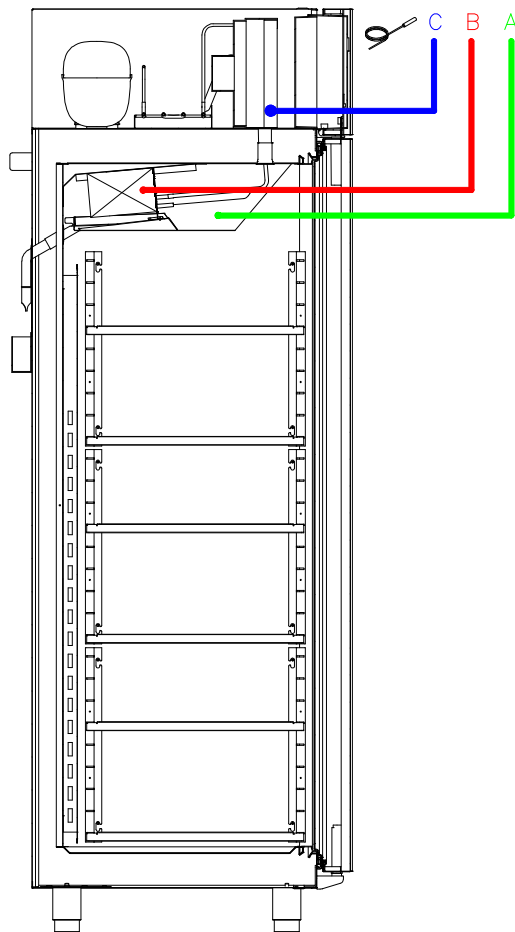
Item no.	Description	Gram part no.	Issued	Deleted
1	Compressor SC12CLX.2	500520257	1316	
2	Starting relay	410589038	1316	
3	Cover	452440291	1316	
4	Cord relief	452440292	1316	
5	Start capacitor 80 μ F	451720019	1316	
7	Rubber bush	760080519	1316	
8	Compressor clip	760082367	1316	
9	Compressor screw	760082711	1316	
10	Condenser	765080165	1316	
11	Fan guard	765080189	1316	
12	Filter drier	765080159	1316	
13	Air filter	761114416	1316	
14	Attachment plug	765081250	1316	
15	Evaporator	765080185	1316	
16	Heat exchanger	760080963	1316	
17	Evaporator suspension	763256306	1316	
18	Evaporator cover	763256300	1316	
19	Evaporator fan complete	761250780	1316	
20	Defrost heater	765072056	1316	
21	Clip for defrost heater	761254427	1316	
22	Thermostatic valve	413165016	1316	

F 500 F



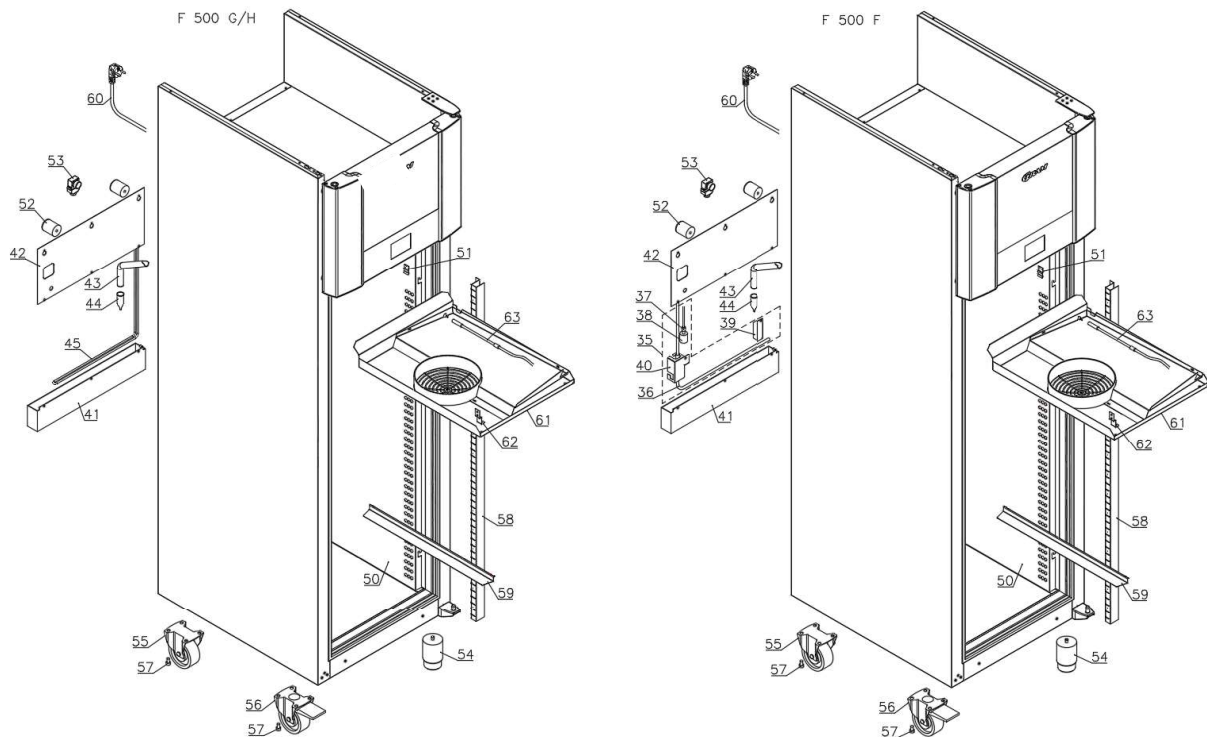
Item no.	Description	Gram part no.	Issued	Deleted
1	Thermostatic valve R404A	413165005	1316	
1	Thermostatic valve Ru1	413165013	1316	
2	Solenid valve	410104002	1316	
3	Coil for solenoid valve	610296105	1316	
4	Evaporator	765080185	1316	
5	Heat exchanger	760080963	1316	
6	Evaporator suspension	763256306	1316	
7	Evaporator cover	763256300	1316	
8	Evaporator fan complete	761250780	1316	
9	Defrost heater	765072056	1316	
10	Clip for defrost heater	761254427	1316	

Sensors and sensor positioning



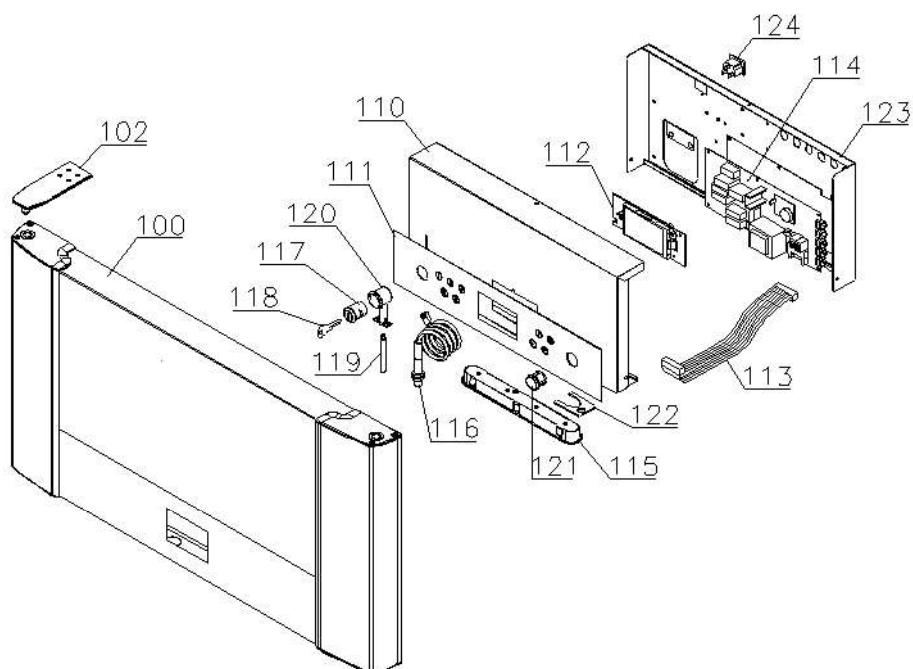
Item no.	Description	Gram part no.	Issued	Deleted
A	Room sensor	453531500	1316	
B	Defrost sensor	453531501	1316	
C	Condenser sensor	453531500	1316	

Cabinet parts



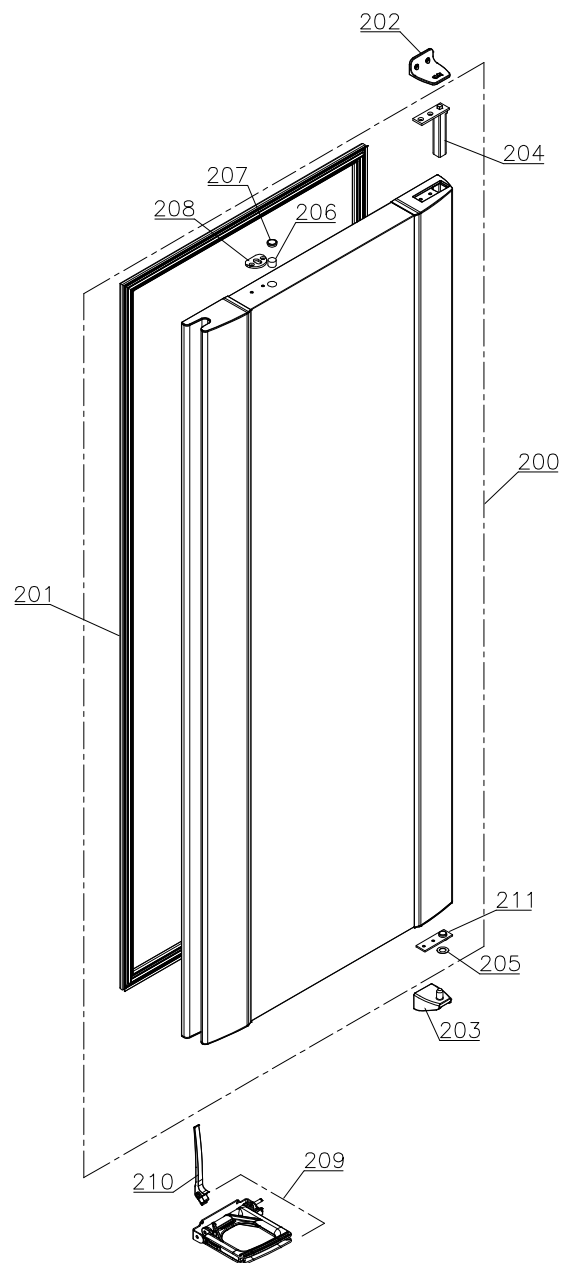
Item no.	Description	Gram part no.	Issued	Deleted
35	Re-evaporation kit	763254026	1316	
36	Re-evaporation heater	765072862	1316	
37	Float switch	765072049	1316	
38	Plastic cap	450450080	1316	
39	Heater bracket	763250021	1316	
40	Heater/float switch bracket	763250020	1316	
41	Re-evaporation tray	765081149	1316	
42	Cover plate	763251894	1316	
43	Drain pipe	765081253	1316	
44	Water trap	760082891	1316	
45	Hot gas re-evaporation pipe	762900063	1316	
50	Air distribution plate	763257613	1316	
51	Bracket	760250762	1316	
52	Distance bush	762251184	1316	
53	Air relief valve	765081206	1316	
54	Leg H=100-135 mm	765080118	1316	
54	Leg H=135-200 mm	765080115	1316	
55	Fixed castor H=109 mm	480270521	1316	
55	Fixed castor H=125 mm	480270520	1316	
56	Swivel castor H=109 mm	480270522	1316	
56	Swivel castor H=125 mm	480260050	1316	
57	Screw M8x12	422715000	1316	
58	Wall rail set 40x60	818875007	1316	
59	Supports set of 2	818885007	1316	
60	Power cord EU	765072566	1316	
60	Power cord UK	765072567	1316	
60	Power cord DK	765072568	1316	
61	Drip tray complete	763256419	1316	
62	Drip tray bracket	761253442	1316	
63	Drain line heater	761250763	1316	

Electrical parts



Item no.	Description	Gram part no.	Issued	Deleted
100	Front panel complete, Stainless	763254066	1316	
100	Front panel complete, White	763254067	1316	
101	Panel hinge	763251899	1316	
110	Junction box, front part	763252184	1316	
111	Display label	765040683	1316	
112	Display PCB	612900053	1316	
113	Ribbon cable L=700	453582047	1316	
114	Controller PCB, power part FS F04	763256008	1316	
115	LED light bar	450742025	1316	
116	Door switch	450400113	1316	
117	Lock comb. A151	765080322	1316	
117	Lock comb. A152	765080328	1316	
117	Lock comb. A135	765080329	1316	
117	Lock comb. A136	765080346	1316	
117	Lock comb. A137	765080800	1316	
117	Lock comb. A138	765080801	1316	
117	Lock comb. A139	765080802	1316	
117	Lock comb. A140	765080803	1316	
117	Lock comb. A141	765080804	1316	
117	Lock comb. A142	765080805	1316	
117	Lock comb. A143	765080806	1316	
117	Lock comb. A144	765080807	1316	
118	Key A151	765080399	1316	
119	Lock pin	763252153	1316	0320
119	Lock pin	765080088	0320	
120	Lock housing	765080047	1316	
121	Plug for lock housing	763252152	1316	
122	Clip for LED bar	763252161	1316	
123	Junction box, back part	763252181	1316	
124	Appliance inlet	451022002	1316	
125	Bush \varnothing 12	761254345	1316	

Door



Item no.	Description	Gram part no.	Issued	Deleted
200	Door complete, Stainless	763254077	0316	
200	Door complete, White	763254078	0316	
201	Gasket	763256704	0316	
202	Top hinge	763251747	0316	
203	Bottom hinge	763251746	0316	
204	Self closing device	761259909	0316	4718
204	Self closing device	763251745	4718	
205	Washer	760250527	0316	
206	Magnet for door switch	450401002	0316	
207	Plastic plug	765081220	0316	
208	Lock bracket	763251095	0316	
209	Foot pedal, right	763251812	0316	
209	Foot pedal, left	763251813	0316	
210	Pedal arm	763251802	0316	
211	Hinge bearing complete	761220980	0316	

Notes
