

Spare parts list

Baker GA 900

Item number: 765041799

Release date: 15.03.16

Released by: JABP

Revision date: 26.06.24

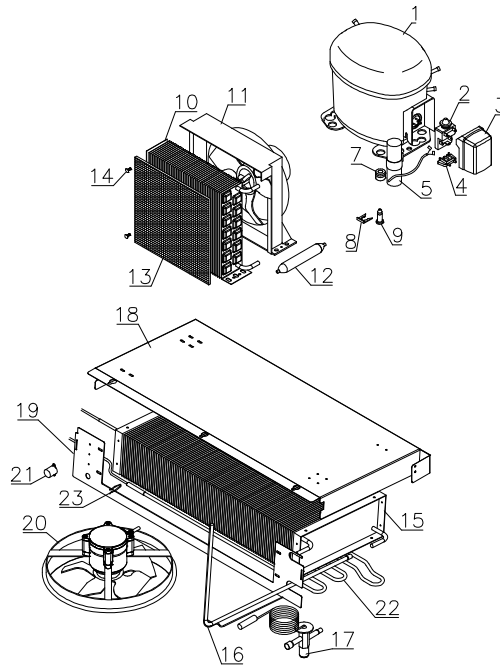
Revision no.: 016

Content

Refrigeration system parts	3
Humidifier system parts.....	6
Sensors and sensor positioning.....	7
Cabinet parts	8
Electrical parts.....	9
Door.....	10
Notes	11

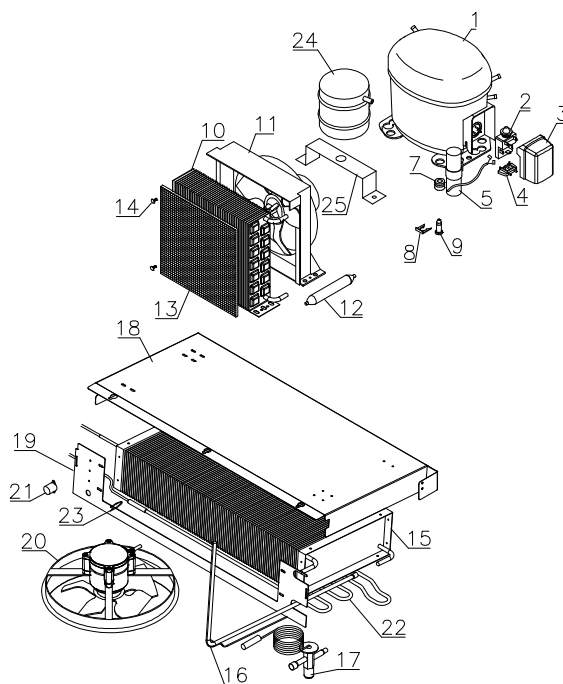
Refrigeration system parts

GA 900 G



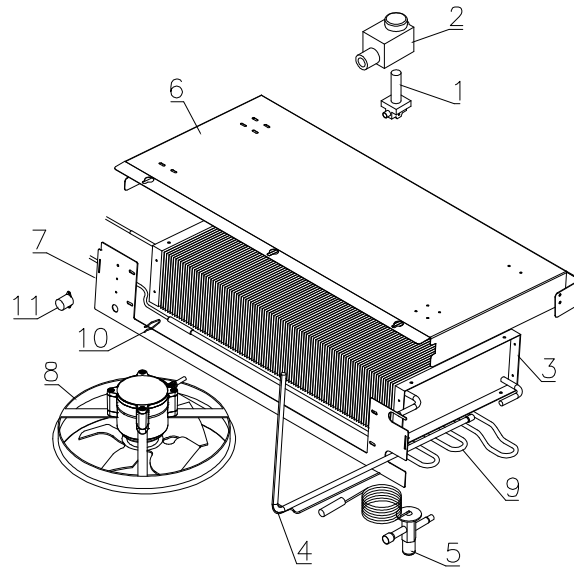
Item no.	Description	Gram part no.	Issued	Deleted
1	Compressor SC21CNX.2	502900014	1616	
2	Starting relay	410589043	1616	
3	Cover	452440280	1616	
4	Cord relief	452440292	1616	
5	Start capacitor 125 μ F	451720022	1616	
7	Rubber bush	760080519	1616	
8	Compressor clip	760082367	1616	
9	Compressor screw	760082711	1616	
10	Condenser	765080164	1616	
11	Fan guard complete	765080190	1616	
12	Filter drier	765080159	1616	
13	Air filter	761114423	1616	
14	Attachment plug	765081250	1616	
15	Evaporator	765080173	1616	
16	Heat exchanger	760080972	1616	
17	Expansion valve	413165018	1616	
18	Evaporator suspension	763256250	1616	
19	Evaporator cover	763256303	1616	
20	Evaporator fan complete	765073237	1616	
21	Bi-metallic thermostat	410311000	1616	
22	Defrost heater	765072212	1616	
23	Clip for defrost heater	761254427	1616	

GA 900 H



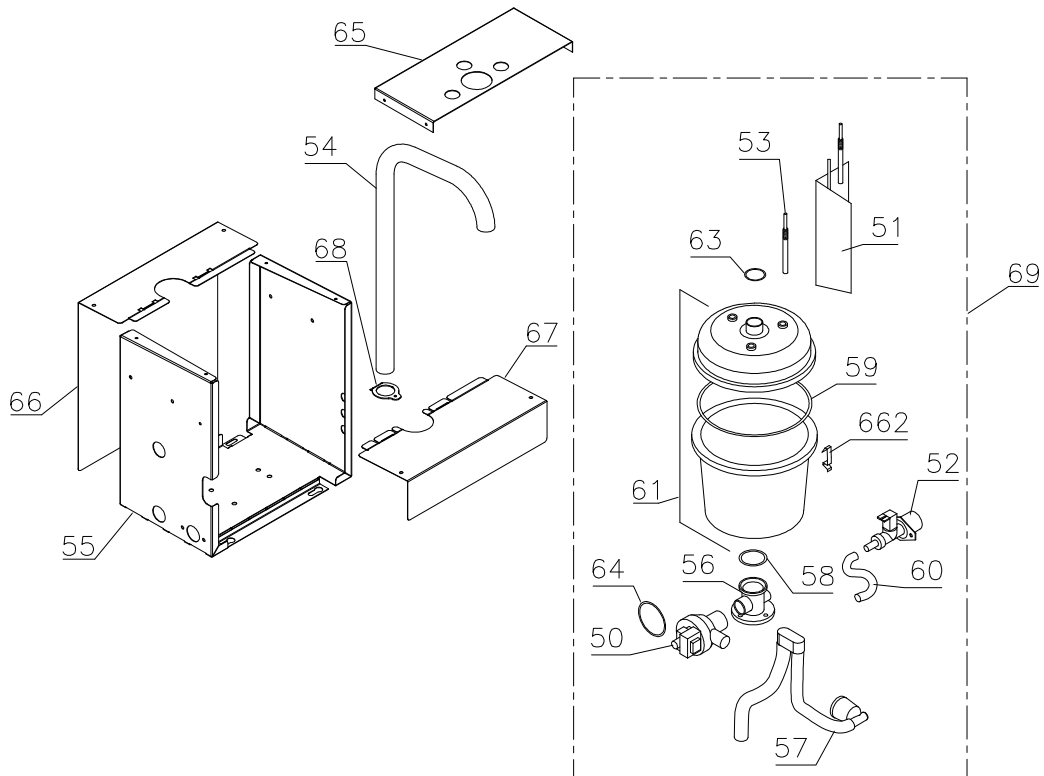
Item no.	Description	Gram part no.	Issued	Deleted
	GA 950 H – 50 Hz			
1	Compressor SC18CLX.2	500520290	1616	
2	Starting relay	410589022	1616	
3	Cover	452440280	1616	
4	Cord relief	452440292	1616	
5	Start capacitor 125 μ F	451720022	1616	
	GA 950 H – 60 Hz			
1	Compressor SC15CLX.2	500520289	1616	
2	Starting device	453050040	1616	
3	Cover	452440291	1616	
4	Cord relief	452440292	1616	
	Common			
7	Rubber bush	760080519	1616	
8	Compressor clip	760082367	1616	
9	Compressor screw	760082711	1616	
10	Condenser	765080166	1616	
11	Fan guard	765080190	1616	
12	Filter drier	765080159	1616	
13	Air filter	761114423	1616	
14	Attachment plug	765081250	1616	
15	Evaporator	765080173	1616	
16	Heat exchanger	760080963	1616	
17	Expansion valve	413165016	1616	
18	Evaporator suspension	763256250	1616	
19	Evaporator cover	763256303	1616	
20	Evaporator fan complete	765073237	1616	
21	Bi-metallic thermostat	410311000	1616	
22	Defrost heater	765072212	1616	
23	Clip for defrost heater	761254427	1616	
24	Receiver	425950010	1616	
25	Receiver bracket	761252666	1616	

GA 900 F



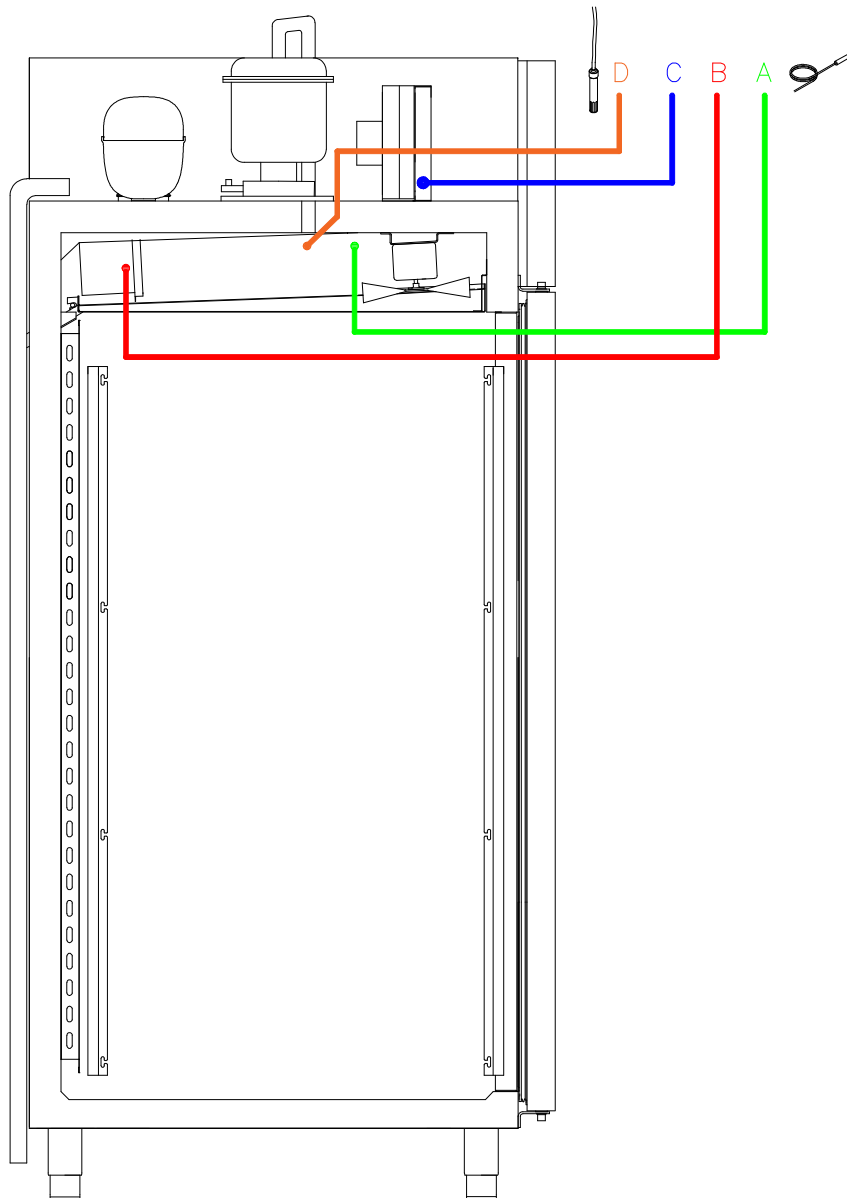
Item no.	Description	Gram part no.	Issued	Deleted
1	Solenoid valve	410104002	1616	
2	Coil for solenoid valve	610296105	1616	
3	Evaporator	765080173	1616	
4	Heat exchanger	760080963	1616	
5	Expansion valve R404A	413165010	1616	
5	Expansion valve Ru1	413165023	1616	
6	Evaporator suspension	763256250	1616	
7	Evaporator cover	763256303	1616	
8	Evaporator fan complete	765073237	1616	
9	Defrost heater	765072212	1616	
10	Clip for defrost heater	761254427	1616	
11	Clip for defrost heater	761254427	1616	

Humidifier system parts



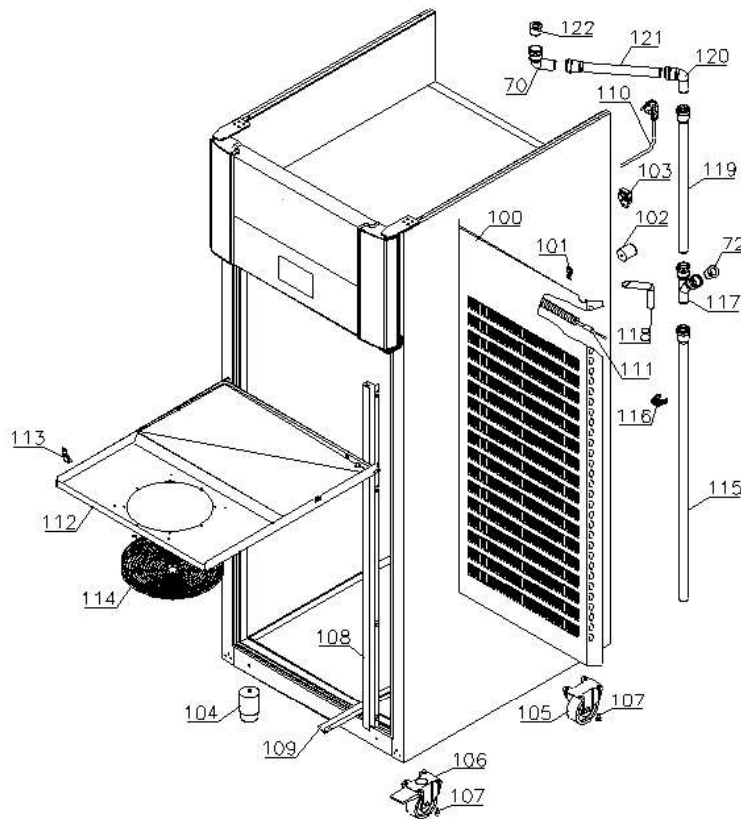
Item no.	Description	Gram part no.	Issued	Deleted
50	Drain pump	765081157	0920	
51	Electrodes (2 off)	765081158	0920	
52	Water inlet solenoid valve	765081159	0920	
53	Sensor electrode	453531101	0920	
54	Steam pipe	460550102	0920	
55	Base plate for cylinder	763255751	0920	
56	Cylinder base	765081160	0920	
57	Water drain hose system	765081161	0920	
58	O-ring seal for cylinder base	550890021	0920	
59	O-ring seal for cylinder flange	550890022	0920	
60	Conn.hose, solenoid valve-cylinder	765081165	0920	
61	Steam cylinder – complete set	765081191	0920	
62	Clamp for cylinder	765081164	0920	
63	O-ring seal for steam pipe	550890020	0920	
64	O-ring seal for drain pump	550890023	0920	
65	Cylinder top plate	763255753	0920	
66	Cover, front	763255754	0920	
67	Cover, top	763255755	0920	
68	Steam pipe bracket	763258890	0920	
69	Steamer unit – complete	765081167	0920	

Sensors and sensor positioning



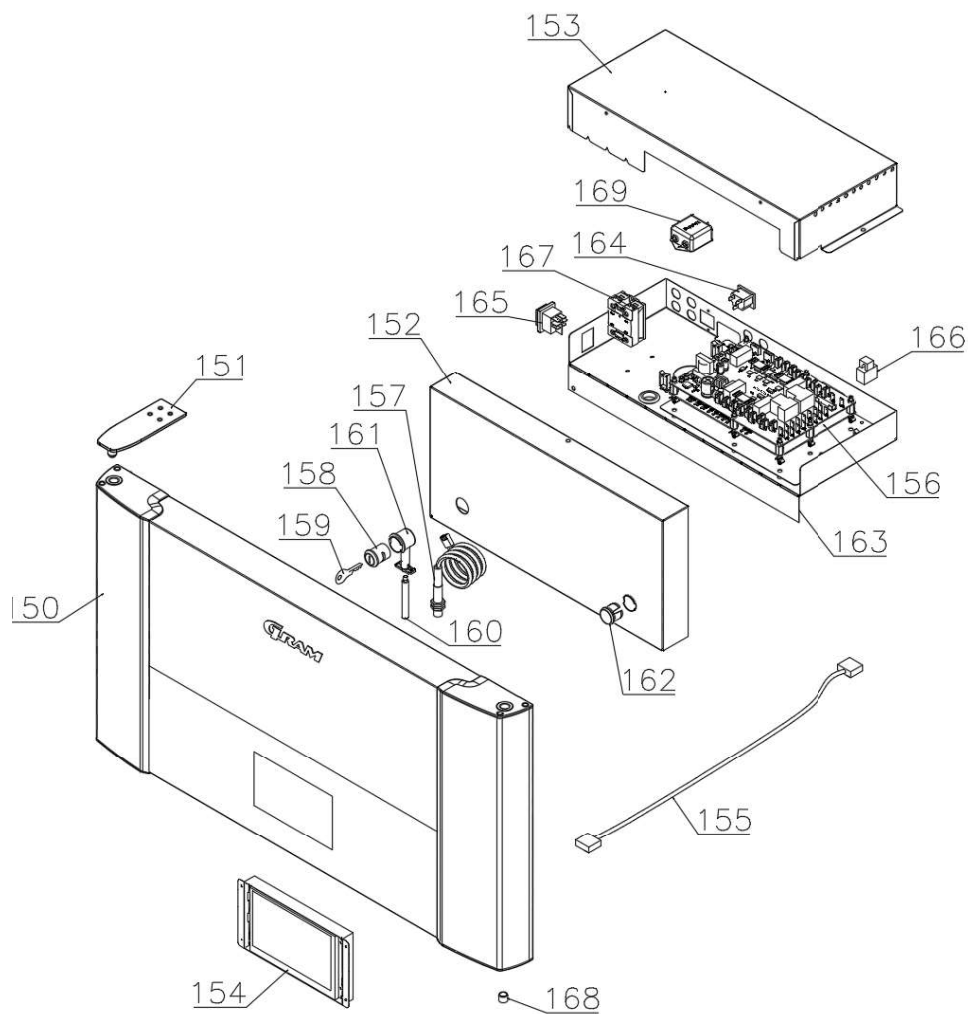
Item no.	Description	Gram part no.	Issued	Deleted
A	Room sensor	453531521	1616	
B	Defrost sensor	453531522	1616	
C	Condenser sensor	453531523	1616	
D	Humidity sensor	765073236	1616	

Cabinet parts



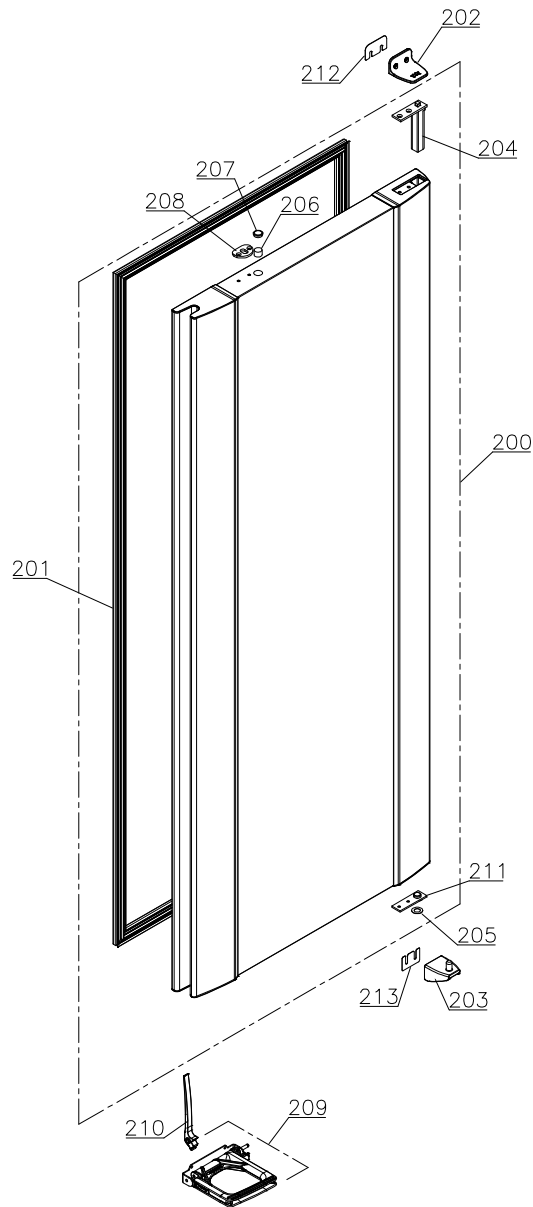
Item no.	Description	Gram part no.	Issued	Deleted
100	Air distribution plate	763257602	1616	
101	Bracket	760250762	1616	
102	Distance bush	762251184	1616	
103	Air relief valve	765081206	1616	
104	Leg H=100-135 mm	765080118	1616	
104	Leg H=135-200 mm	765080115	1616	
105	Fixed castor H=109 mm	480270521	1616	
105	Fixed castor H=125 mm	480270520	1616	
106	Swivel castor H=109 mm	480270522	1616	
106	Swivel castor H=125 mm	480260050	1616	
107	Screw M8x12	422715000	1616	
108	Wall rail set 60x80	818795001	1616	
108	Wall rail set 47x63	818795002	1616	
109	Supports set of 2	818805006	1616	
110	Power cord EU	765072566	1616	
110	Power cord UK	765072567	1616	
110	Power cord DK	765072568	1616	
111	Cabinet heater	763254095	1616	
112	Drip tray complete	763256407	1616	
113	Drip tray bracket	761253442	1616	
114	Fan guard	763256490	1616	
115	Drain pipe L=1000 mm	335060010	1616	
116	Pipe support	335060004	1616	
117	Branch connection	335060008	1616	
118	Drip water pipe	765081253	1616	
119	Drain pipe L=500 mm	335060009	1616	
120	Pipe bend	335060006	1616	
121	Drain pipe L=250 mm	335060001	1616	
122	Plug	335060005	1616	

Electrical parts



Item no.	Description	Gram part no.	Issued	Deleted
150	Front panel complete, Stainless	763254070	1616	
151	Panel hinge	763251899	1616	
152	Junction box, front part	763252135	1616	
153	Junction box top cover	763252134	1616	
154	Display PCB	453580127	1616	
155	HMI cable	453582065	1616	
156	Controller PCB, power part	453580128	1616	
157	Door switch	450400115	1616	
158	Lock comb. A151	765080322	1616	
159	Key A151	765080399	1616	
160	Lock pin	763252153	1616	0320
160	Lock pin	765080088	0320	
161	Lock housing	765080047	1616	
162	Plug for lock housing	763252152	1616	
163	Junction box	763252131	1616	
164	Appliance inlet	451022002	1616	
165	Power switch	450450500	1616	
166	Amp sensor	453531524	1616	
167	Solid State Relay	450200300	4017	
168	Bush ø12	761254345	1616	
169	EMC-Filter	451022008	2824	

Door



Item no.	Description	Gram part no.	Issued	Deleted
200	Door complete, Stainless	763254061	1616	
200	Door complete, White	763254075	1616	
201	Gasket	763256702	1616	
202	Top hinge	763251747	1616	
203	Bottom hinge	763251746	1616	
204	Self closing device	761259909	1616	4718
204	Self closing device	763251745	4718	
205	Washer	760250527	1616	
206	Magnet for door switch	450401002	1616	
207	Plastic plug	765081220	1616	
208	Lock bracket	763251095	1616	
209	Foot pedal, right	763251812	1616	
209	Foot pedal, left	763251813	1616	
210	Pedal arm	763251802	1616	
211	Hinge bearing complete	761220982	1616	
212	Top hinge shim pad	763251748	1616	
213	Bottom hinge shim pad	763251749	1616	

Log book

Continuous changes are introduced in the log book.

-

Version 016:

- 26. June 2024: Pos 169 EMC Filer added.

Notes
