

Spare parts list

Gastro 510

Item number: 765041714

Release date: 26.02.15

Released by: JABP

Revision date: 26.10.23/JOLU

Revision no.: 016

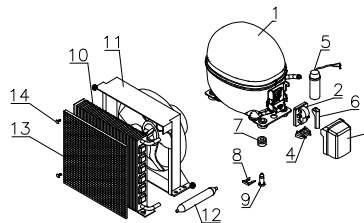
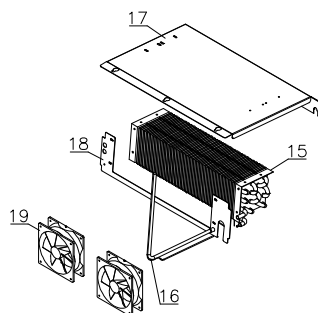
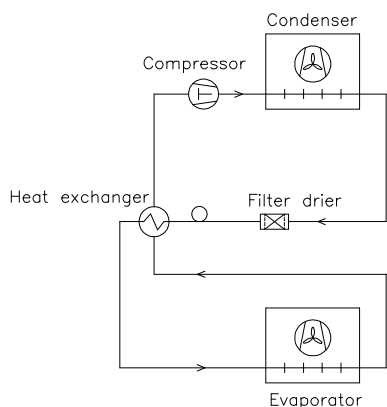
Content

Refrigeration system parts	3
Sensors and sensor positioning	6
Cabinet parts	7
Electrical parts	9
Door	10
Notes	12

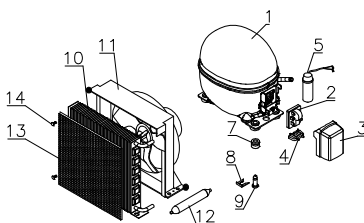
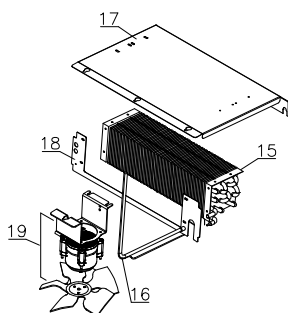
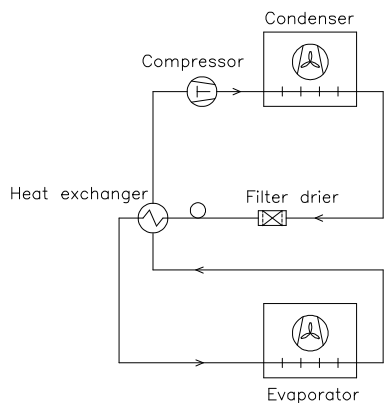
Refrigeration system parts

R600

1315 - 4020

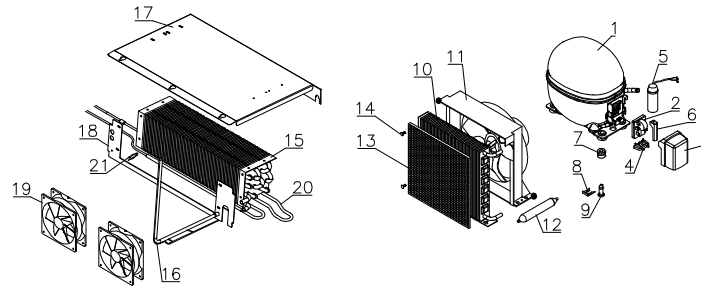
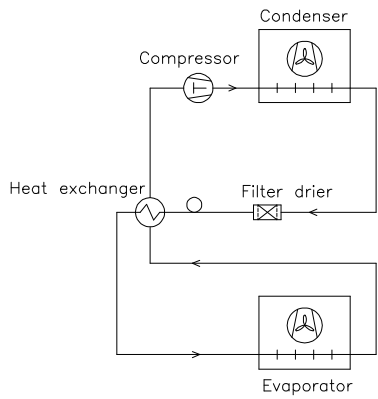


4020 -

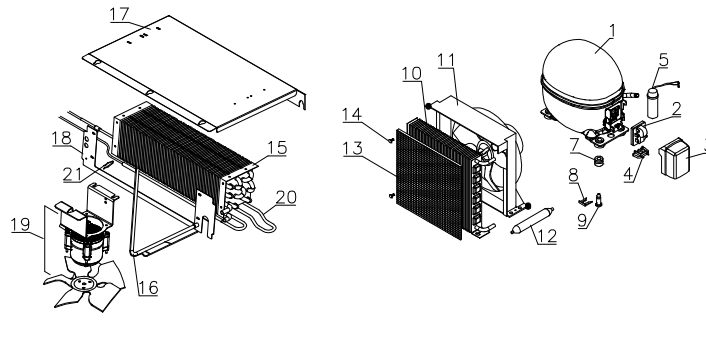
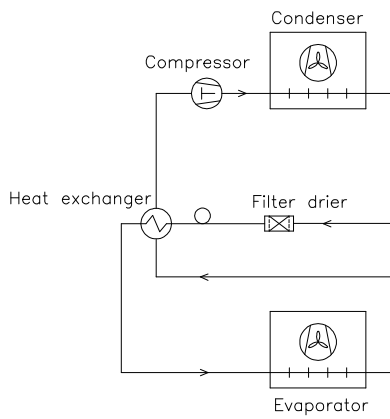


Item no.	Description	Gram part no.	Issued	Deleted
1	Compressor DLE10KK	506000006	1315	4020
1	Compressor HZK80AA	506000009	4020	
2	Starting device	453050180	1315	4020
2	Terminal board	453050181	4020	
3	Cover	452440296	1315	4020
3	Cover	452440307	4020	
4	Cord relief	452440300	1315	4020
5	Run capacitor 3 μ F	451723522	1315	
6	PTC cover	452440290	1315	4020
7	Rubber bush	760080519	1315	
8	Compressor clip	760082367	1315	
9	Compressor screw	760082711	1315	
10	Condenser	765080161	1315	
11	Cond.fan guard complete w/Elco fan	763254060	1315	
12	Filter drier	762900157	1315	
13	Air filter	761114415	1315	
14	Attachment plug	765081250	1315	
15	Evaporator	762900196	1315	
16	Heat exchanger	762900068	1315	
17	Evaporator suspension	763251229	1315	
18	Evaporator cover	763251230	1315	
19	Evaporator fan	765072102	1315	4020
19	Evaporator fan complete	761250780	4020	

1315 - 4020

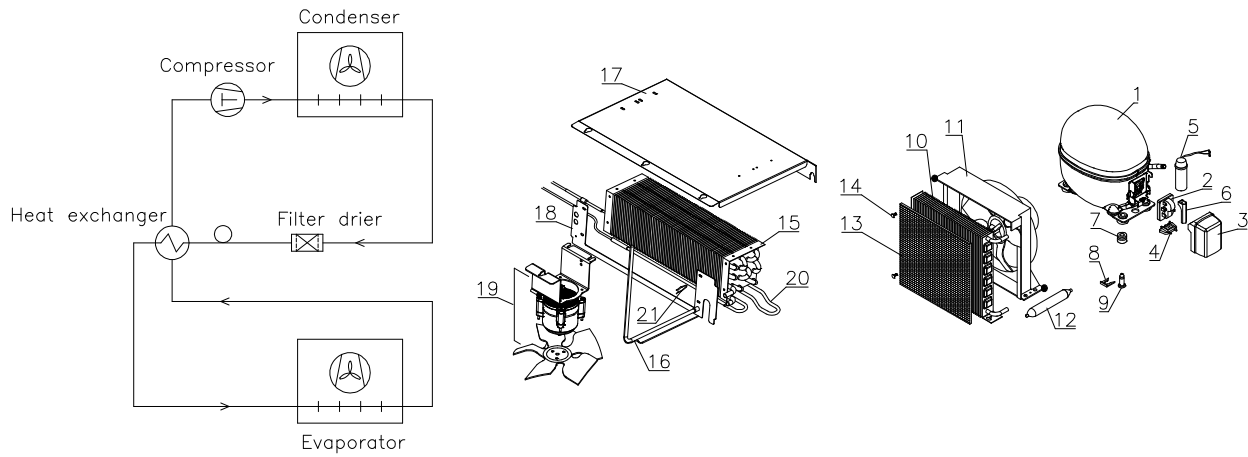


4020 -



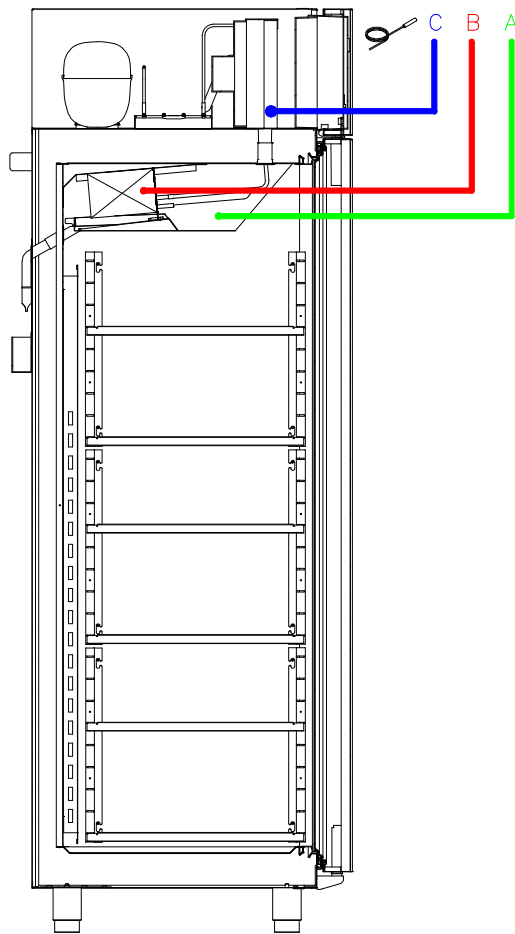
Item no.	Description	Gram part no.	Issued	Deleted
1	Compressor DLE10KK	506000006	1315	4020
1	Compressor HZK80AA	506000009	4020	
2	Starting device	453050180	1315	4020
2	Terminal board	453050181	4020	
3	Cover	452440296	1315	4020
3	Cover	452440307	4020	
4	Cord relief	452440300	1315	4020
5	Run capacitor 3µF	451723522	1315	
6	PTC cover	452440290	1315	4020
7	Rubber bush	760080519	1315	
8	Compressor clip	760082367	1315	
9	Compressor screw	760082711	1315	
10	Condenser	765080161	1315	
11	Cond.fan guard complete w/Elco fan	763254060	1315	
12	Filter drier	762900157	1315	
13	Air filter	761114415	1315	
14	Attachment plug	765081250	1315	
15	Evaporator	762900196	1315	
16	Heat exchanger	762900068	1315	
17	Evaporator suspension	763251229	1315	
18	Evaporator cover	763251230	1315	
19	Evaporator fan	765072102	1315	4020
19	Evaporator fan complete	761250780	4020	
20	Defrost heater	765072055	1315	
21	Clip for defrost heater	763251227	1315	

F510



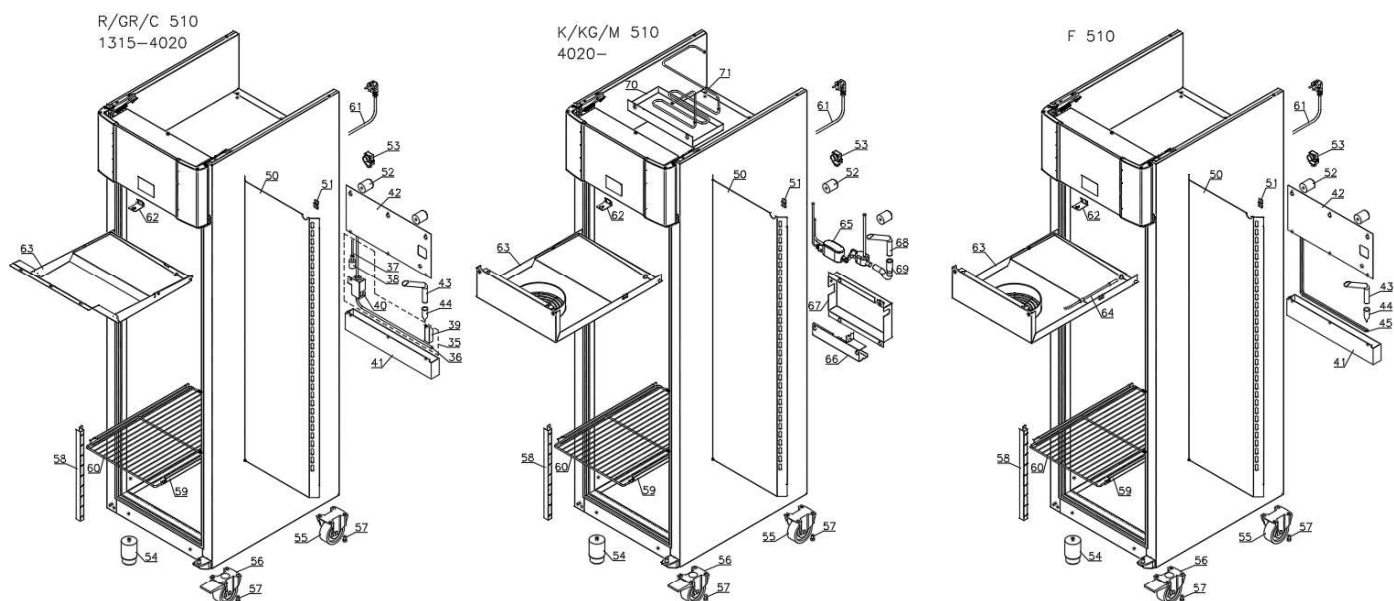
Item no.	Description	Gram part no.	Issued	Deleted
1	Compressor NLE 8.8 CN	502900018	1315	
2	Starting device	453050180	1315	
3	Cover	452440293	1315	
4	Cord relief	452440300	1315	
5	Run capacitor 4 μ F	451723517	1315	
6	PTC cover	452440290	1315	
7	Rubber bush	760080519	1315	
8	Compressor clip	760082367	1315	
9	Compressor screw	760082711	1315	
10	Condenser	765080162	1315	
11	Cond.fan guard complete w/Elco fan	763254085	1315	
12	Filter drier	765080157	1315	
13	Air filter	761114416	1315	
14	Attachment plug	765081250	1315	
15	Evaporator	762900196	1315	
16	Heat exchanger	762900069	1315	
17	Evaporator suspension	763251229	1315	
18	Evaporator cover	763251230	1315	
19	Evaporator fan	765072102	1315	2616
19	Evaporator fan complete	761250780	2616	
20	Defrost heater	765072055	1315	
21	Clip for defrost heater	763251227	1315	

Sensors and sensor positioning



Item no.	Description	Gram part no.	Issued	Deleted
A	Room sensor	453531500	1315	
B	Defrost sensor	453531501	1315	
C	Condenser sensor	453531500	1315	

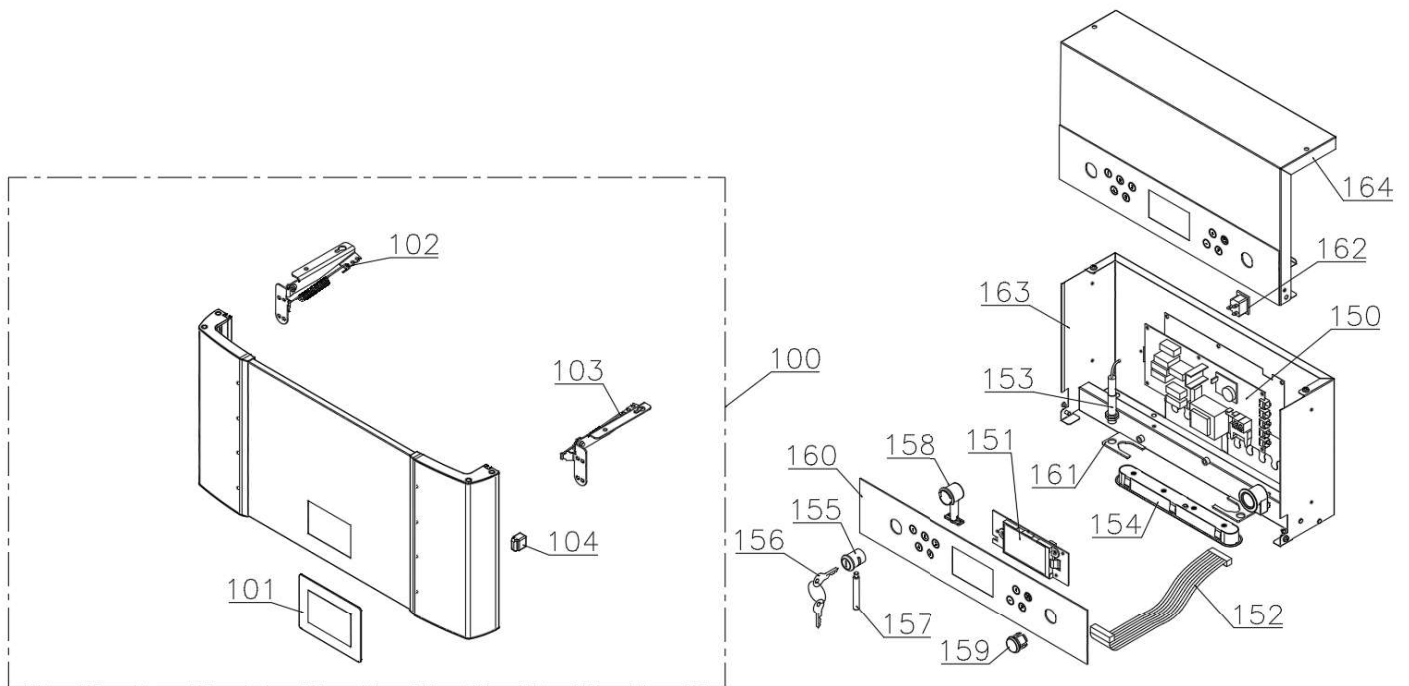
Cabinet parts



Item no.	Description	Gram part no.	Issued	Deleted
35	Re-evaporation kit	763254026	1315	4020
36	Re-evaporation heater	765072862	1315	4020
37	Float switch	765072049	1315	4020
38	Plastic cap	450450080	1315	4020
39	Heater bracket	763250021	1315	4020
40	Heater/float switch bracket	763250020	1315	4020
41	Re-evaporation tray	765081149	1315	
42	Cover plate	763251894	1315	
43	Drain pipe	765081253	1315	
44	Water trap	760082891	1315	
45	Hot gas pipe for re-evaporation	762900063	1315	
50	Air distribution plate	763252611	1315	
51	Bracket	760250762	1315	
52	Distance bush	762251184	1315	
53	Air relief valve	765081206	1315	
54	Leg H=100-135 mm	765080118	1315	
54	Leg H=135-200 mm	765080115	1315	
54	Marine leg H=135-200 mm	765080060	1315	
55	Fixed castor H=109 mm	480270521	1315	
55	Fixed castor H=125 mm	480270520	1315	
56	Swivel castor H=109 mm	480270522	1315	
56	Swivel castor H=125 mm	480260050	1315	
57	Screw M8x12	422715000	1315	
58	Wall rail	763251919	1315	
59	Shelf support set of 2	818885005	1315	
60	Stainless wire shelf	818979907	1315	
60	Grey wire shelf	818979908	1315	
61	Power cord EU	765072566	1315	
61	Power cord UK	765072567	1315	
61	Power cord DK	765072568	1315	
62	Lock bracket	763252160	1315	4617
62	Lock bracket	763252149	4617	

Item no.	Description	Gram part no.	Issued	Deleted
63	Drip tray, K/M/KG	763251882	1315	4020
63	Drip tray, K/M/KG	763256458	4020	
63	Drip tray, F	763251882	1315	2616
63	Drip tray, F	763256458	2616	
64	Drain line heater	761250763	1315	
65	Condensate pump	765072202	4020	
66	Bracket for pump	763251972	4020	
67	Cover for pump	763251973	4020	
68	Drain pipe	765081253	4020	
69	Drain hose w/trap	765081176	4020	
70	Drain pan	760245531	4020	
71	Hot gas pipe for re-evaporation	760000358	4020	

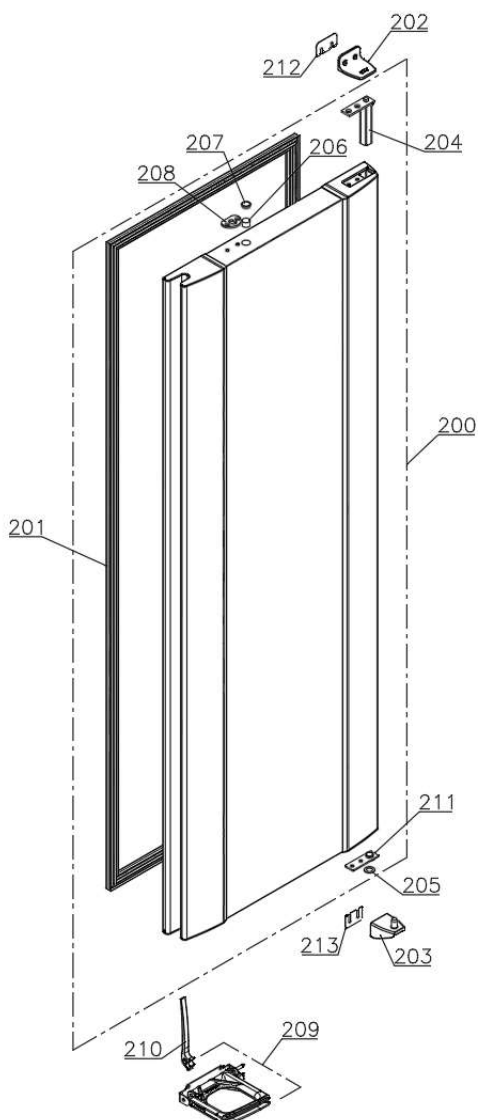
Electrical parts



Item no.	Description	Gram part no.	Issued	Deleted
100	Front panel complete, Stainless	763254037	1315	
100	Front panel complete, Alu look	763254038	1315	
100	Front panel complete, White	763254039	1315	
101	Display window	763252049	1315	
102	Hinge complete, left	763252060	1315	
103	Hinge complete, right	763252066	1315	
104	Panel spacer	763252058	1315	
150	Controller PCB, power part FS K01	763256000	1315	
150	Controller PCB, power part FS M03	763256001	1315	2419
150	Controller PCB, power part FS M09	763256021	2419	
150	Controller PCB, power part FS F01	763256002	1315	
151	Display PCB	612900053	1315	
152	Ribbon cable L=700	453582047	1315	
153	Door switch	450400113	1315	
154	LED light bar	450742025	1315	
155	Lock comb. A151	765080322	1315	
156	Key A151	765080399	1315	
157	Lock pin	761114666	1315	4617
157	Lock pin	763252153	4617	0320
157	Lock pin	765080088	0320	
158	Lock housing	762110280	1315	4617
158	Lock housing	765080047	4617	
159	Plug for lock housing	763252152	1315	
160	Display label	765040680	1315	4617
160	Display label	765040677	4617	
161	Clip for LED bar	763252161	1315	
162	Appliance inlet	451022002	1315	
163	Junction box	763252158	1315	4617
163	Junction box	763252129	4617	
164	Cover for junction box	763254109	1315	4617
164	Cover for junction box	763254110	4617	

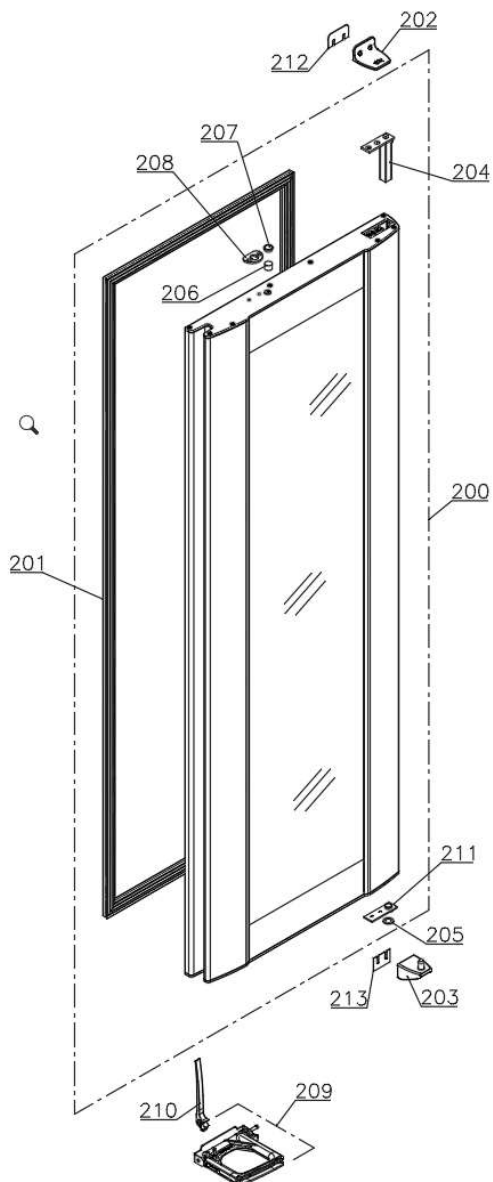
Door

Solid door



Item no.	Description	Gram part no.	Issued	Deleted
200	Door complete right, Stainless	763254040	1614	
200	Door complete right, Alu look	763254041	1614	
200	Door complete right, White	763254042	1614	
200	Door complete left, Stainless	763254043	1614	
200	Door complete left, Alu look	763254044	1614	
200	Door complete left, White	763254045	1614	
201	Gasket	763251725	1614	
202	Top hinge	763251747	1614	
203	Bottom hinge	763251746	1614	
204	Self closing device	763251880	1614	
205	Washer	760250527	1614	
206	Magnet for door switch	450401002	1614	
207	Plastic plug, white	760082756	1614	
207	Plastic plug, grey	765081220	1614	
208	Lock bracket	763251090	1614	
209	Foot pedal, right	763251812	1614	
209	Foot pedal, left	763251813	1614	
210	Pedal arm	763251802	1614	
211	Hinge bearing complete	761220982	1614	
212	Top hinge shim pad	763251748	1614	
213	Bottom shim pad	763251749	1614	

Glass door



Item no.	Description	Gram part no.	Issued	Deleted
200	Glass door, right	763252211	1614	
201	Gasket	763251725	1614	
202	Top hinge	763251747	1614	
203	Bottom hinge	763251746	1614	
204	Self closing device	763251880	1614	
205	Washer	760250527	1614	2122
206	Magnet for door switch	450401003	1614	
207	Plastic plug, white	760082756	1614	
207	Plastic plug, grey	765081220	1614	
208	Lock bracket	763251093	1614	
209	Foot pedal, right	763251812	1614	
209	Foot pedal, left	763251813	1614	
210	Pedal arm	763251802	1614	
211	Hinge bearing complete	763271755	1614	
212	Top hinge shim pad	763251748	1614	
213	Bottom shim pad	763251749	1614	

Notes
