

Spare parts list

COMPACT

R/GR/C/F 600

Item number: 765042509

Release date: 22.09.21

Released by: JABP

Revision date: 03.01.2024 / JOLU

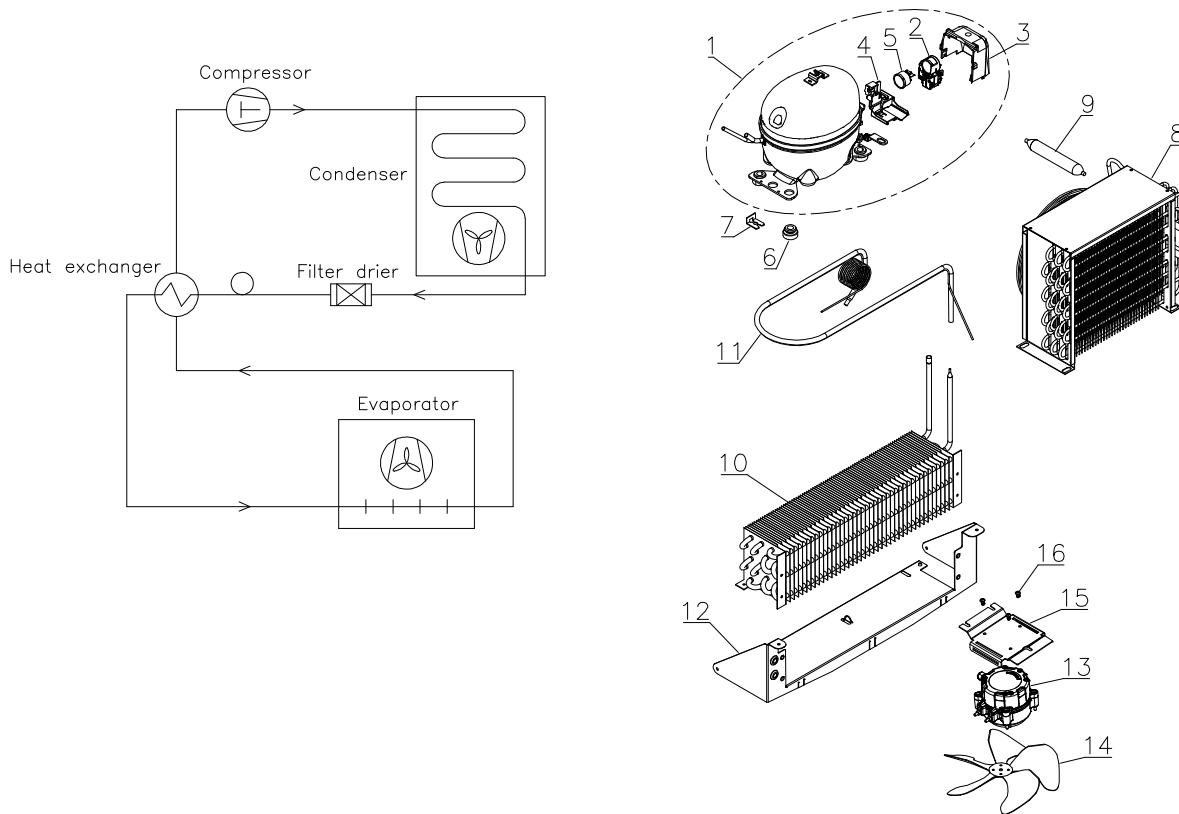
Revision no.: 001

Content

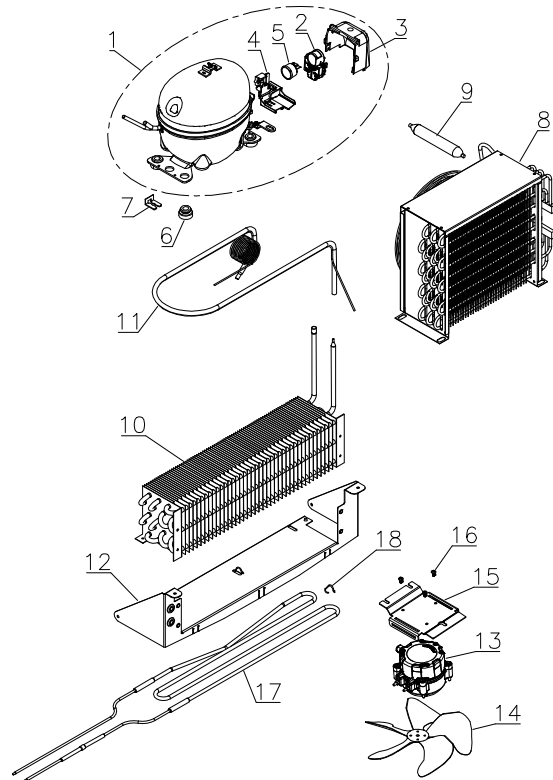
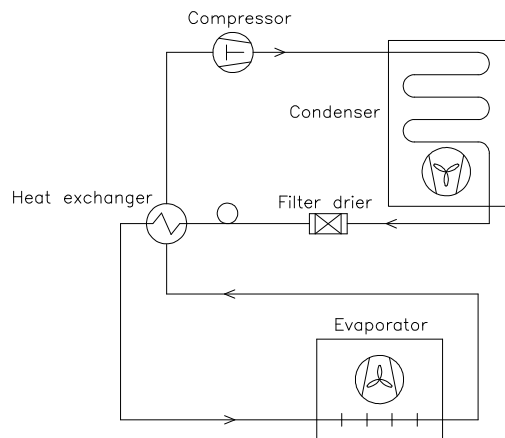
Refrigeration system parts	3
Sensors and sensor positioning	6
Cabinet parts	7
Electrical parts	9
Door	10
Notes	12

Refrigeration system parts

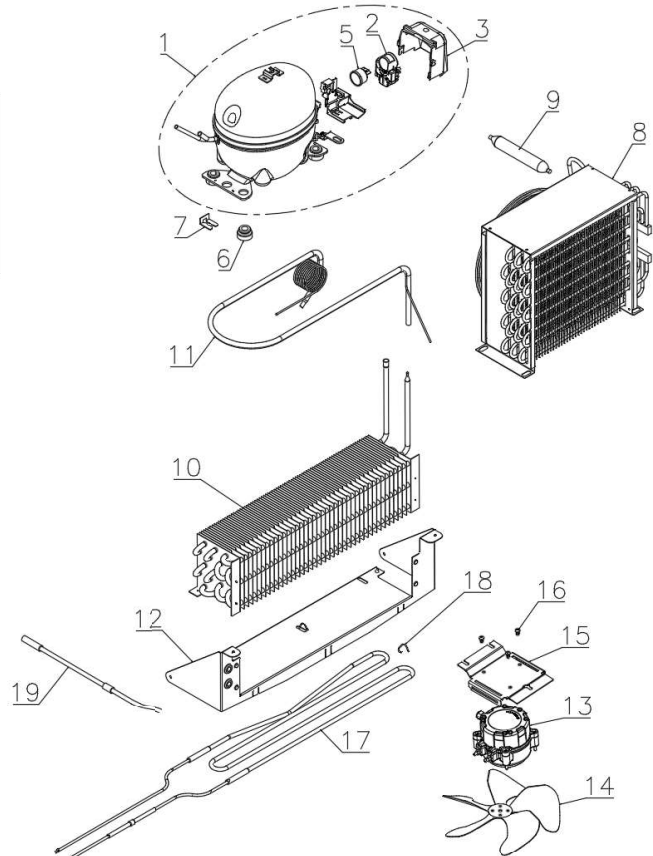
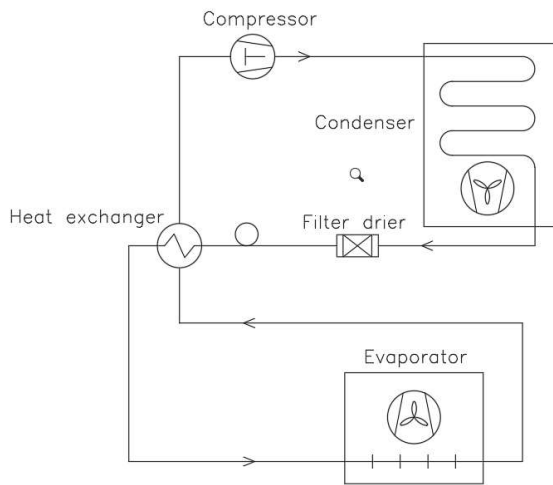
R/GR 600



Item no.	Description	Gram part no.	Issued	Deleted
1	Compressor EMY3118Y complete	502900111	4921	
2	Starter PTC group	453050200	4921	
3	Cover	452440021	4921	
4	Anchorage assembly	452440020	4921	
5	Protector	452440603	4921	
6	Rubber bush	760080519	4921	
7	Compressor clip	760082367	4921	
8	Condenser complete	765080302	4921	
9	Filter drier	762900157	4921	
10	Evaporator	765080594	4921	
11	Heat exchanger	762222406	4921	
12	Evaporator suspension	762220325	4921	
13	Evaporator fan motor	765073315	4921	
14	Fan blade	610620017	4921	
15	Fan bracket	762221501	4921	
16	Screw M4x8	420168174	4921	

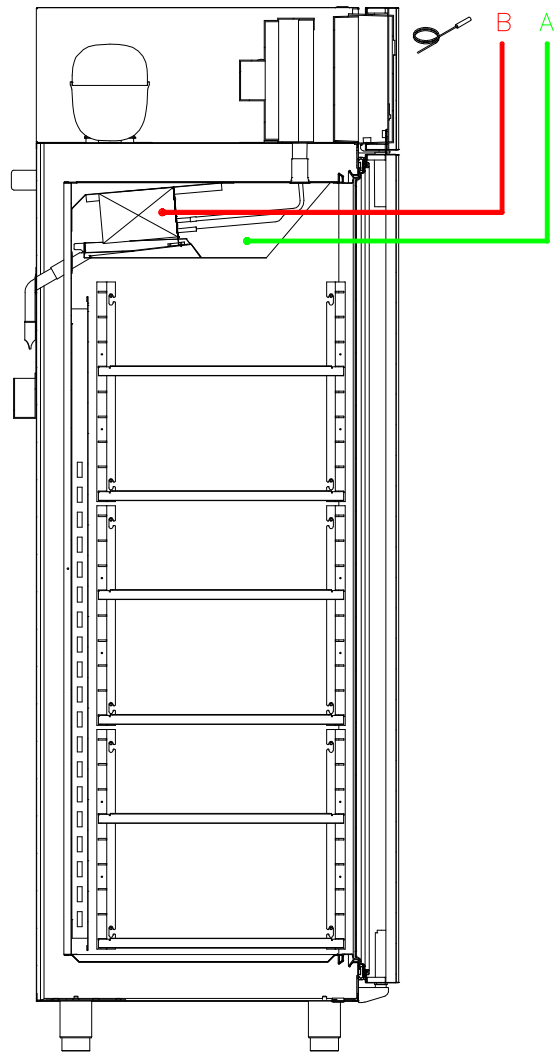


Item no.	Description	Gram part no.	Issued	Deleted
1	Compressor EMY3118Y complete	502900111	4921	
2	Starter PTC group	453050200	4921	
3	Cover	452440021	4921	
4	Anchorage assembly	452440020	4921	
5	Protector	452440603	4921	
6	Rubber bush	760080519	4921	
7	Compressor clip	760082367	4921	
8	Condenser complete	765080302	4921	
9	Filter drier	762900157	4921	
10	Evaporator	765080594	4921	
11	Heat exchanger	762222406	4921	
12	Evaporator suspension	762220325	4921	
13	Evaporator fan motor	765073315	4921	
14	Fan blade	610620017	4921	
15	Fan bracket	762221501	4921	
16	Screw M4x8	420168174	4921	
17	Defrost heater	765072110	4921	
18	Clip for defrost heater	761254427	4921	



Item no.	Description	Gram part no.	Issued	Deleted
1	Compressor EMX3140U complete	502900114	4921	
2	Starter PTC group	410588001	4921	
3	Cover	452440189	4921	
5	Protector	410690083	4921	
6	Rubber bush	760080519	4921	
7	Compressor clip	760082367	4921	
8	Condenser complete	765080302	4921	
9	Filter drier	762900157	4921	
10	Evaporator	765080594	4921	
11	Heat exchanger	762222407	4921	
12	Evaporator suspension	762220325	4921	
13	Evaporator fan motor	765073315	4921	
14	Fan blade	610620017	4921	
15	Fan bracket	762221501	4921	
16	Screw M4x8	420168174	4921	
17	Defrost heater	765072110	4921	
18	Clip for defrost heater	761254427	4921	
19	Drain line heater	765072218	4921	

Sensors and sensor positioning

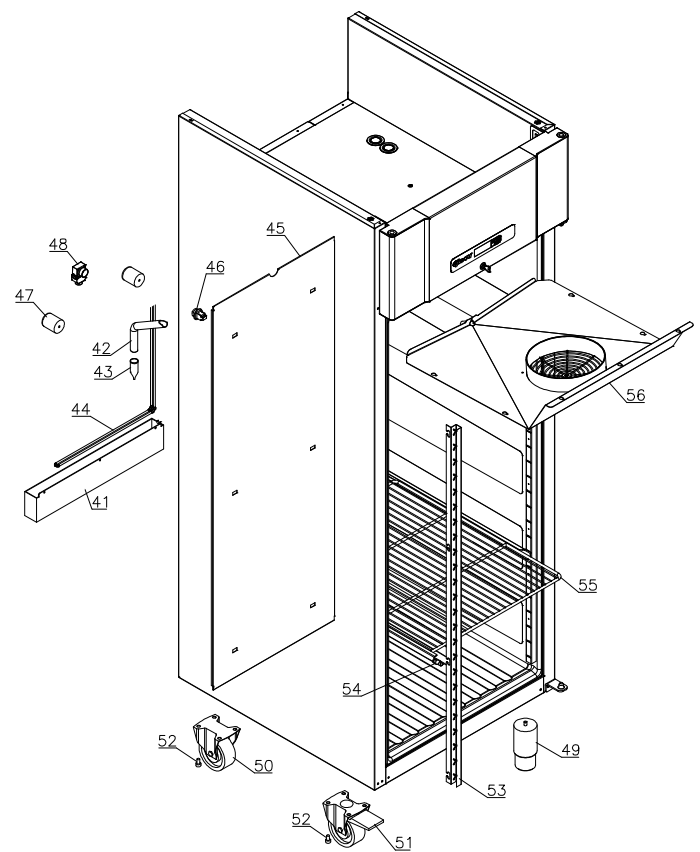
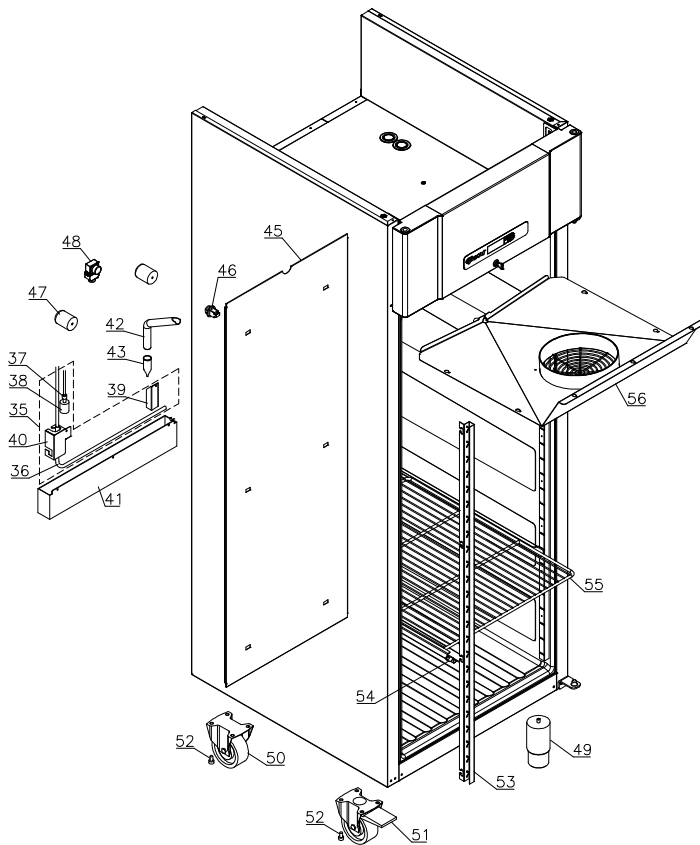


Item no.	Description	Gram part no.	Issued	Deleted
A	Room sensor	453531535	4921	
B	Defrost sensor	453531537	4921	

Cabinet parts

R/GR/C 600

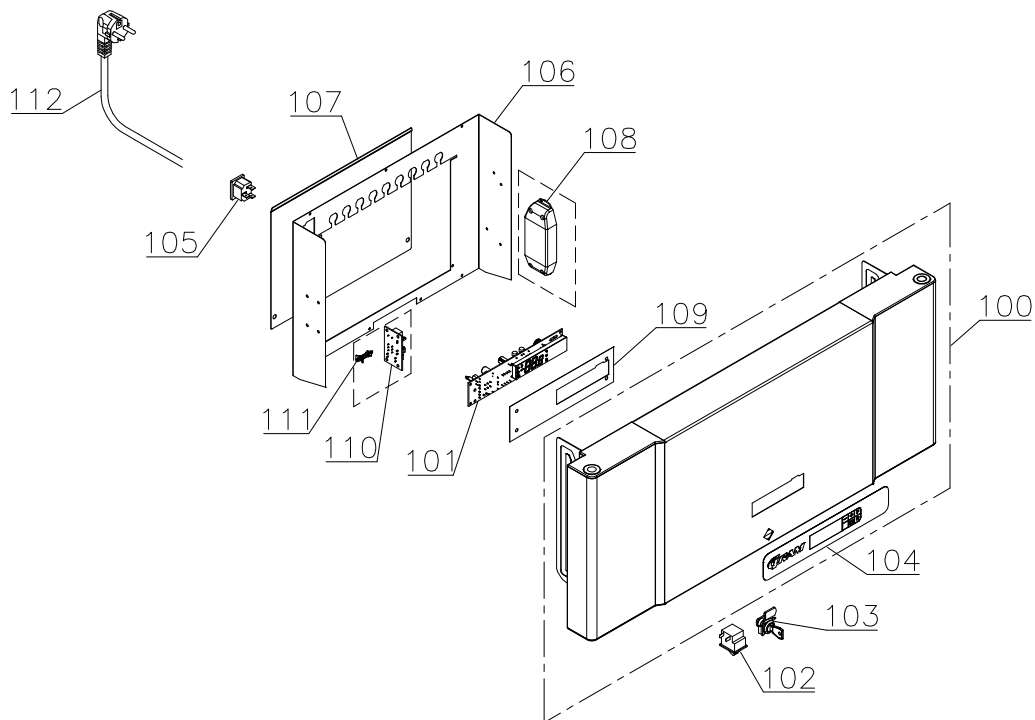
F 600



Item no.	Description	Gram part no.	Issued	Deleted
35	Re-evaporation kit	762220010	4921	
36	Re-evaporation heater	765072862	4921	
37	Float switch	765072049	4921	
38	Plastic cap	450450080	4921	
39	Heater bracket	763250021	4921	
40	Heater/float switch bracket	763250020	4921	
41	Re-evaporation tray	765081149	4921	
42	Drain pipe	765081253	4921	
43	Water trap	760082891	4921	
44	Hot gas pipe for re-evaporation	762900053	4921	
45	Air distribution plate	761220331	4921	
46	Suspension plug	765081214	4921	
47	Distance bush	762251184	4921	
48	Air relief valve	765081206	4921	
49	Leg H=135-200 mm	765080115	4921	
50	Fixed castor H=125 mm	480270520	4921	
51	Swivel castor H=125 mm	480260050	4921	
52	Screw M8x12	422715000	4921	

Item no.	Description	Gram part no.	Issued	Deleted
53	Wall rail front, shelf	761256462	4921	
53	Wall rail back, shelf	761220336	4921	
53	Wall rail front, Baker 46x61	761220363	4921	
53	Wall rail back, Baker 46x61	761220364	4921	
53	Wall rail front, Baker 40x60	761220361	4921	
53	Wall rail back, Baker 40x60	761220362	4921	
53	Wall rail front, Baker 47x63	761220367	4921	
53	Wall rail back, Baker 47x63	761220368	4921	
54	Shelf support set	818880003	4921	
54	Support set, Baker	818640083	4921	
55	Grey wire shelf	818880008	4921	
56	Drip tray complete	761221430	4921	

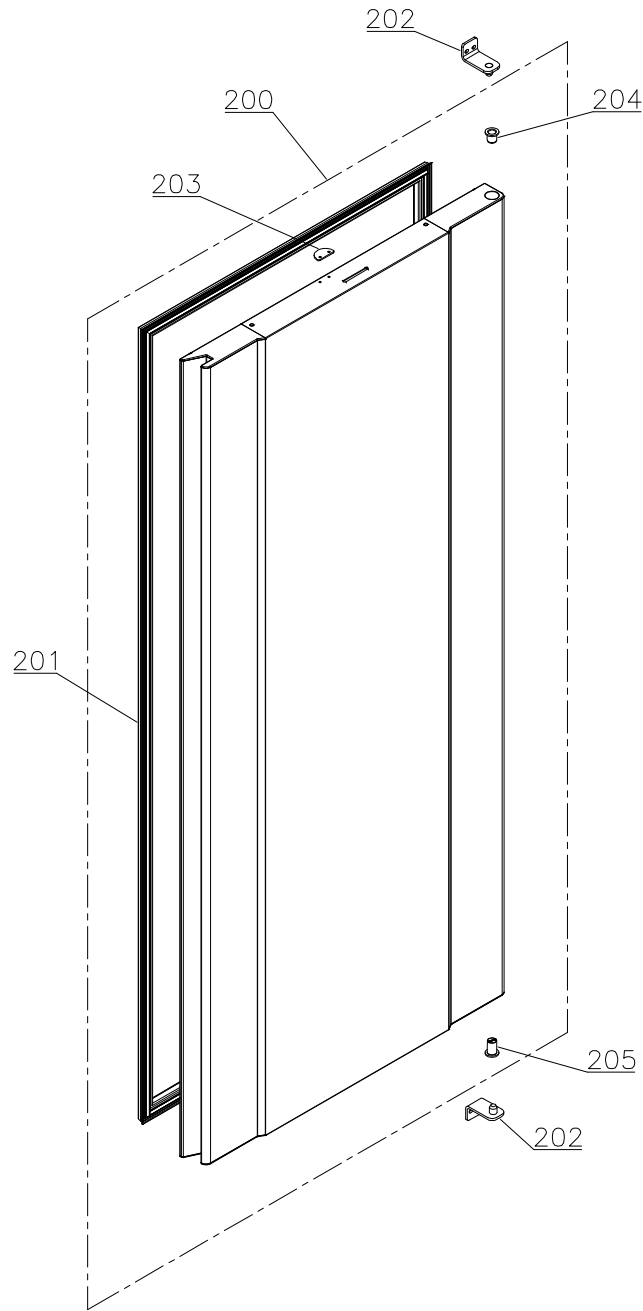
Electrical parts



Item no.	Description	Gram part no.	Issued	Deleted
100	Front panel complete K/M/F 620 R	762224001	4921	
100	Front panel complete K/M/F 620 L	762224002	4921	
100	Front panel complete KG 620 L	762224003	4921	
100	Front panel complete KG 620 R	762224004	4921	
101	Controller PCB, K 620	453580604	4921	
101	Controller PCB, KG 620	453580605	4921	
101	Controller PCB, M 620	453580606	4921	
101	Controller PCB, F 620	453580607	4921	
102	Door switch	765070655	4921	
103	Lock complete	765081280	4921	
104	Display label K/M/F 620	762222659	4921	
104	Display label KG 620	762222660	4921	
105	Appliance inlet	451022002	4921	
106	Junction box	762221380	4921	
107	Cover for junction box	763251190	4921	
108	LED driver, KG 620	765072999	4921	
109	Controller protection foil	765040175	4921	
110	Expansion board, F 620	453580608	4921	
111	Spacer, F 620	451119526	4921	
112	Power cord EU	765072566	4921	
112	Power cord DK	765072568	4921	
112	Power cord UK	765072567	4921	

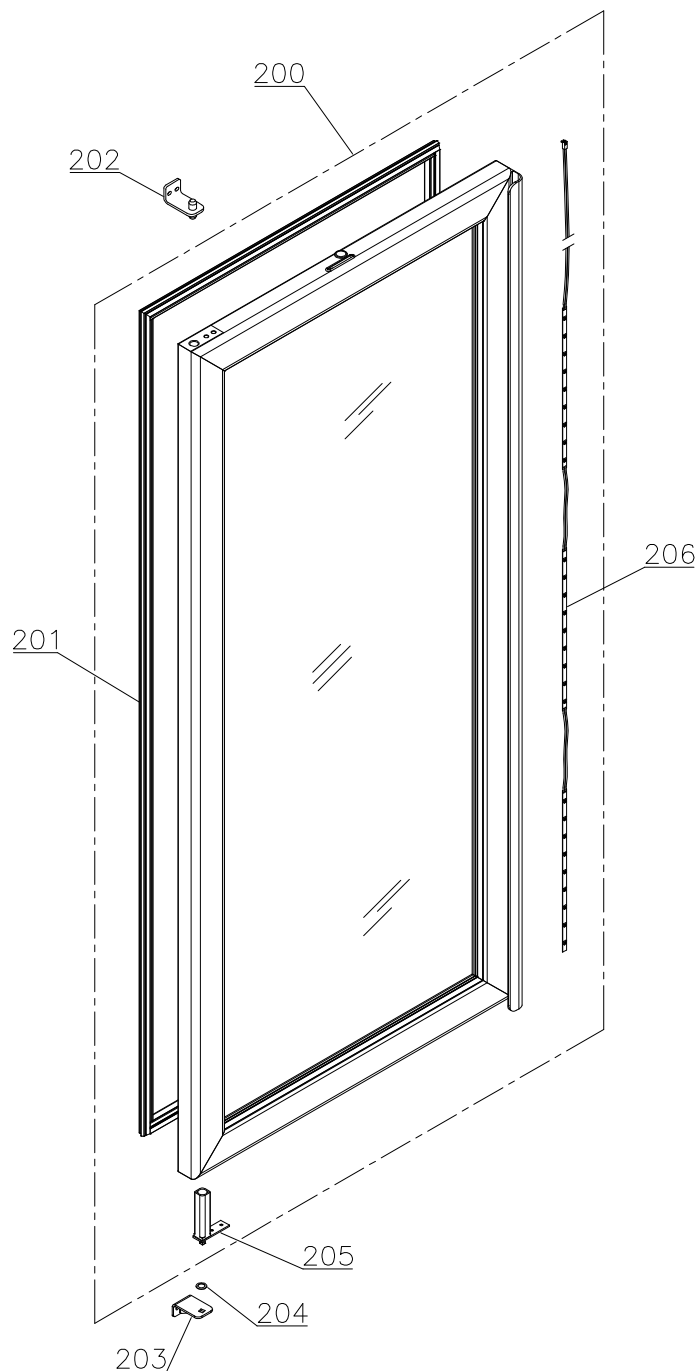
Door

R/C/F 600



Item no.	Description	Gram part no.	Issued	Deleted
200	Door complete, Stainless	762224005	4921	
200	Door complete, White	762224006	4921	
201	Gasket	761222863	4921	
202	Top/bottom hinge	761220387	4921	
203	Door switch bracket	760090905	4921	
204	Bush, top	760242041	4921	
205	Bush, bottom	761220936	4921	

GR 600



Item no.	Description	Gram part no.	Issued	Deleted
200	Glass door – right	761232965	4921	
200	Glass door – left	761230953	4921	
201	Door gasket	761222871	4921	
202	Hinge, top	762222831	4921	
203	Hinge, bottom - left	761222737	4921	
203	Hinge, bottom – right	761222824	4921	
204	Washer	420178003	4921	
205	Self-close device	761231745	4921	
206	LED light strip	761222718	4921	

Notes
