

# Spare parts list

## Baker SF 500

Item number: 765041913

Release date: 07.01.16

Released by: JABP

Revision date: 15.09.23

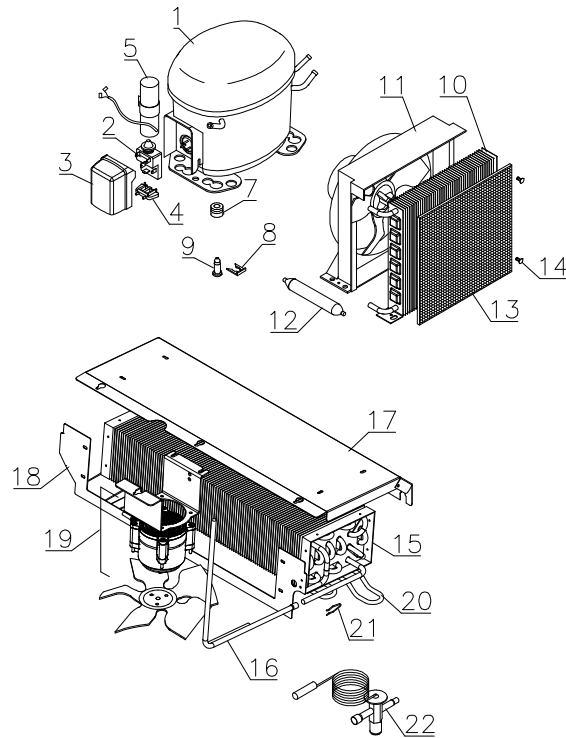
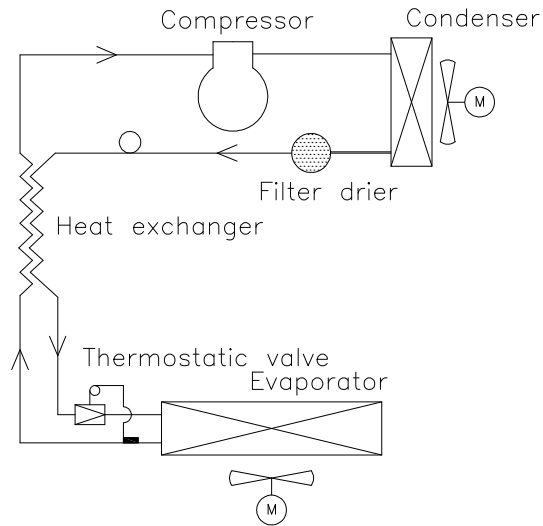
Revision no.: 010

# Content

Refrigeration system parts .....	3
Sensors and sensor positioning.....	5
Cabinet parts .....	6
Electrical parts.....	7
Door.....	8
Notes .....	9

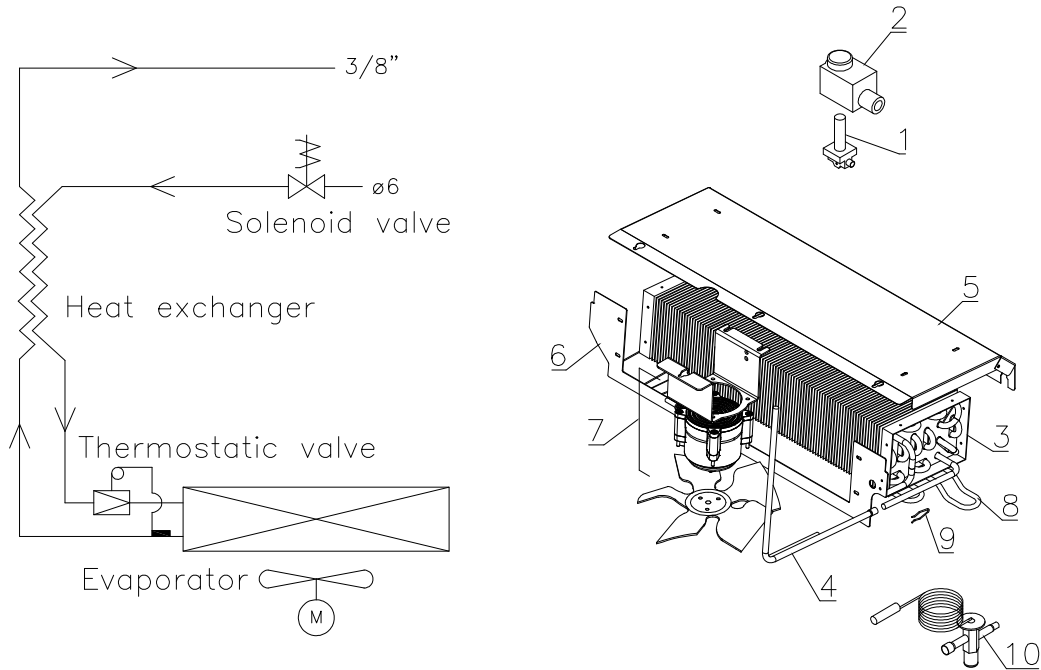
# Refrigeration system parts

SF 500 G



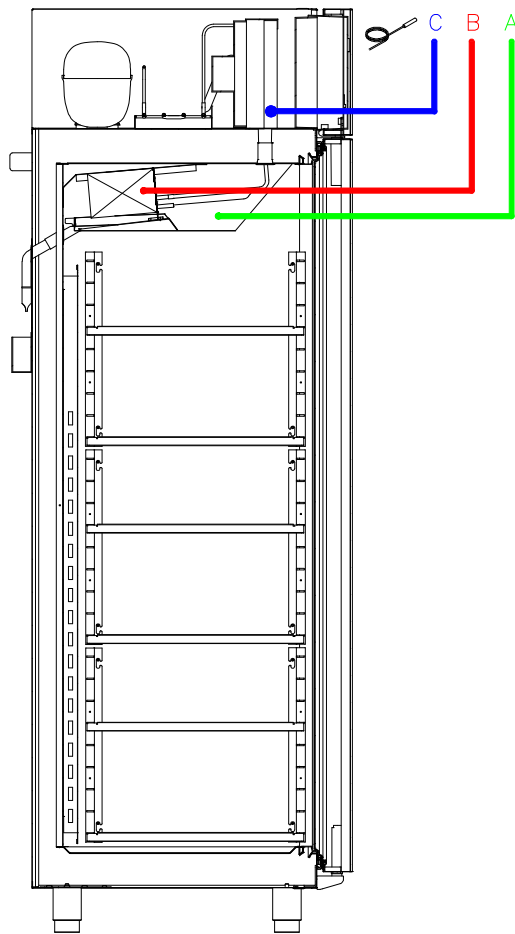
Item no.	Description	Gram part no.	Issued	Deleted
1	Compressor SC21CNX.2	502900014	0516	
2	Starting relay	410589043	0516	
3	Cover	452440280	0516	
4	Cord relief	452440292	0516	
5	Start capacitor 125 $\mu$ F	451720022	0516	
7	Rubber bush	760080519	0516	
8	Compressor clip	760082367	0516	
9	Compressor screw	760082711	0516	
10	Condenser	765080166	0516	
11	Fan guard complete	765080190	0516	
12	Filter drier	765080159	0516	
13	Air filter	761114423	0516	
14	Attachment plug	765081250	0516	
15	Evaporator	765080185	0516	
16	Heat exchanger	760080963	0516	
17	Evaporator suspension	763256306	0516	
18	Evaporator cover	763256300	0516	
19	Evaporator fan complete	761250780	0516	
20	Defrost heater	765072056	0516	
21	Clip for defrost heater	761254427	0516	
22	Thermostatic valve	413165018	0516	

SF 500 F



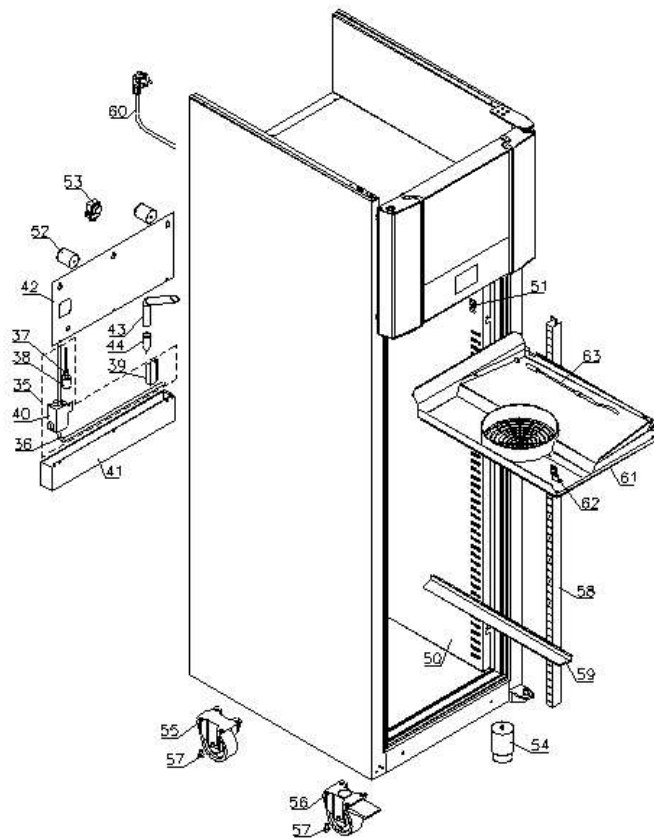
Item no.	Description	Gram part no.	Issued	Deleted
1	Solenoid valve	410104002	0516	
2	Coil for solenoid valve	610296105	0516	
3	Evaporator	765080185	0516	
4	Heat exchanger	760080963	0516	
5	Evaporator suspension	763256306	0516	
6	Evaporator cover	763256300	0516	
7	Evaporator fan complete	761250780	0516	
8	Defrost heater	765072056	0516	
9	Clip for defrost heater	761254427	0516	
10	Thermostatic valve R404A	413165010	0516	
10	Thermostatic valve Ru1	413165023	0516	

## Sensors and sensor positioning



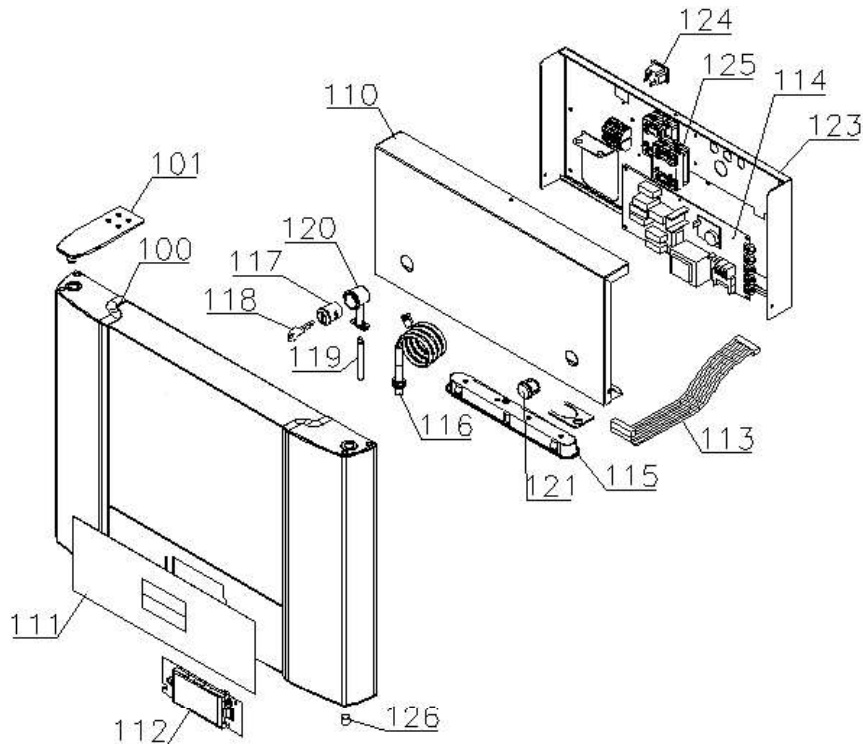
Item no.	Description	Gram part no.	Issued	Deleted
A	Room sensor	453531500	1316	
B	Defrost sensor	453531501	1316	
C	Condenser sensor	453531500	1316	

## Cabinet parts



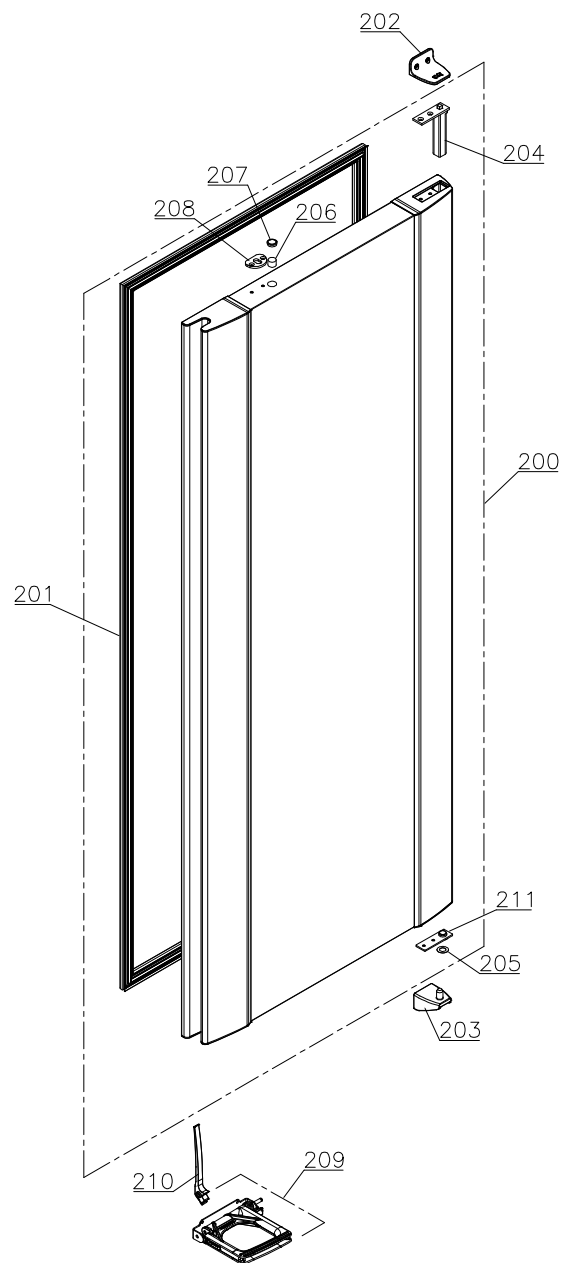
Item no.	Description	Gram part no.	Issued	Deleted
35	Re-evaporation kit	763254026	0516	
36	Re-evaporation heater	765072862	0516	
37	Float switch	765072049	0516	
38	Plastic cap	450450080	0516	
39	Heater bracket	763250021	0516	
40	Heater/float switch bracket	763250020	0516	
41	Re-evaporation tray	765081149	0516	
42	Cover plate	763251894	0516	
43	Drain pipe	765081253	0516	
44	Water trap	760082891	0516	
50	Air distribution plate	763257613	0516	
51	Bracket	760250762	0516	
52	Distance bush	762251184	0516	
53	Air relief valve	765081206	0516	
54	Leg H=100-135 mm	765080118	0516	
54	Leg H=135-200 mm	765080115	0516	
55	Fixed castor H=109 mm	480270521	0516	
55	Fixed castor H=125 mm	480270520	0516	
56	Swivel castor H=109 mm	480270522	0516	
56	Swivel castor H=125 mm	480260050	0516	
57	Screw M8x12	422715000	0516	
58	Wall rail	818875007	0516	
59	Supports set of 2	818885007	0516	
60	Power cord EU	765072566	0516	
60	Power cord UK	765072567	0516	
60	Power cord DK	765072568	0516	
61	Drain line heater	761250763	0516	
62	Drip tray complete	763256419	0516	
63	Drip tray bracket	761253442	0516	

## Electrical parts



Item no.	Description	Gram part no.	Issued	Deleted
100	Front panel complete, Stainless	763254079	0516	
101	Panel hinge	763251899	0516	
110	Junction box, front part	763252178	0516	
111	Display label	765040690	0516	
112	Display PCB	612900053	0516	
113	Ribbon cable L=1200	453582046	0516	
114	Controller PCB, power part PR P01	763256006	0516	
115	LED light bar	450742025	0516	
116	Door switch	450400113	0516	
117	Lock comb. A151	765080322	0516	
117	Lock comb. A152	765080328	0516	
117	Lock comb. A135	765080329	0516	
117	Lock comb. A136	765080346	0516	
117	Lock comb. A137	765080800	0516	
117	Lock comb. A138	765080801	0516	
117	Lock comb. A139	765080802	0516	
117	Lock comb. A140	765080803	0516	
117	Lock comb. A141	765080804	0516	
117	Lock comb. A142	765080805	0516	
117	Lock comb. A143	765080806	0516	
117	Lock comb. A144	765080807	0516	
118	Key A151	765080399	0516	
119	Lock pin	763252153	0516	0320
119	Lock pin	765080088	0320	
120	Lock housing	765080047	0516	
121	Plug for lock housing	763252152	0516	
122	Clip for LED bar	763252161	0516	
123	Junction box, back part	763252181	0516	
124	Appliance inlet	451022002	0516	
125	Solid State relay	450200300	0516	
126	Bush ø12	761254345	0516	

# Door



Item no.	Description	Gram part no.	Issued	Deleted
200	Door complete, Stainless	763254077	0316	
201	Gasket	763256704	0316	
202	Top hinge	763251747	0316	
203	Bottom hinge	763251746	0316	
204	Self closing device	761259909	0316	4718
204	Self closing device	763251745	4718	
205	Washer	760250527	0316	
206	Magnet for door switch	450401002	0316	
207	Plastic plug	765081220	0316	
208	Lock bracket	763251095	0316	
209	Foot pedal, right	763251812	0316	
209	Foot pedal, left	763251813	0316	
210	Pedal arm	763251802	0316	
211	Hinge bearing complete	761220980	0316	



## Notes
