

Spare parts list Gastro 710

Document number: 765041666

Release date: 12.06.14

Released by: JABP

Revision date: 04.01.24

Revision no.: 022

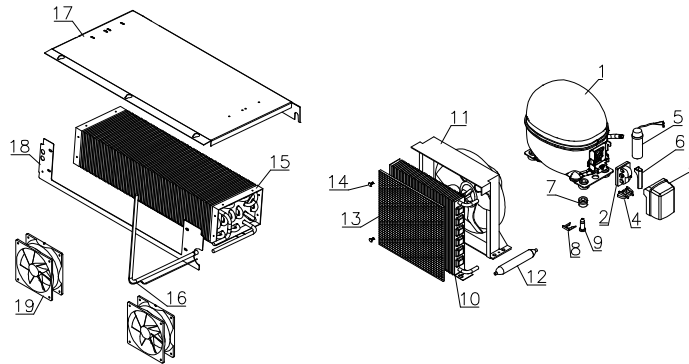
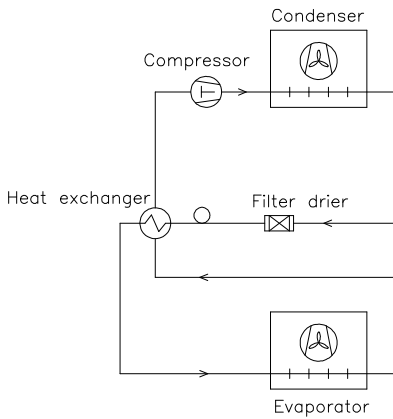
Content

Refrigeration system parts	3
Sensors and sensor positioning	6
Cabinet parts	7
Electrical parts	9
Door	10
Notes	12

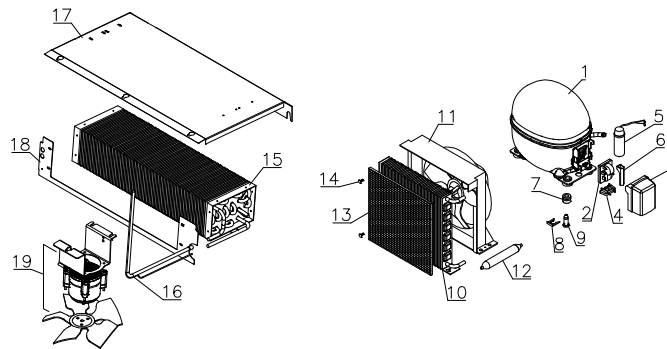
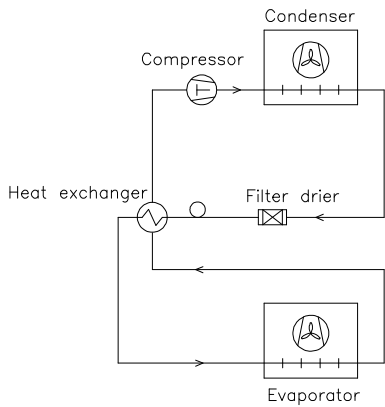
Refrigeration system parts

R/GR 82 G

2614 - 4020

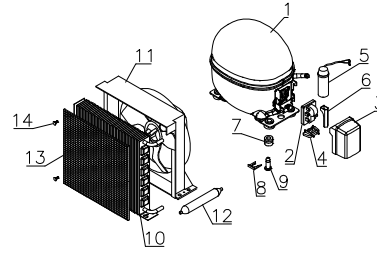
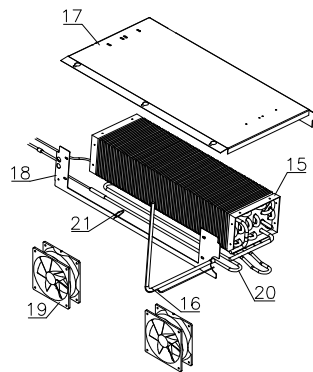
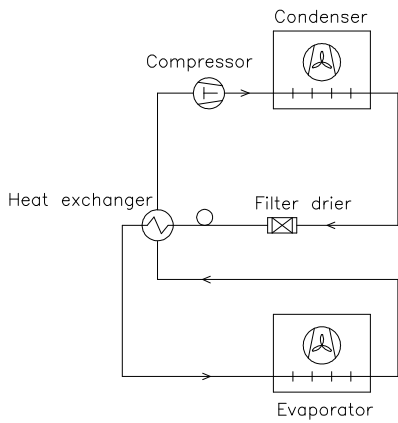


4020 -

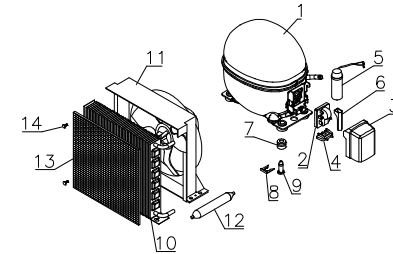
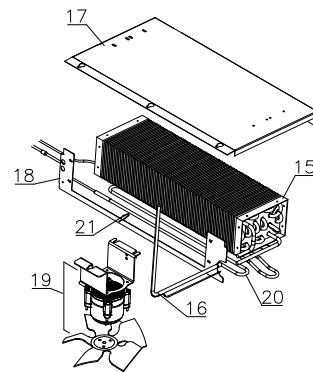
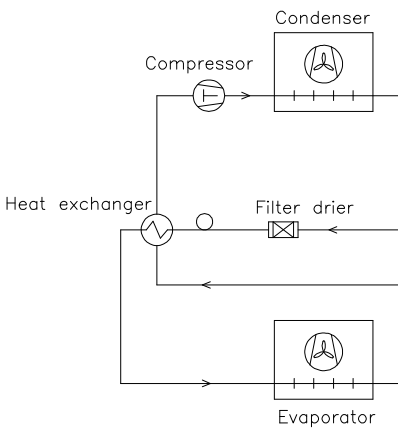


Item no.	Description	Gram part no.	Issued	Deleted
1	Compressor DLE10KK	506000006	2614	4020
1	Compressor HZK80AA	506000009	4020	
2	Starting device	453050180	2614	4020
2	Terminal board	453050181	4020	
3	Cover	452440296	2614	4020
3	Cover	452440307	4020	
4	Cord relief	452440300	2614	4020
5	Run capacitor 3 μ F	451723522	2614	
6	PTC cover	452440290	2614	4020
7	Rubber bush	760080519	2614	
8	Compressor clip	760082367	2614	
9	Compressor screw	760082711	2614	
10	Condenser	765080161	2614	
11	Cond.fan guard complete w/Elco fan	763254060	2614	
12	Filter drier	762900157	2614	
13	Air filter	761114415	2614	
14	Attachment plug	765081250	2614	
15	Evaporator	762900187	2614	
16	Heat exchanger	762900068	2614	
17	Evaporator suspension	763251222	2614	
18	Evaporator cover	763251223	2614	
19	Evaporator fan	765072102	2614	4020
19	Evaporator fan	761250780	4020	

2614 - 4020

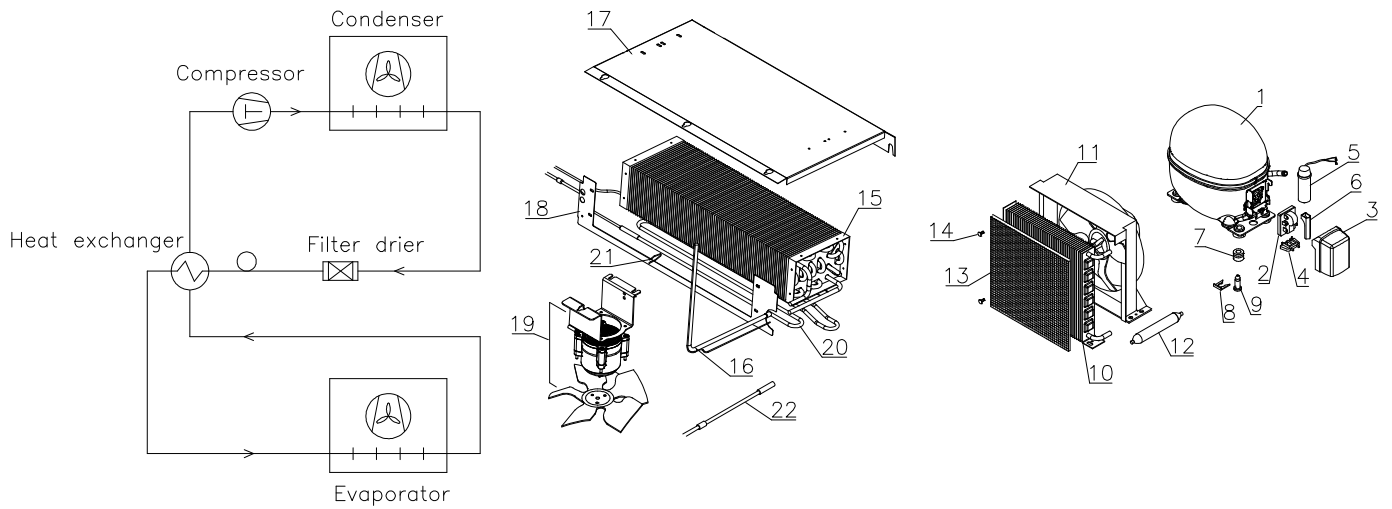


4020 -



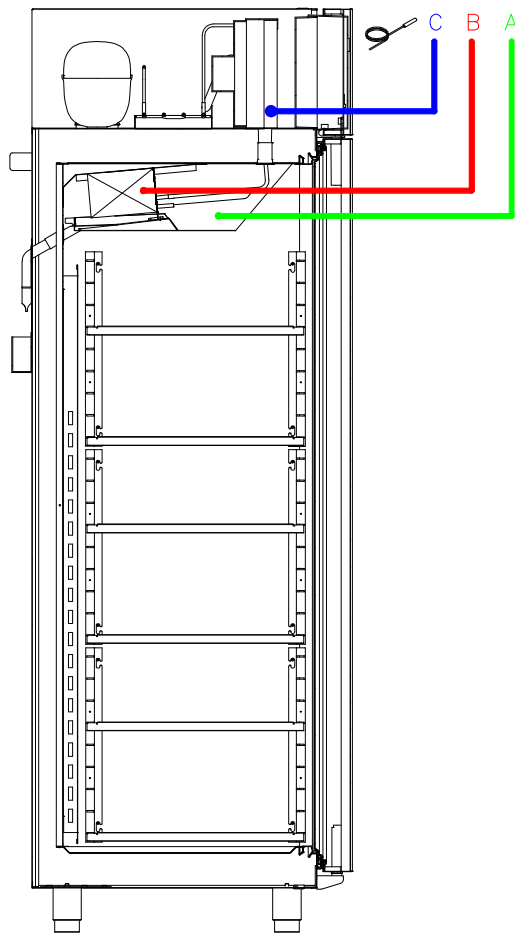
Item no.	Description	Gram part no.	Issued	Deleted
1	Compressor DLE10KK	506000006	2614	4020
1	Compressor HZK80AA	506000009	4020	
2	Starting device	453050180	2614	4020
2	Terminal board	453050181	4020	
3	Cover	452440296	2614	4020
3	Cover	452440307	4020	
4	Cord relief	452440300	2614	4020
5	Run capacitor 3 μ F	451723522	2614	
6	PTC cover	452440290	2614	4020
7	Rubber bush	760080519	2614	
8	Compressor clip	760082367	2614	
9	Compressor screw	760082711	2614	
10	Condenser	765080161	2614	
11	Cond.fan guard complete w/Elco fan	763254060	2614	
12	Filter drier	762900157	2614	
13	Air filter	761114415	2614	
14	Attachment plug	765081250	2614	
15	Evaporator	762900187	2614	
16	Heat exchanger	762900068	2614	
17	Evaporator suspension	763251222	2614	
18	Evaporator cover	763251223	2614	
19	Evaporator fan	765072102	2614	4020
19	Evaporator fan	761250780	4020	
20	Defrost heater	765071819	2614	
21	Clip for defrost heater	763251227	2614	

F 82 G



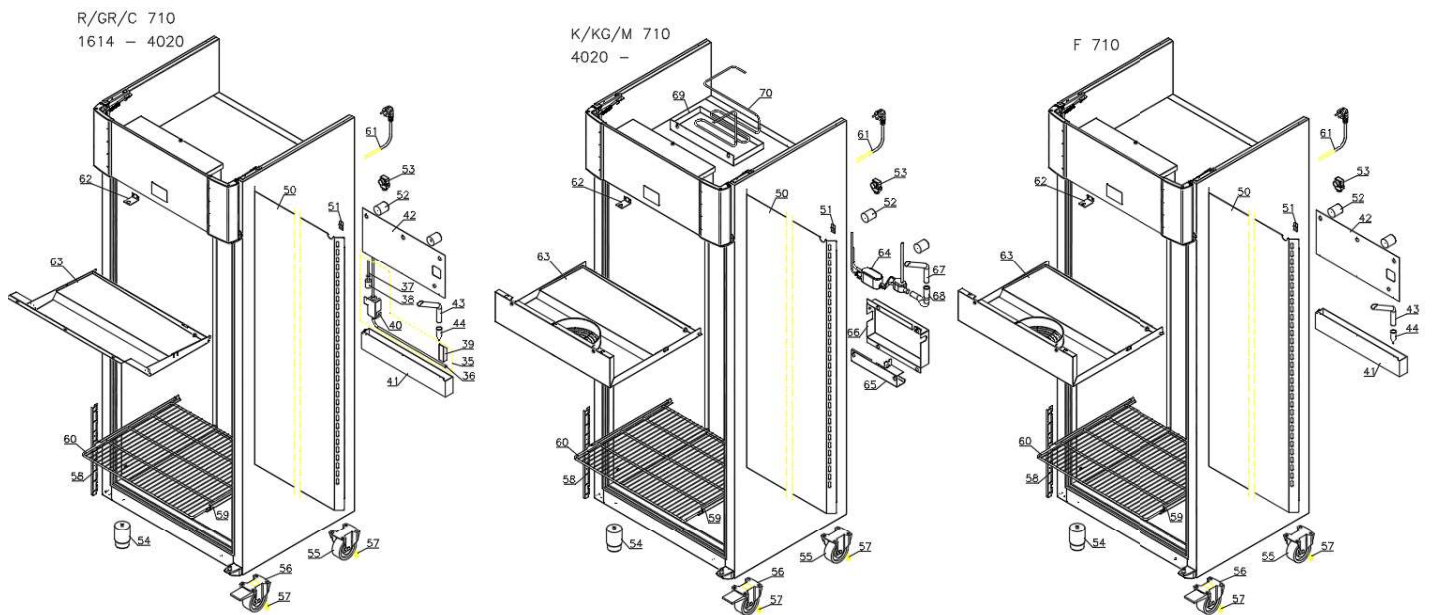
Item no.	Description	Gram part no.	Issued	Deleted
1	Compressor NLE11CNL	502900017	2614	
2	Starting device	453050180	2614	
3	Cover	452440293	2614	
4	Cord relief	452440300	2614	
5	Run capacitor 4 μ F	451723517	2614	
6	PTC cover	452440290	2614	
7	Rubber bush	760080519	2614	
8	Compressor clip	760082367	2614	
9	Compressor screw	760082711	2614	
10	Condenser	765080162	2614	
11	Cond.fan guard complete w/Elco fan	763254085	2614	
12	Filter drier	765080157	2614	
13	Air filter	761114416	2614	
14	Attachment plug	765081250	2614	
15	Evaporator	762900187	2614	2616
15	Evaporator	765080185	2616	
16	Heat exchanger	762900069	2614	2616
16	Heat exchanger	762900060	2616	
17	Evaporator suspension	763251222	2614	
18	Evaporator cover	763251223	2614	
19	Evaporator fan	765072102	2614	2616
19	Evaporator fan complete	761250780	2616	
20	Defrost heater	765071819	2614	
21	Clip for defrost heater	761254427	2614	
22	Drain line heater	761250763	2614	

Sensors and sensor positioning



Item no.	Description	Gram part no.	Issued	Deleted
A	Room sensor	453531500	2614	
B	Defrost sensor	453531501	2614	
C	Condenser sensor	453531500	2614	

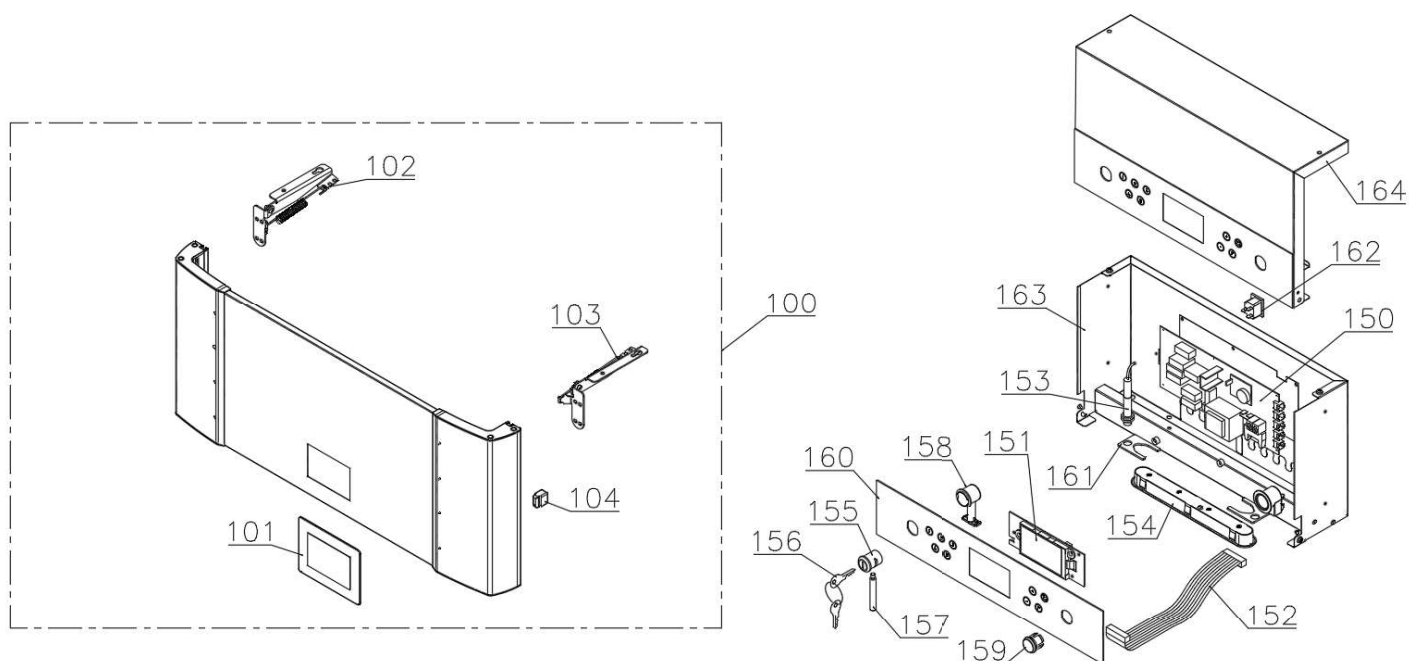
Cabinet parts



Item no.	Description	Gram part no.	Issued	Deleted
35	Re-evaporation kit	763254026	2614	4020
36	Re-evaporation heater	765072862	2614	4020
37	Float switch	765072049	2614	4020
38	Plastic cap	450450080	2614	4020
39	Heater bracket	763250021	2614	4020
40	Heater/float switch bracket	763250020	2614	4020
41	Re-evaporation tray	765081149	2614	
42	Cover plate	763251894	2614	
43	Drain pipe	765081253	3815	
44	Water trap	760082891	2614	
50	Air distribution plate	763252604	2614	
51	Bracket	760250762	2614	
52	Distance bush	762251184	2614	
53	Air relief valve	765081206	2614	
54	Leg H=100-135 mm	765080118	2614	
54	Leg H=135-200 mm	765080115	2614	
55	Fixed castor H=109 mm	480270521	2614	
55	Fixed castor H=125 mm	480270520	2614	
56	Swivel castor H=109 mm	480270522	2614	
56	Swivel castor H=125 mm	480260050	2614	
57	Screw M8x12	422715000	2614	
58	Wall rail, modular	763251914	2614	
58	Wall rail, full length	763251903	2614	
59	Shelf support set of 2	818885003	2614	
60	Stainless wire shelf	818799967	2614	
60	Grey wire shelf	818799968	2614	
61	Power cord EU	765072566	2614	
61	Power cord UK	765072567	2614	
61	Power cord DK	765072568	2614	
62	Lock bracket	763252160	2614	
62	Lock bracket	763252149	4617	
63	Drip tray, K/M/KG	763251872	2614	4020
63	Drip tray, K/M/KG	763256457	4020	
63	Drip tray, F	763256457	2614	

Item no.	Description	Gram part no.	Issued	Deleted
64	Condensate pump	765072202	4020	
65	Bracket for pump	763251972	4020	
66	Cover for pump	763251973	4020	
67	Drain pipe	765081253	4020	
68	Drain hose w/trap	765081176	4020	
69	Drain pan	760245531	4020	
70	Hot gas pipe for re-evaporation	760000358	4020	

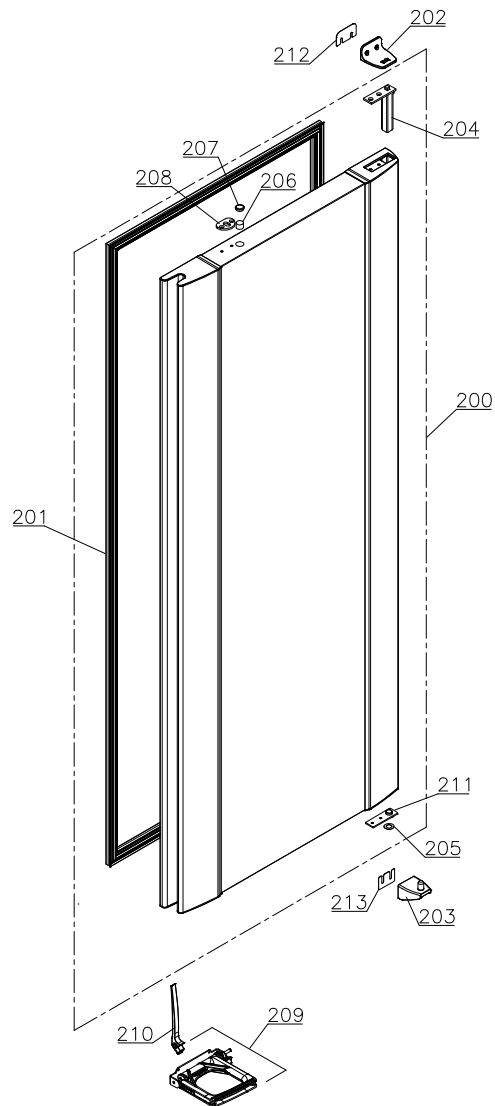
Electrical parts



Item no.	Description	Gram part no.	Issued	Deleted
100	Front panel complete, Stainless	763254027	2614	
100	Front panel complete, Alu look	763254029	2614	
100	Front panel complete, White	763254028	2614	
101	Display window	763252049	2614	
102	Hinge complete, left	763252060	2614	
103	Hinge complete, right	763252066	2614	
104	Panel spacer	763252058	2614	
150	Controller PCB, power part FS K01	763256000	2614	
150	Controller PCB, power part FS M03	763256001	2614	2419
150	Controller PCB, power part FS M09	763256021	2419	
150	Controller PCB, power part FS F01	763256002	2614	
151	Display PCB	612900053	2614	
152	Ribbon cable L=700	453582047	2614	
153	Door switch	450400113	2614	
154	LED light bar	450742025	2614	
155	Lock comb. A151	765080322	2614	
156	Key A151	765080399	2614	
157	Lock pin	761114666	2614	4617
157	Lock pin	763252153	4617	0320
157	Lock pin	765080088	0320	
158	Lock housing	762110280	2614	4617
158	Lock housing	765080047	4617	
159	Plug for lock housing	763252152	2614	
160	Display label	765040680	2614	4617
160	Display label	765040677	4617	
161	Clip for LED bar	763252161	2614	
162	Appliance inlet	451022002	2614	
163	Junction box	763252158	2614	4617
163	Junction box	763252129	4617	
164	Cover for junction box	763254109	2614	4617
164	Cover for junction box	763254110	4617	

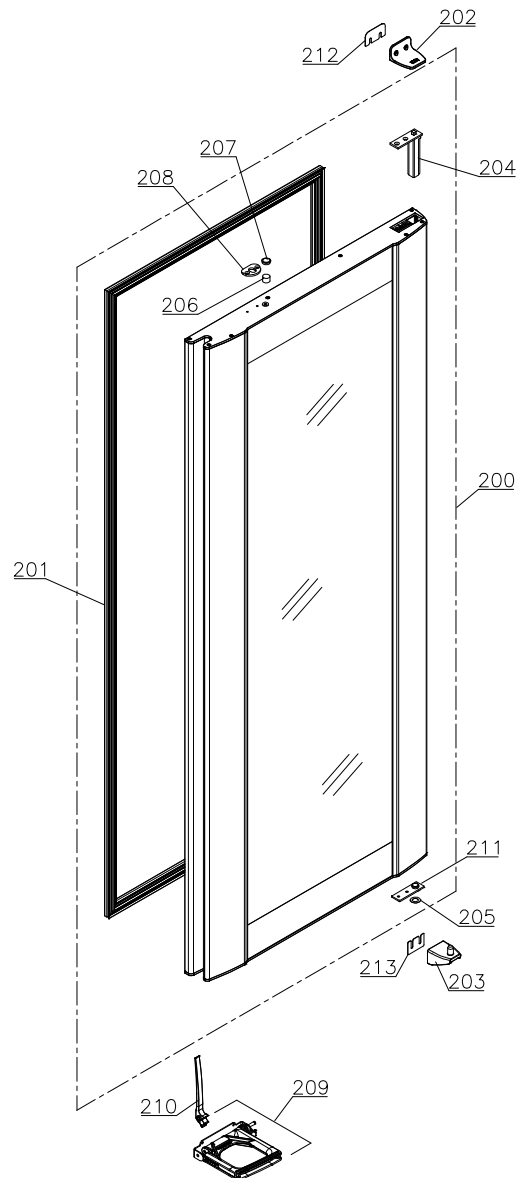
Door

Solid door



Item no.	Description	Gram part no.	Issued	Deleted
200	Door complete right, Stainless	763254030	2614	
200	Door complete right, Alu look	763254032	2614	
200	Door complete right, White	763254034	2614	
200	Door complete left, Stainless	763254031	2614	
200	Door complete left, Alu look	763254033	2614	
200	Door complete left, White	763254035	2614	
201	Gasket	763251717	2614	
202	Top hinge	763251747	2719	
203	Bottom hinge	763251746	2614	
204	Self closing device	763251880	2614	
205	Washer	760250527	2614	
206	Magnet for door switch	450401002	2614	
207	Plastic plug, white	760082756	2614	
207	Plastic plug, grey	765081220	2614	
208	Lock bracket	763251090	2614	
209	Foot pedal, right	763251812	2614	
209	Foot pedal, left	763251813	2614	
210	Pedal arm	763251802	2614	
211	Hinge bearing complete	761220982	2614	
212	Top hinge shim pad	763251748	2614	
213	Bottom hinge shim pad	763251749	2614	

Glass door



Item no.	Description	Gram part no.	Issued	Deleted
200	Glass door	763252212	2614	
201	Gasket	763251717	2614	
202	Top hinge	763251747	2614	
203	Bottom hinge	763251746	2614	
204	Self closing device	763251880	2614	
205	Washer	760250527	2614	2122
206	Magnet for door switch	450401003	2614	
207	Plastic plug, white	760082756	2614	
207	Plastic plug, grey	765081220	2614	
208	Lock bracket	763251093	2614	
209	Foot pedal, right	763251812	2614	
209	Foot pedal, left	763251813	2614	
210	Pedal arm	763251802	2614	
211	Hinge bearing complete	763251755	2614	
212	Top hinge shim pad	763251748	2614	
213	Bottom hinge shim pad	763251749	2614	

Notes
