

# Spare parts list

## Gastro R/C/F 2-3-4

Item number: 765042569

Release date: 14.02.22

Released by: JOLU

Revision date: 22.05.24/JOLU

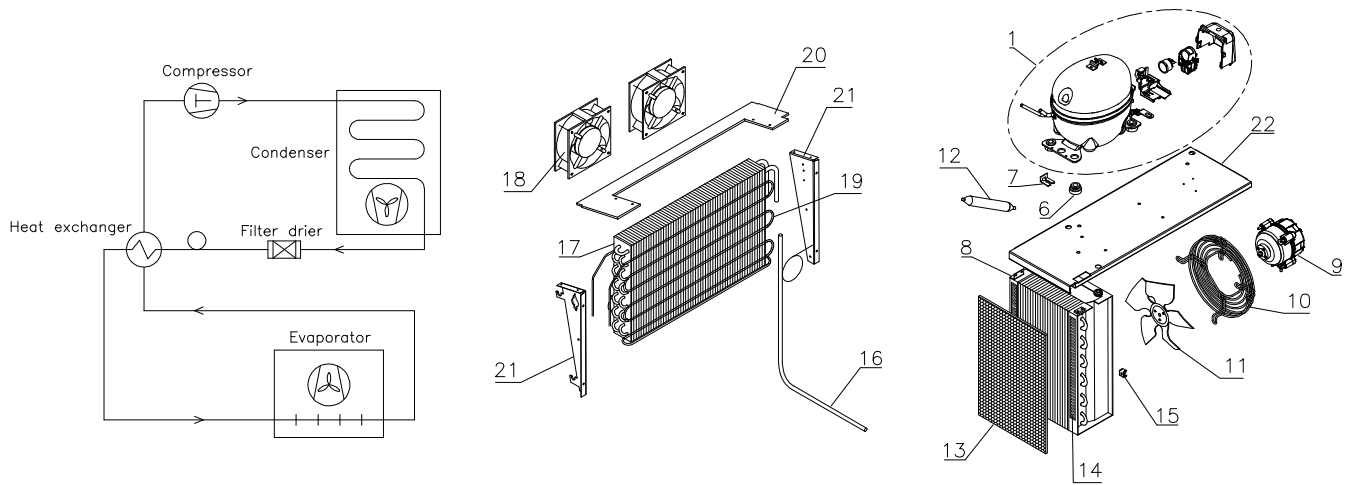
Revision no.: 003

# Content

Refrigeration system parts .....	3
Sensors and sensor positioning .....	5
Cabinet parts .....	6
Electrical parts .....	8
Door .....	9
Drawers .....	10
Worktops .....	12
Notes .....	15

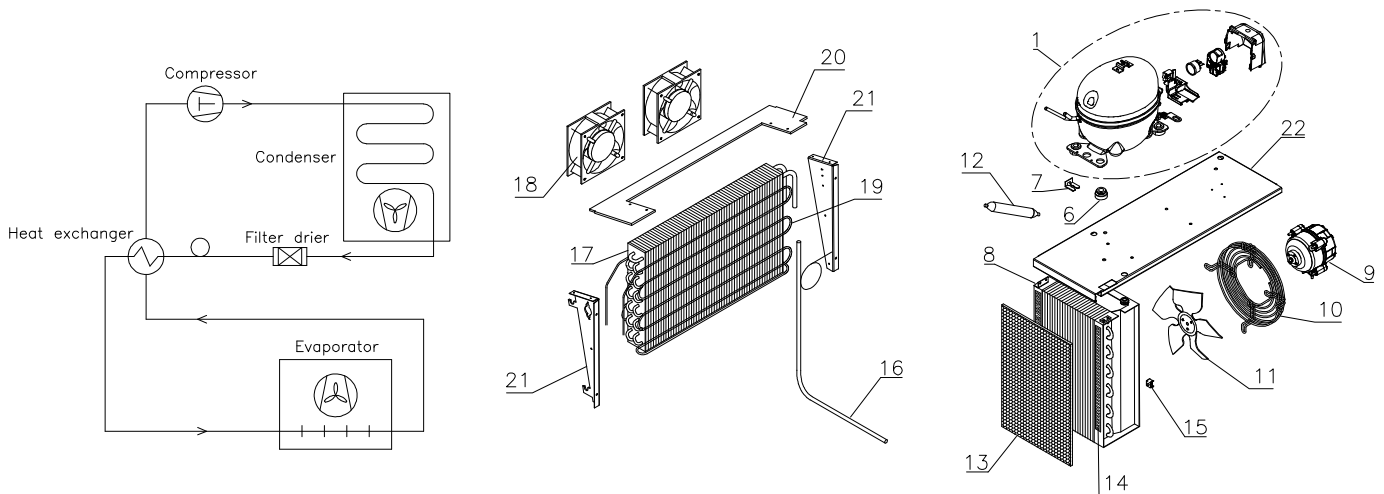
# Refrigeration system parts

R/C 2-3-4



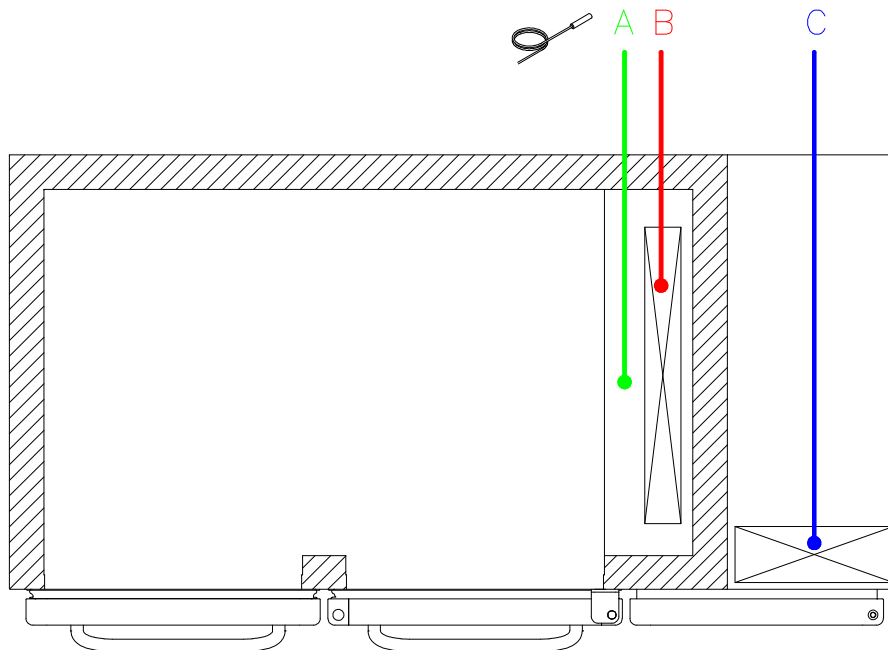
Item no.	Description	Gram part no.	Issued	Deleted
1	Compressor EMC3119U complete	502900117	0722	
6	Rubber bush	760080519	0722	
7	Clip for compressor fastening	760082367	0722	
8	Condenser	765080466	0722	
9	Condenser fan motor	765073330	0722	
10	Fan guard	765080209	0722	
11	Fan blade	610620019	0722	
12	Filter drier	765080156	0722	
13	Condenser filter	762110371	0722	
14	Velcro strip	761258973	0722	
15	Clip nut M5	765080565	0722	
16	Heat exchanger	762900218	0722	
17	Evaporator complete	762114000	0722	
17	Evaporator	765080370	0722	
18	Evaporator fan	765072102	0722	
19	Defrost heater 300 W	765072063	0722	
20	Evaporator cover	761114690	0722	
21	Evaporator suspension	762111253	0722	
22	Compressor base plate	762117725	0722	

**F 2-3-4**



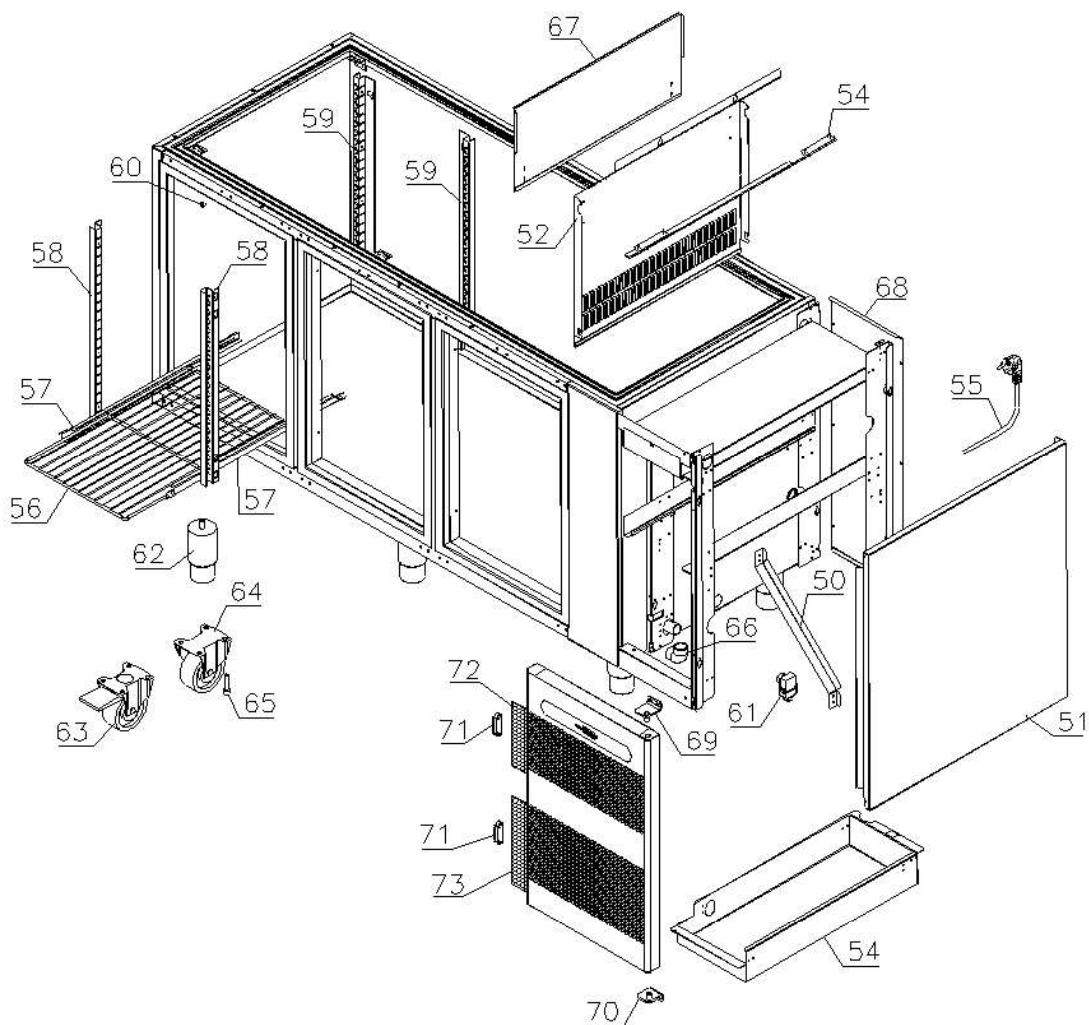
Item no.	Description	Gram part no.	Issued	Deleted
	<b>F 2/3</b>			
1	Compressor EMC3145U complete	502900118	0722	
	<b>F 4</b>			
1	Compressor EMC1150U complete	502900119	0722	
	<b>Common</b>			
6	Rubber bush	760080519	0722	
7	Clip for compressor fastening	760082367	0722	
8	Condenser	765080466	0722	
9	Condenser fan motor	765073347	0722	1322
9	Condenser fan motor	765073330	1422	
10	Fan guard	765080209	0722	
11	Fan blade	610620019	0722	
12	Filter drier	765080156	0722	
13	Condenser filter	762110371	0722	
14	Velcro strip	761258973	0722	
15	Clip nut M5	765080565	0722	
16	Heat exchanger F 1407/1807	762900219	0722	
16	Heat exchanger F 2207	762900220	0722	
17	Evaporator	765080370	0722	
18	Evaporator fan	765072102	0722	
19	Defrost heater 300 W	765072063	0722	
20	Evaporator cover	761114690	0722	
21	Evaporator suspension	762111253	0722	
22	Compressor base plate	762117725	0722	

## Sensors and sensor positioning



Item no.	Description	Gram part no.	Issued	Deleted
A	Room sensor	453531504	0722	
B	Defrost sensor	453531504	0722	
C	Condenser sensor	453531504	0722	

## Cabinet parts



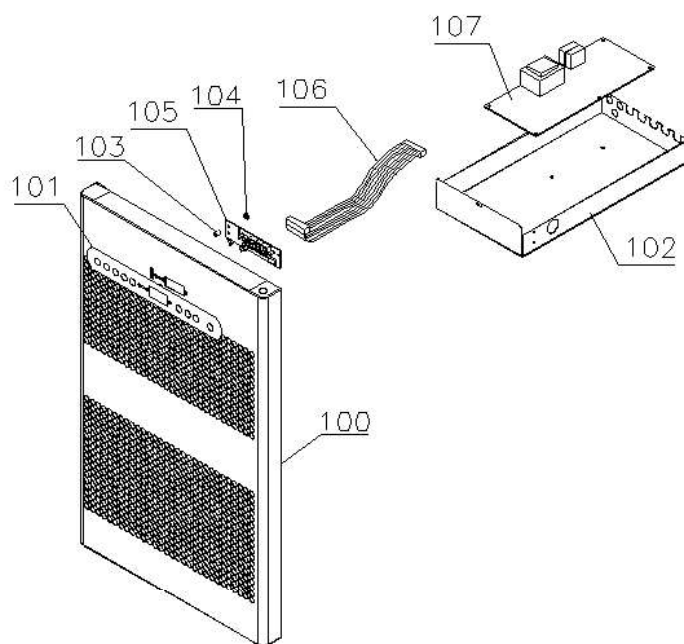
Item no.	Description	Gram part no.	Issued	Deleted
50	Cross brace	762117776	0722	
51	Compressor compartment cover	762117712	0722	
52	Cover for evaporator compartment	762117793	0722	
53	Fan plate	761114418	0722	
54	Re-evaporation tray	762117750	0722	
55	Lead and plug DK 3-pin	765072555	0722	
55	Lead and plug Schuko	765072554	0722	
55	Lead and plug Switzerland	765072569	0722	
55	Lead and plug GB	765072553	0722	
56	Shelf, stainless 530x325	818319901	0722	
57	Support rail set, left/right	818310006	0722	
58	Wall rail, front	762110440	0722	
59	Wall rail, back	762110441	0722	
60	Cover plug for M5	765080501	0722	
61	Equalizing valve	765081206	0722	
62	Leg, stainless H=130-200 mm	765080115	0722	
62	Leg, stainless H=180-250 mm	765080116	0722	
62	Leg, stainless H=230-300 mm	765080117	0722	

Item no.	Description	Gram part no.	Issued	Deleted
63	Castor wheel H=127	480260100	0722	
63	Castor wheel H=155	480260102	0722	
64	Castor wheel with brake H=127	480260050	0722	
64	Castor wheel with brake H=155	480260052	0722	
65	Screw M8x12	422715000	0722	
66	Elbow pipe	461430060	0722	
67	Air flow plate*	762117999	0722	
67	Air flow plate**	762117996	0722	
68	Backplate	762117716	0722	
69	Hinge for front panel, top	762115301	0722	
70	Hinge for front panel, bottom	762115300	0722	
71	Front panel magnet	761253312	0722	
72	Front panel filter 175x360	762110372	0722	
73	Front panel filter 240x360	762110373	0722	

\* Air flow plate 762117999: R/C 4 with doors/drawers/level worktop  
R/C 3 with drawers/level worktop

\*\* Air flow plate 762117996: All other options than the above

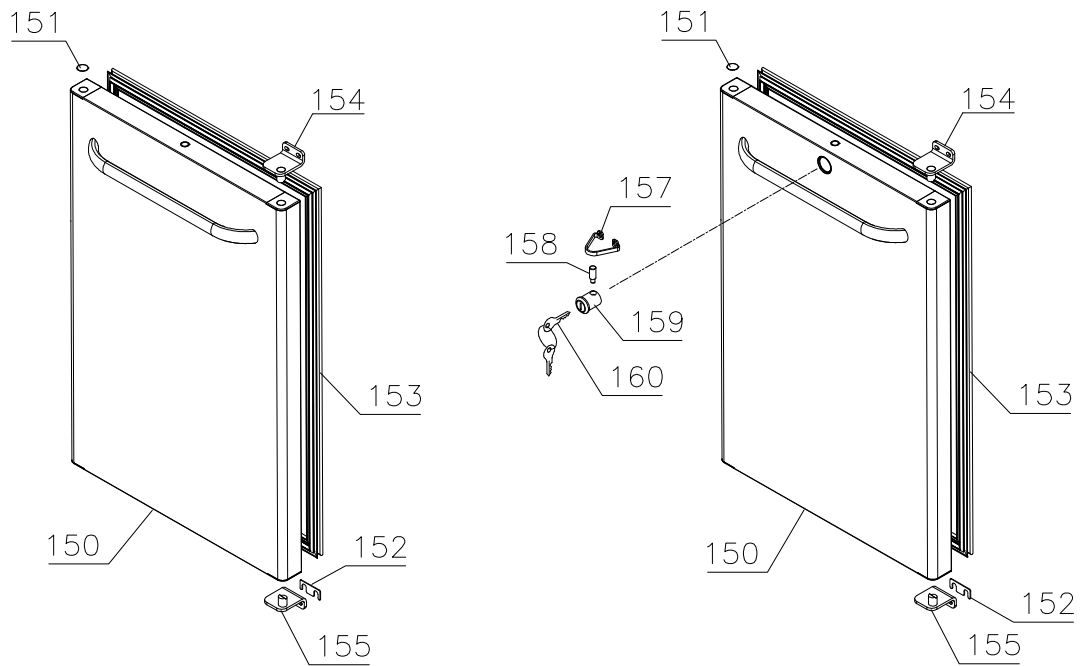
## Electrical parts



Item no.	Description	Gram part no.	Issued	Deleted
100	Control panel complete	762117882	0722	
101	Display label	765040641	0722	
102	Junction box	762117771	0722	
103	Spacer L=8,3mm	765080021	0722	
104	Hex. nut M3	421092003	0722	
105	Controller, display part	612900054	0722	
106	Ribbon cable	453582047	0722	
107	Controller, power part K (B1+)	761256118	0722	
107	Controller, power part M (B2+)	761256131	0722	
107	Controller, power part F (B3+)	761256159	0722	



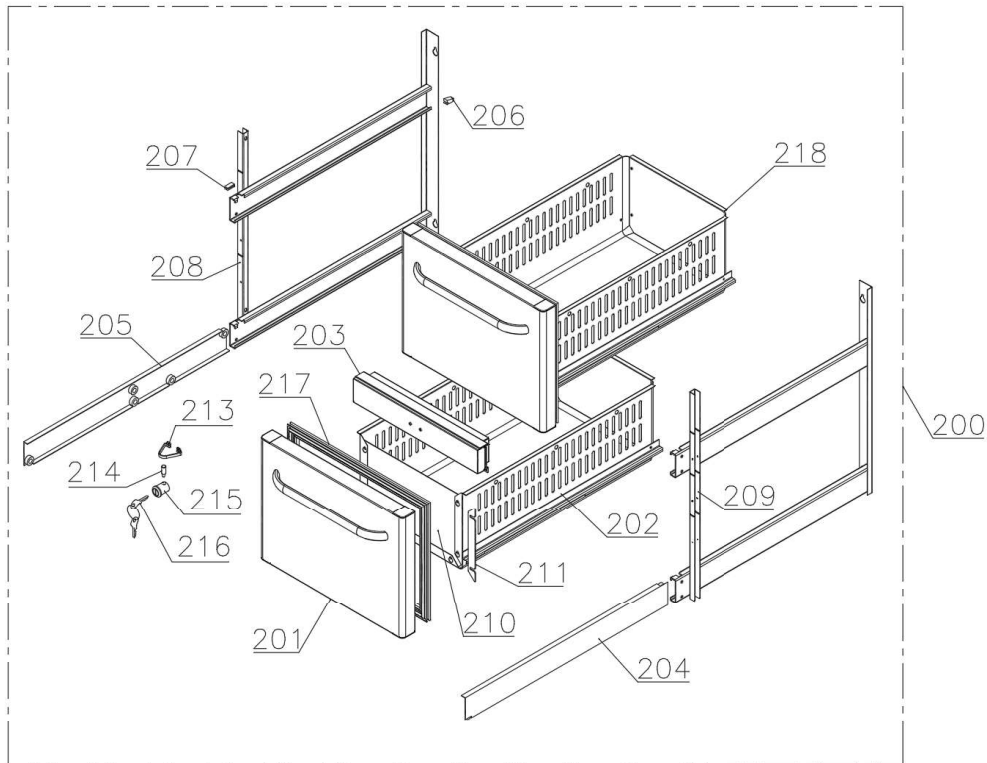
## Door



Item no.	Description	Gram part no.	Issued	Deleted
150	Door, left/right	762110708	0722	
150	Door, left/right for lock	762117302	0722	
151	Cover plug	762110281	0722	
152	Spacer for hinge	762110383	0722	
153	Gasket	762117080	0722	
154	Hinge, top right/bottom left	762115301	0722	
155	Hinge, bottom right/top left	762115300	0722	
156	Locking set complete (A151)	761114676	0722	
157	Lock fitting	761114665	0722	
158	Locking pin	761114666	0722	
159	Lock comb. A151	765080322	0722	
160	Key A151	765080399	0722	

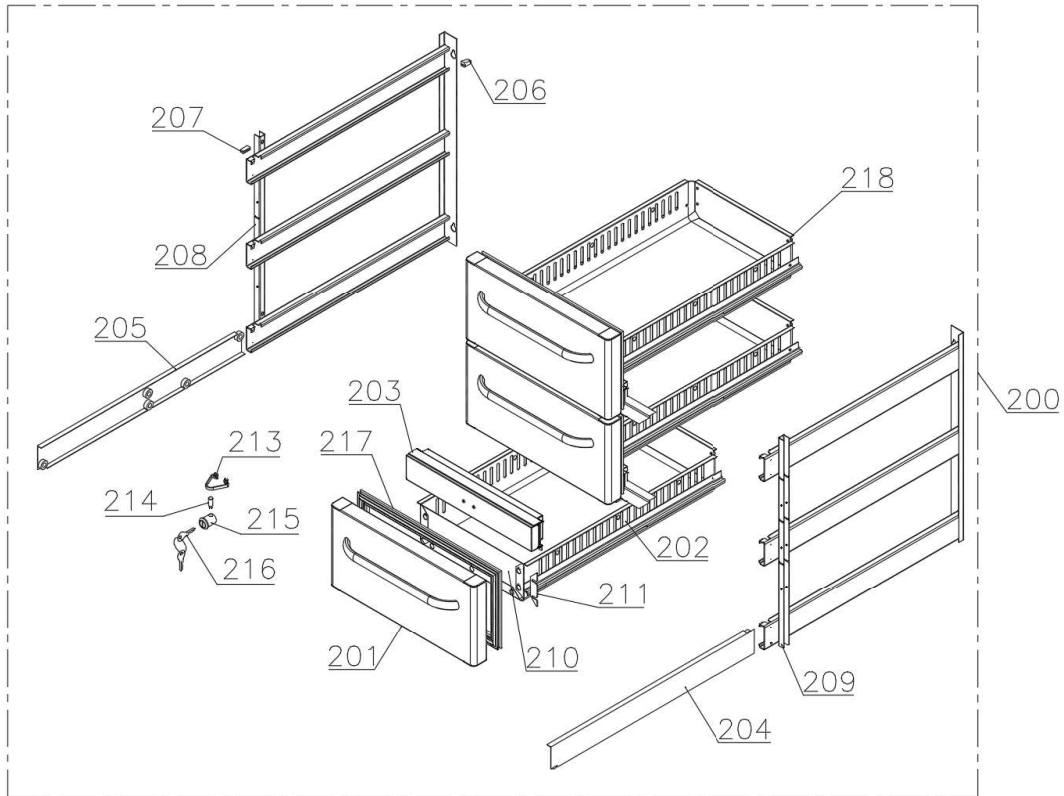
# Drawers

2 x 1/2 GN



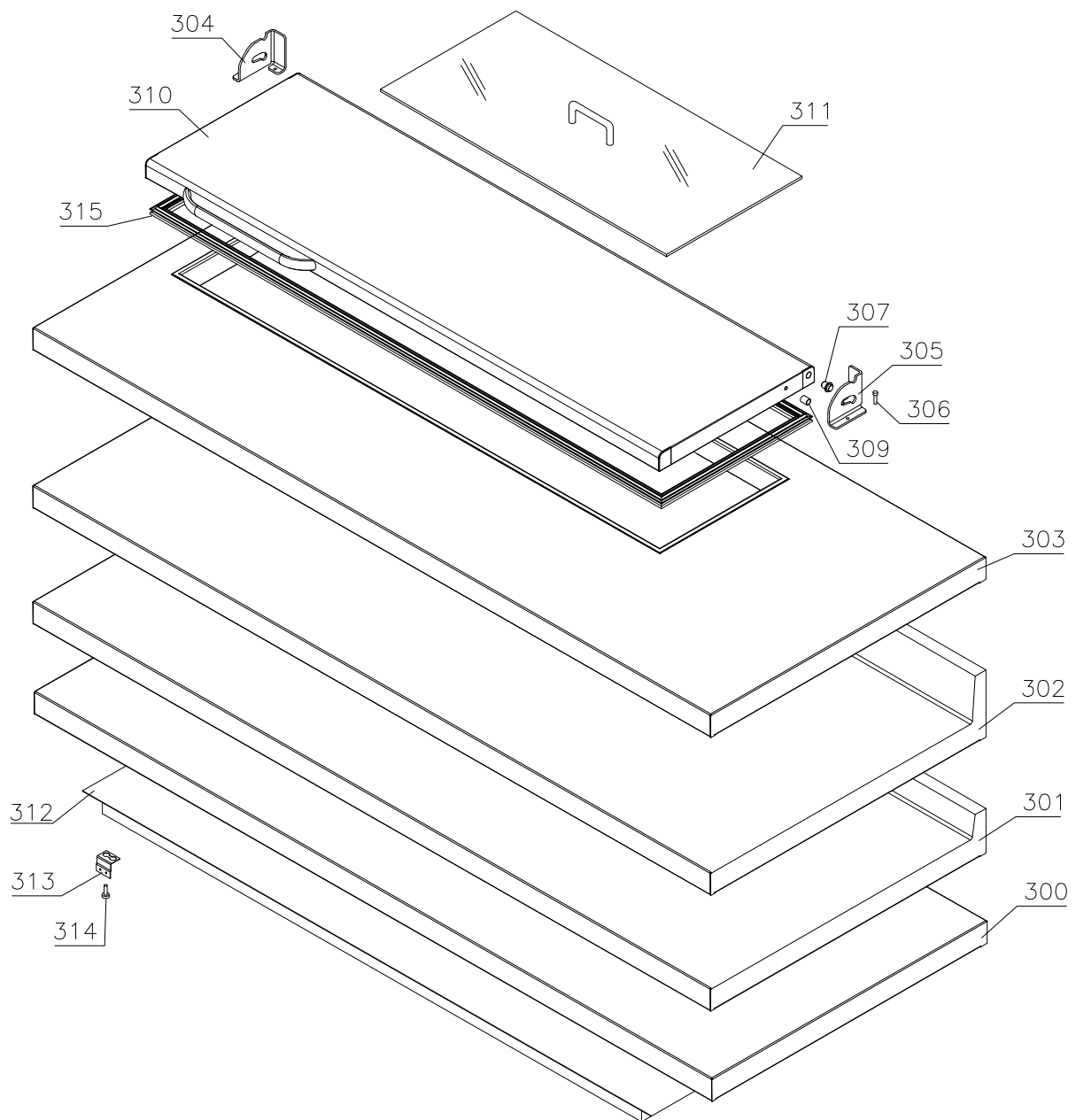
Item no.	Description	Gram part no.	Issued	Deleted
200	Drawer set complete 2 x 1/2	762117885	0722	
200	Drawer set complete 2 x 1/2 (lock)	762117886	0722	
201	Drawer front piece 1/2 GN	762117379	0722	
201	Drawer front piece 1/2 GN for lock	762117378	0722	
202	Drawer insert 2x1/2 GN	762117899	0722	
203	Cross bar	762117980	0722	
204	Sliding rail, right	761115071	0722	
205	Sliding rail, left	761115072	0722	
206	Rear stop for sliding rail	761115323	0722	
207	Front stop for sliding rail	761115324	0722	
208	Drawer rack 2x1/2 left	762117977	0722	
209	Drawer rack 2x1/2 right	762117978	0722	
210	Drawer repair plate 1/2 GN	762110089	0722	
211	Reinforcement bracket 1/2 GN	762117472	0722	
212	Locking set complete (A151)	761114676	0722	
213	Lock fitting	761114665	0722	
214	Locking pin	761114666	0722	
215	Lock comb. A151	765080322	0722	
216	Key A151	765080399	0722	
217	Drawer gasket 1/2 GN	762117071	0722	
218	Drawer complete 1/2	762110776	0722	

3 x 1/3 GN



Item no.	Description	Gram part no.	Issued	Deleted
200	Drawer set complete 3 x 1/3 R/C	762117887	0722	
200	Drawer set complete 3 x 1/3 (lock) R/C	762117888	0722	
201	Drawer front piece 1/3 GN	762117377	0722	
201	Drawer front piece 1/3 GN for lock	762117376	0722	
202	Drawer insert 3x1/3 GN	762117973	0722	
203	Cross bar	762117980	0722	
204	Sliding rail, right	761115071	0722	
205	Sliding rail, left	761115072	0722	
206	Rear stop for sliding rail	761115323	0722	
207	Front stop for sliding rail	761115324	0722	
208	Drawer rack 3x1/3 left	762117975	0722	
209	Drawer rack 3x1/3 right	762117974	0722	
210	Drawer repair plate 1/3 GN	762110088	0722	
211	Reinforcement bracket 1/3 GN	762117473	0722	
212	Locking set complete (A151)	761114676	0722	
213	Lock fitting	761114665	0722	
214	Locking pin	761114666	0722	
215	Lock comb. A151	765080322	0722	
216	Key A151	765080399	0722	
217	Drawer gasket 1/3 GN	762117070	0722	
218	Drawer complete 1/3 R/C	762117880	0722	

## Worktops



Item no.	Description	Gram part no.	Issued	Deleted
300	Worktop, level R/C/F 2	762117528	0722	
300	Worktop, level R/C/F 3	762117543	0722	
300	Worktop, level R/C/F 4	762117590	0722	
301	Worktop, splashback 50 R/C/F 2	762117531	0722	
301	Worktop, splashback 50 R/C/F 3	762117546	0722	
301	Worktop, splashback 50 R/C/F 4	762117593	0722	
302	Worktop, splashback 100 R/C/F 2	762117533	0722	
302	Worktop, splashback 100 R/C/F 3	762117548	0722	
302	Worktop, splashback 100 R/C/F 4	762117595	0722	
303	Saladette R/C/F 2	762117535	0722	
303	Saladette R/C/F 3	762117550	0722	
303	Saladette R/C/F 4	762117597	0722	

<b>Item no.</b>	<b>Description</b>	<b>Gram part no.</b>	<b>Issued</b>	<b>Deleted</b>
304	Bracket for lid, left	762115332	0722	
305	Bracket for lid, right	762115331	0722	
306	Screw M5x12	420178002	0722	
307	Hinge pin	762115327	0722	
308	Plug	760250272	0722	
309	Nylon slide	760081307	0722	
310	Lid for saladette R/C/F 2	762115400	0722	
310	Lid for saladette R/C/F 3	762115401	0722	
310	Lid for saladette R/C/F 4	762115402	0722	
311	Plexiglass lid R/C/F 2	761112093	0722	
311	Plexiglass lid R/C/F 3	761112094	0722	
311	Plexiglass lid R/C/F 4	762115450	0722	
312	Insulating insert R/C/F 2	762117526	0722	
312	Insulating insert R/C/F 3	762117541	0722	
312	Insulating insert R/C/F 4	762117588	0722	
313	Worktop bracket	761114163	0722	
314	Attachment screw	420340120	0722	
315	Gasket R/C/F 2	762110290	0722	
315	Gasket R/C/F 3	762110291	0722	
315	Gasket R/C/F 4	762110292	0722	

# Log book

Continuous changes are introduced in the log book.

-

**Version 003:**

- 22. May 2024: Pos 218 Drawer complete 1/3 and 1/2 added.

**Version 002:**

- 26. April 2024: Pos 9 Condenser fan motor Changed.

## Notes
