

# Spare parts list

## Gastro 700

Item number: 765041637

Release date: 26.02.14

Released by: JABP

Revision date: 26.10.23/JOLU

Revision no.: 023

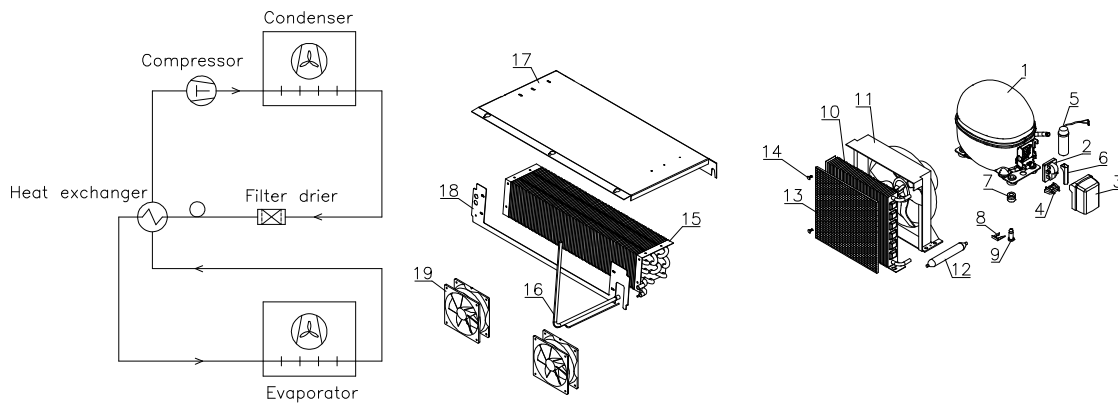
# Content

Refrigeration system parts .....	3
Sensors and sensor positioning .....	6
Cabinet parts .....	7
Electrical parts .....	9
Door .....	10
Notes .....	12

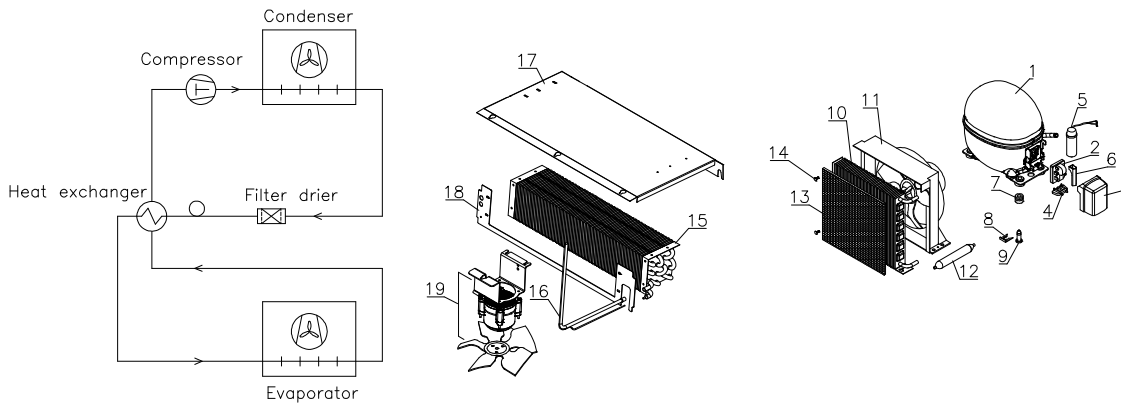
# Refrigeration system parts

R/GR 700

## 1614 - 1120

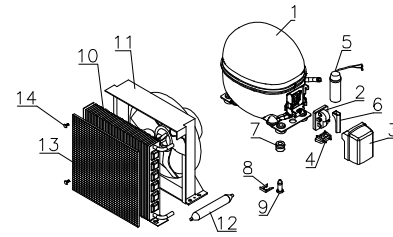
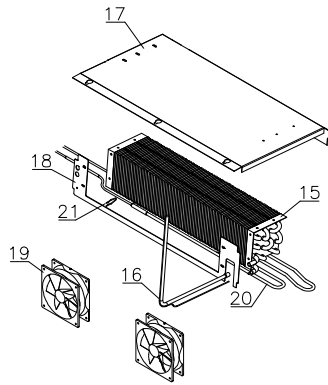
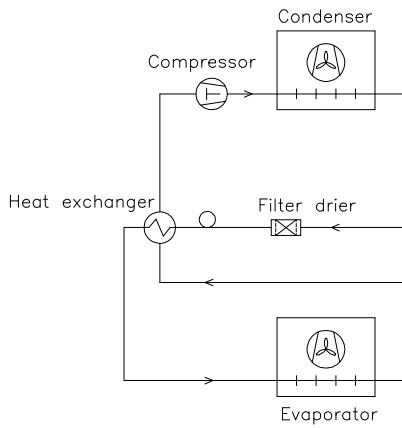


## 1120 -

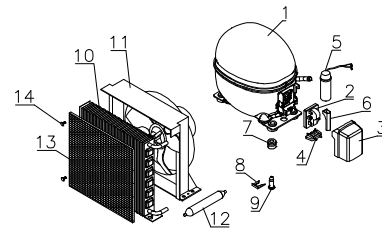
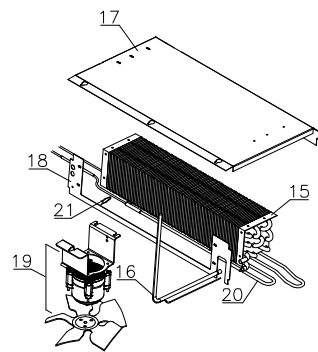
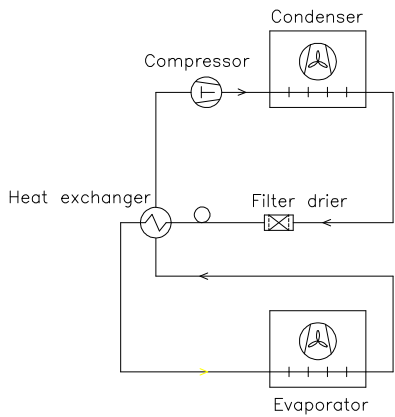


Item no.	Description	Gram part no.	Issued	Deleted
1	Compressor DLE10KK	506000006	1614	4819
1	Compressor HZK80AA	506000009	4819	
2	Starting device	453050180	1614	4819
2	Terminal board	453050181	4819	
3	Cover	452440296	1614	4819
3	Cover	500700001	4819	
4	Cord relief	452440300	1614	4819
5	Run capacitor 4 $\mu$ F	451723517	1614	4819
5	Run capacitor 3 $\mu$ F	451723522	4819	
6	PTC cover	452440290	1614	4819
7	Rubber bush	760080519	1614	
8	Compressor clip	760082367	1614	
9	Compressor screw	760082711	1614	
10	Condenser	765080161	1614	
11	Cond.fan guard complete w/Elco fan	763254060	1614	
12	Filter drier	762900157	1614	
13	Air filter	761114415	1614	
14	Attachment plug	765081250	1614	
15	Evaporator	762900187	1614	
16	Heat exchanger	762900068	1614	
17	Evaporator suspension	763251240	1614	
18	Evaporator cover	763251224	1614	
19	Evaporator fan	765072102	1614	1120
19	Evaporator fan complete	761250780	1120	

**1614 - 1120**

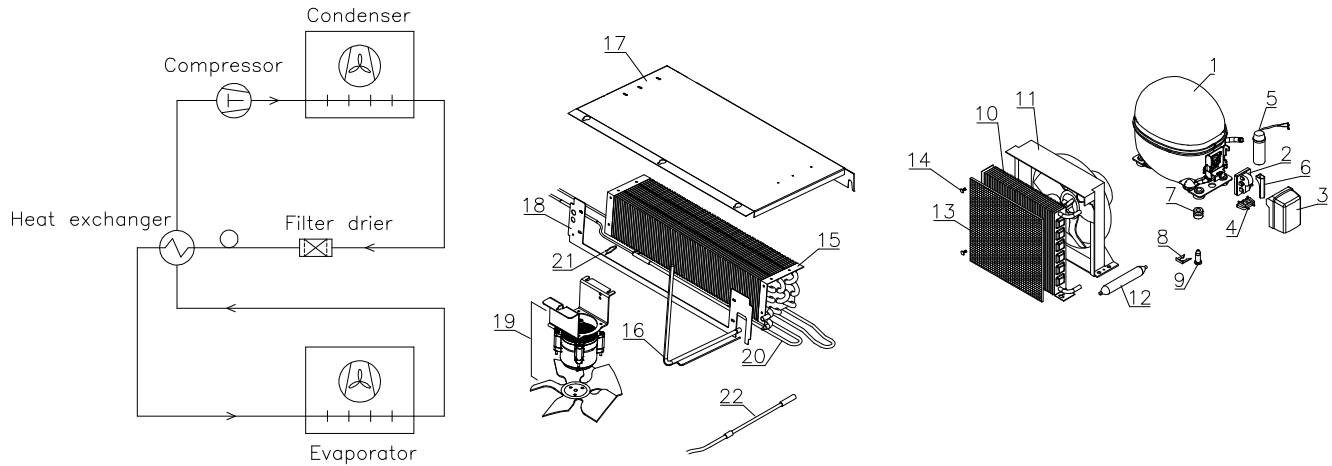


**1120 -**



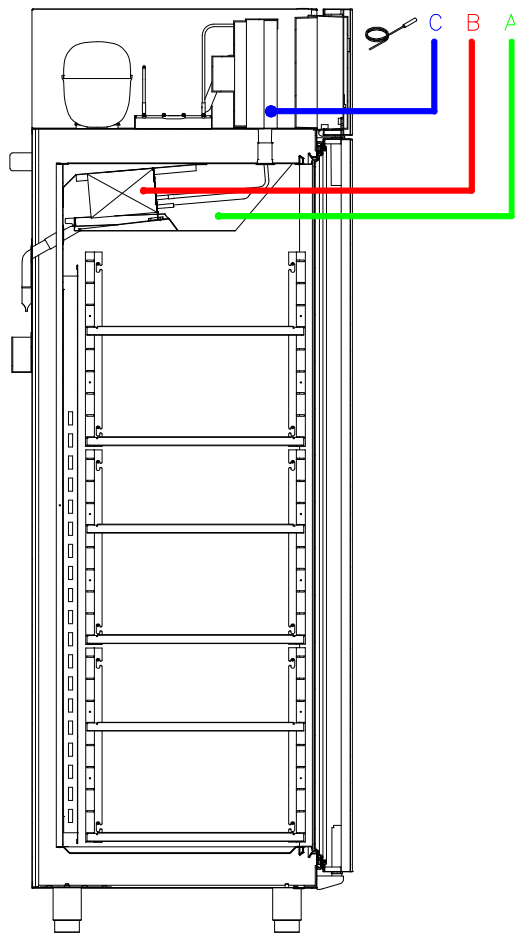
Item no.	Description	Gram part no.	Issued	Deleted
1	Compressor DLE10KK	506000006	1614	4819
1	Compressor HZK80AA	506000009	4819	
2	Starting device	453050180	1614	4819
2	Terminal board	453050181	4819	
3	Cover	452440296	1614	4819
3	Cover	500700001	4819	
4	Cord relief	452440300	1614	4819
5	Run capacitor 4 $\mu$ F	451723517	1614	4819
5	Run capacitor 3 $\mu$ F	451723522	4819	
6	PTC cover	452440290	1614	4819
7	Rubber bush	760080519	1614	
8	Compressor clip	760082367	1614	
9	Compressor screw	760082711	1614	
10	Condenser	765080161	1614	
11	Cond.fan guard complete w/Elco fan	763254060	1614	
12	Filter drier	762900157	1614	
13	Air filter	761114415	1614	
14	Attachment plug	765081250	1614	
15	Evaporator	762900187	1614	
16	Heat exchanger	762900068	1614	
17	Evaporator suspension	763251240	1614	
18	Evaporator cover	763251224	1614	
19	Evaporator fan	765072102	1614	1120
19	Evaporator fan complete	761250780	1120	
20	Defrost heater	765071819	1614	
21	Clip for defrost heater	763251227	1614	

F 700



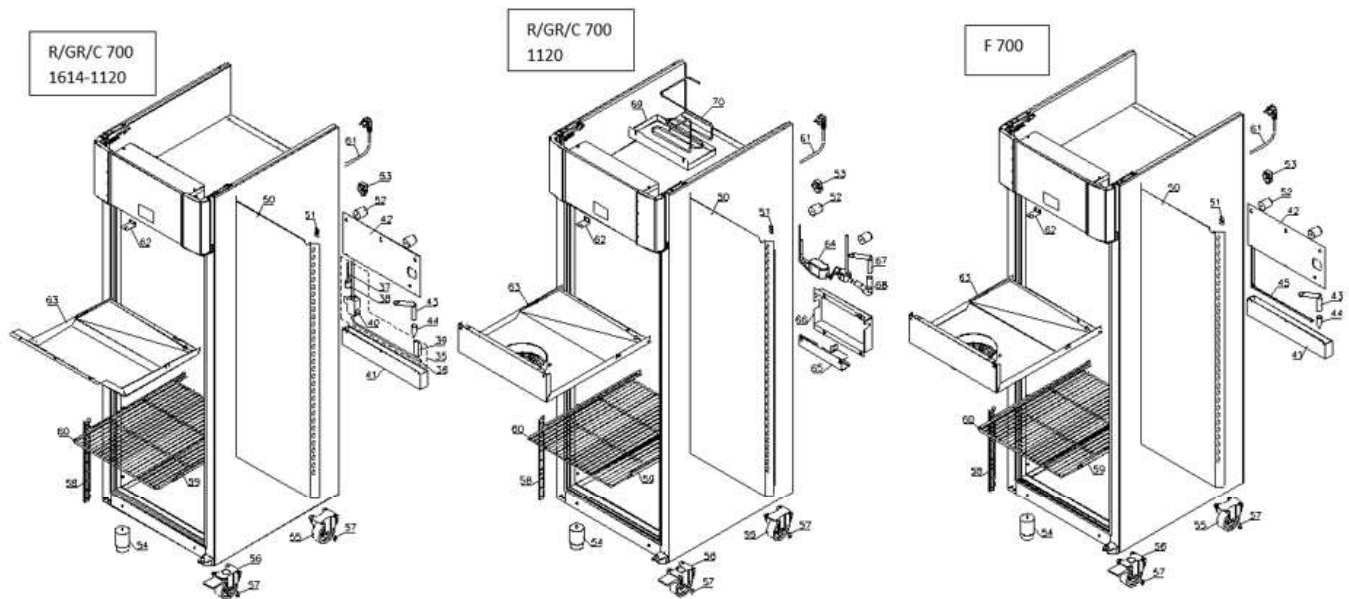
Item no.	Description	Gram part no.	Issued	Deleted
1	Compressor NLE11CNL	502900017	1614	
2	Starting device	453050180	1614	
3	Cover	452440293	1614	
4	Cord relief	452440300	1614	
5	Run capacitor 4 $\mu$ F	451723517	1614	
6	PTC cover	452440290	1614	
7	Rubber bush	760080519	1614	
8	Compressor clip	760082367	1614	
9	Compressor screw	760082711	1614	
10	Condenser	765080162	1614	
11	Cond.fan guard complete w/Elco fan	763254085	1614	
12	Filter drier	765080157	1614	
13	Air filter	761114416	1614	
14	Attachment plug	765081250	1614	
15	Evaporator	762900187	1614	2616
15	Evaporator	765080185	2616	
16	Heat exchanger	762900069	1614	2616
16	Heat exchanger	762900060	2616	
17	Evaporator suspension	763251240	1614	
18	Evaporator cover	763251224	1614	2616
18	Evaporator cover	763251221	2616	
19	Evaporator fan	765072102	1614	2616
19	Evaporator fan complete	761250780	2616	
20	Defrost heater	765071819	1614	
21	Clip for defrost heater	761254427	1614	
22	Drain line heater	761250763	1614	

## Sensors and sensor positioning



Item no.	Description	Gram part no.	Issued	Deleted
A	Room sensor	453531500	1614	
B	Defrost sensor	453531501	1614	
C	Condenser sensor	453531500	1614	

## Cabinet parts

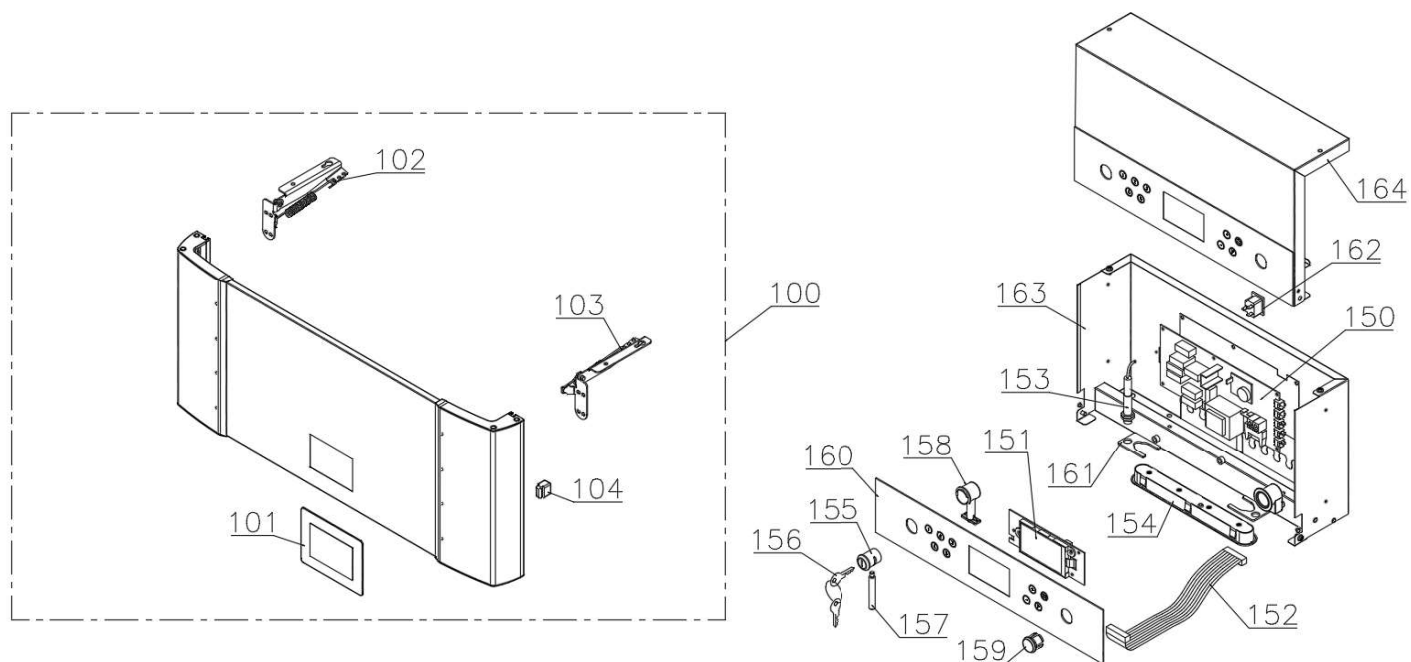


Item no.	Description	Gram part no.	Issued	Deleted
35	Re-evaporation kit	763254026	1614	1120
36	Re-evaporation heater	765072862	1614	1120
37	Float switch	765072049	1614	1120
38	Plastic cap	450450080	1614	1120
39	Heater bracket	763250021	1614	1120
40	Heater/float switch bracket	763250020	1614	1120
41	Re-evaporation tray	765081149	1614	
42	Cover plate	763251894	1614	
43	Drain pipe	765081253	1614	
44	Water trap	760082891	1614	
45	Hot gas pipe for re-evaporation	762900063	1614	
50	Air distribution plate	763252610	1614	
51	Bracket	760250762	1614	
52	Distance bush	762251184	1614	
53	Air relief valve	765081206	1614	
54	Leg H=100-135 mm	765080118	1614	
54	Leg H=135-200 mm	765080115	1614	
55	Fixed castor H=109 mm	480270521	1614	
55	Fixed castor H=125 mm	480270520	1614	
56	Swivel castor H=109 mm	480270522	1614	
56	Swivel castor H=125 mm	480260050	1614	
57	Screw M8x12	422715000	1614	
58	Wall rail, modular	763251914	1614	
58	Wall rail, full length	763251903	1614	
58	Wall rail, Baker 46x61/45x60	763251904	1614	
58	Wall rail, Baker 40x60	763251901	1614	
58	Wall rail, Baker 53x65	763251903	1614	
58	Wall rail, Baker 47x63	763251902	1614	
59	Shelf support set of 2	818885000	1614	
59	Shelf support set of 2, Baker	818885002	1614	

Item no.	Description	Gram part no.	Issued	Deleted
60	Stainless wire shelf	818880007	1614	
60	Grey wire shelf	818880008	1614	
61	Power cord EU	765072566	1614	
61	Power cord UK	765072567	1614	
61	Power cord DK	765072568	1614	
62	Lock bracket	763252160	1614	4617
62	Lock bracket	763252149	4617	
63	Drip tray, K/M/KG	763251877	1614	1120
63	Drip tray, K/M/KG	763256456	1120	
63	Drip tray, F	763256456	1614	
64	Condensate pump	765072202	1120	
65	Bracket for pump	763251972	1120	
66	Cover for pump	763251973	1120	
67	Drain pipe	765081253	1120	
68	Drain hose w/trap	765081176	1120	
69	Drain pan	760245531	1120	
70	Hot gas pipe for re-evaporation	760000358	1120	



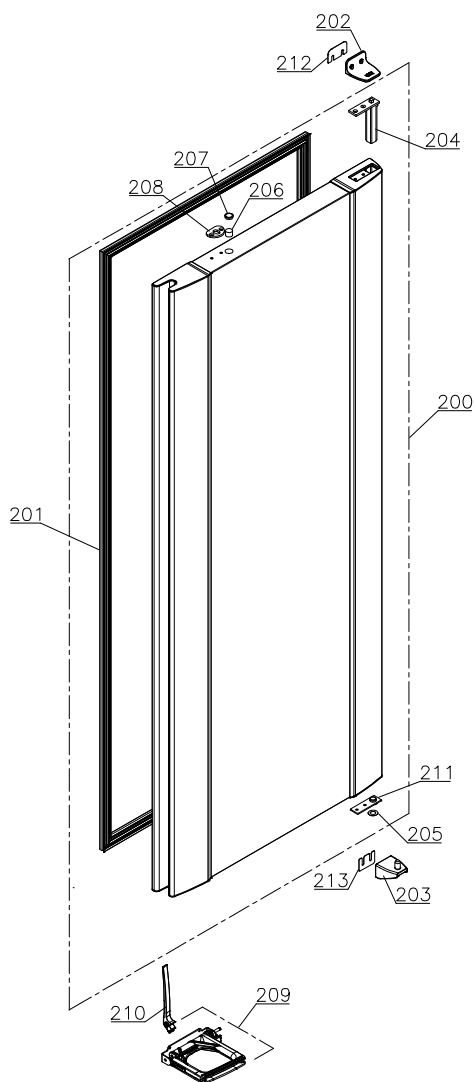
## Electrical parts



Item no.	Description	Gram part no.	Issued	Deleted
100	Front panel complete, Stainless	763254007	1614	
100	Front panel complete, Alu look	763254009	1614	
100	Front panel complete, White	763254008	1614	
101	Display window	763252049	1614	
102	Hinge complete, left	763252060	1614	
103	Hinge complete, right	763252066	1614	
104	Panel spacer	763252058	1614	
150	Controller PCB, power part FS K01	763256000	1614	
150	Controller PCB, power part FS M03	763256001	1614	2419
150	Controller PCB, power part FS M09	763256021	2419	
150	Controller PCB, power part FS F01	763256002	1614	
151	Display PCB	612900053	1614	
152	Ribbon cable L=700	453582047	1614	
153	Door switch	450400113	1614	
154	LED light bar	450742025	1614	
155	Lock comb. A151	765080322	1614	
156	Key A151	765080399	1614	
157	Lock pin	761114666	1614	4617
157	Lock pin	763252153	4617	0320
157	Lock pin	765080088	0320	
158	Lock housing	762110280	1614	4617
158	Lock housing	765080047	4617	
159	Plug for lock housing	763252152	1614	
160	Display label	765040680	1614	4617
160	Display label	765040677	4617	
161	Clip for LED bar	763252161	1614	
162	Appliance inlet	451022002	1614	
163	Junction box	763252158	1614	4617
163	Junction box	763252129	4617	
164	Cover for junction box	763254109	1614	4617
164	Cover for junction box	763254110	4617	

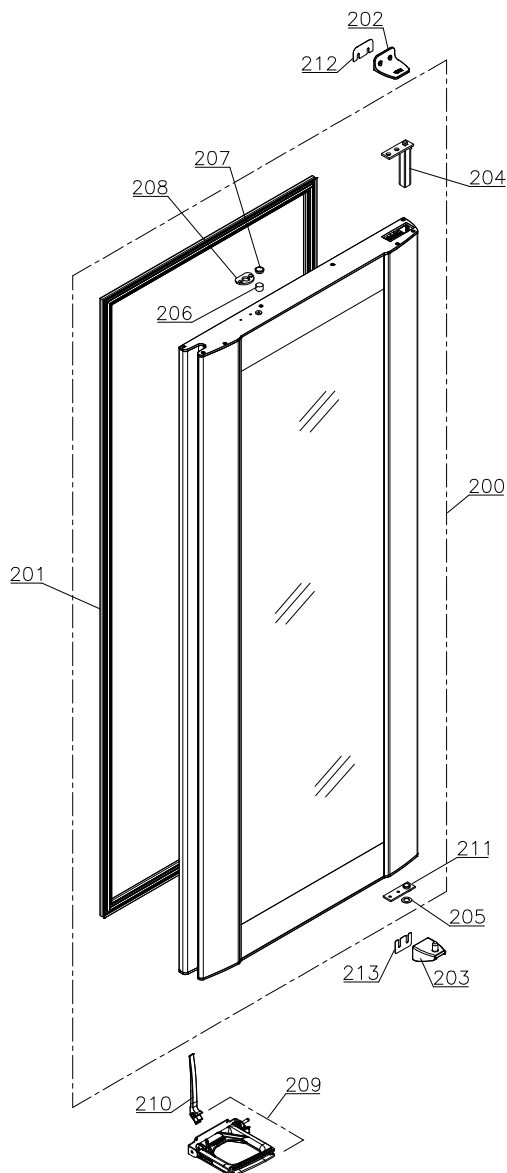
# Door

## Solid door



Item no.	Description	Gram part no.	Issued	Deleted
200	Door complete right, Stainless	763254001	1614	
200	Door complete right, Alu look	763254005	1614	
200	Door complete right, White	763254003	1614	
200	Door complete left, Stainless	763254002	1614	
200	Door complete left, Alu look	763254006	1614	
200	Door complete left, White	763254004	1614	
201	Gasket	763251705	1614	
202	Top hinge	763251747	1614	
203	Bottom hinge	763251746	1614	
204	Self close device	763251880	1614	
205	Washer	760250527	1614	
206	Magnet for door switch	450401002	1614	
207	Plastic plug, white	760082756	1614	
207	Plastic plug, grey	765081220	1614	
208	Lock bracket	763251090	1614	
209	Foot pedal, right	763251812	1614	
209	Foot pedal, left	763251813	1614	
210	Pedal arm	763251802	1614	
211	Hinge bearing complete	761220982	1614	
212	Top hinge shim pad	763251748	1614	
213	Bottom hinge shim pad	763251749	1614	

Glass door



Item no.	Description	Gram part no.	Issued	Deleted
200	Glass door, right	763252213	1614	
201	Gasket	763251705	1614	
202	Top hinge	763251747	1614	
203	Bottom hinge	763251746	1614	
204	Self close device	763251880	1614	
205	Washer	760250527	1614	2122
206	Magnet for door switch	450401002	1614	
207	Plastic plug, white	760082756	1614	
207	Plastic plug, grey	765081220	1614	
208	Lock bracket	763251090	1614	
209	Foot pedal, right	763251812	1614	
209	Foot pedal, left	763251813	1614	
210	Pedal arm	763251802	1614	
211	Hinge bearing complete	763251755	1614	
212	Top hinge shim pad	763251748	1614	
213	Bottom hinge shim pad	763251749	1614	

## Notes
