

Spare parts list

Eco 700

Item number: 765043916

Release date: 24.04.26

Released by: JOLU

Revision date: 24.04.26/JOLU

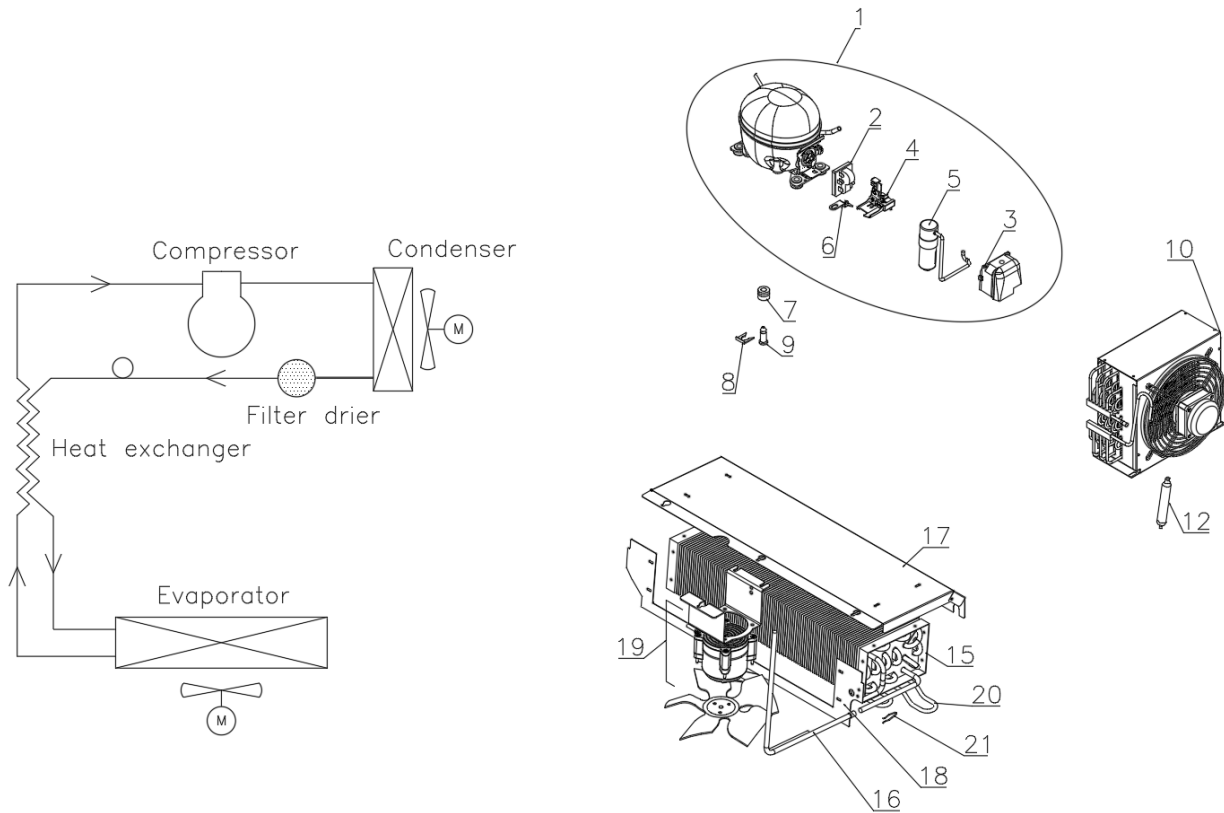
Revision no.: 000

Content

Refrigeration system parts	3
Sensors and sensor positioning	5
Cabinet parts	6
Electrical parts	7
Door	8
Notes	10

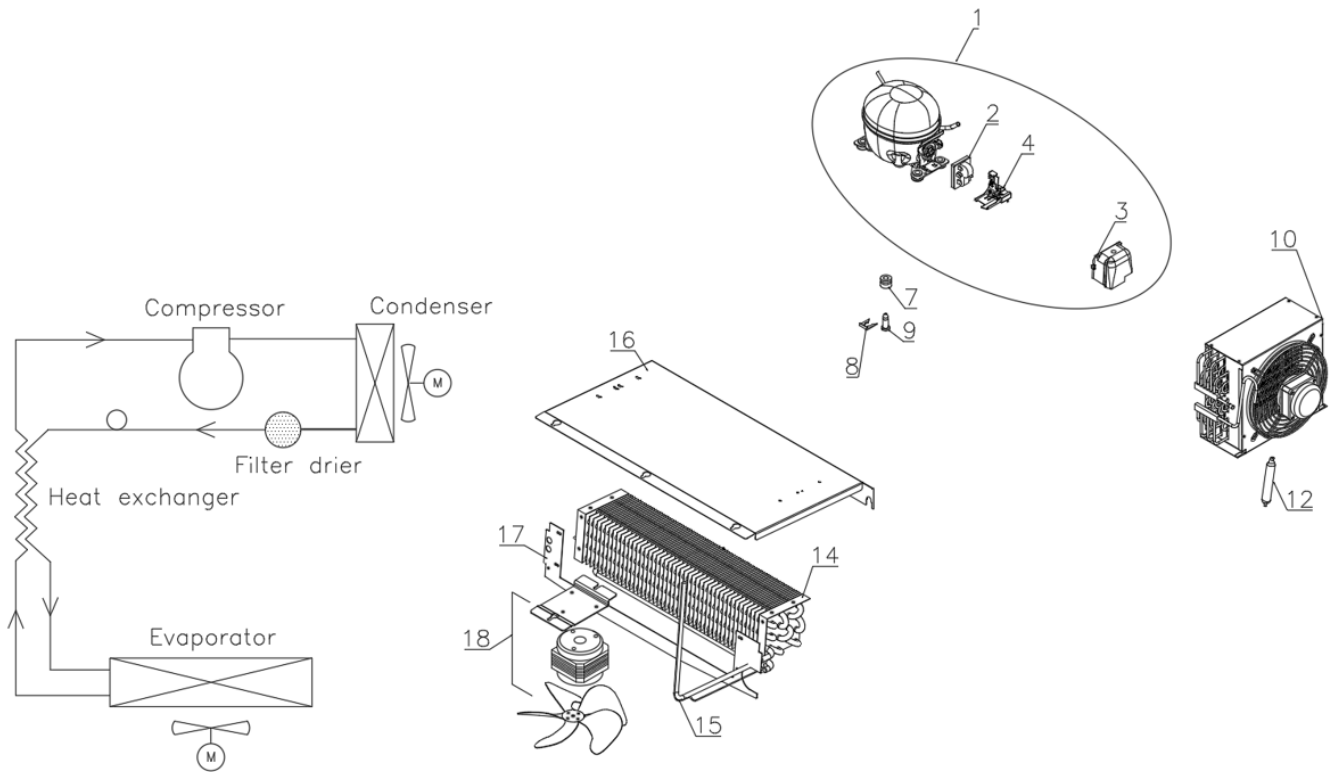
Refrigeration system parts

Eco C 700 G



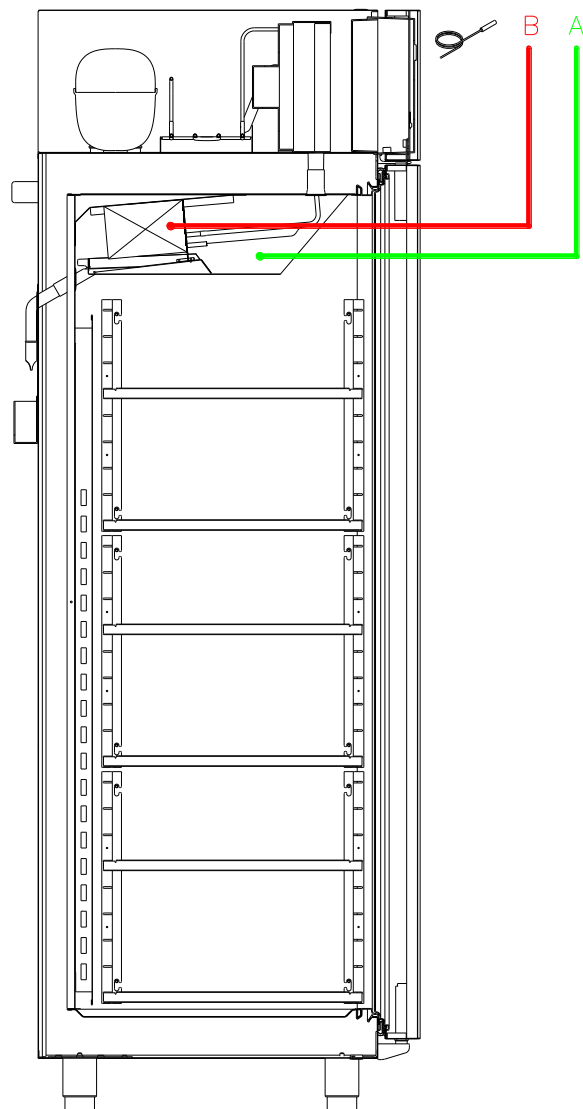
Item no.	Description	Gram part no.	Issued	Deleted
1	Compressor EMC319U (Complete)	502900117	1626	
2	Starting device	453050201	1626	
3	Cover	452440050	1626	
4	Cord relief	452440020	1626	
6	Bracket for capacitor	451723530	1626	
7	Rubber bush	760080519	1626	
8	Compressor clip	760082367	1626	
9	Compressor screw	760082711	1626	
10	Condenser complete	765080302	1626	
12	Filter drier	762900156	1626	
15	Evaporator	765080185	1626	
16	Heat exchanger	762900218	1626	
17	Evaporator suspension	763251240	1626	
18	Evaporator cover	763251221	1626	
19	Evaporator fan complete	763254142	1626	
20	Defrost heater	765072110	1626	
21	Clip for defrost heater	761254427	1626	

Eco F 700 G



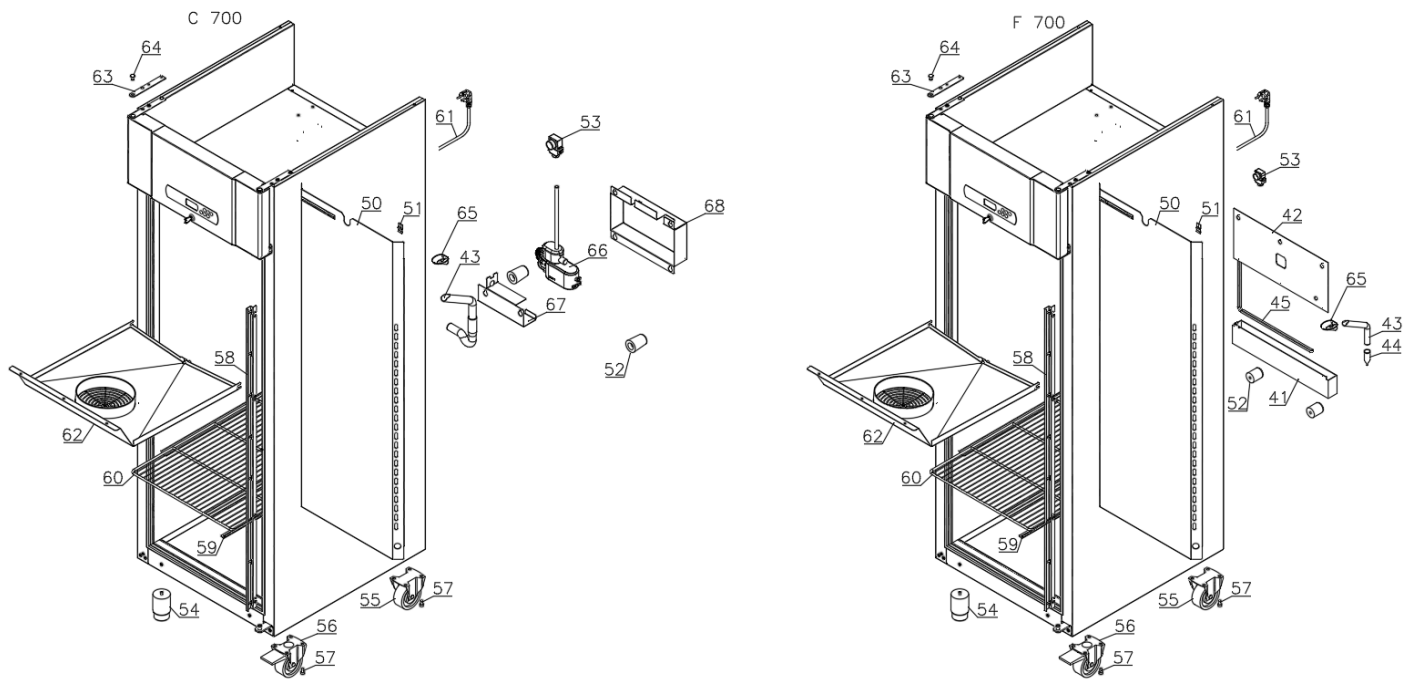
Item no.	Description	Gram part no.	Issued	Deleted
1	Compressor EMX3140U (Complete)	502900114	1626	
2	Starting device - Overload Protector	410630083	1626	
3	Cover	452440023	1626	
4	PTC Relay	450588001	1626	
7	Rubber bush	760080519	1626	
8	Compressor clip	760082367	1626	
9	Compressor screw	760082711	1626	
10	Condenser complete	765080302	1626	
12	Filter drier	762900156	1626	
15	Evaporator	765080185	1626	
16	Heat exchanger	762900079	1626	
17	Evaporator suspension	763251240	1626	
18	Evaporator cover	763251221	1626	
19	Evaporator fan complete	763254142	1626	
20	Defrost heater	765072110	1626	
21	Clip for defrost heater	761254427	1626	

Sensors and sensor positioning



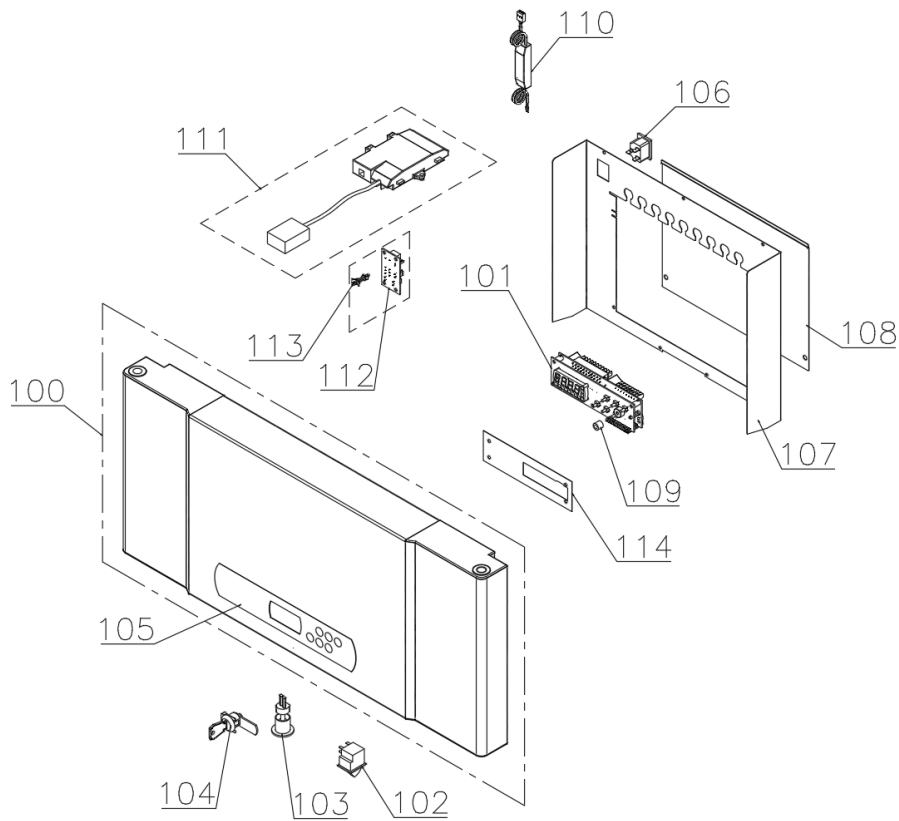
Item no.	Description	Gram part no.	Issued	Deleted
A	Room sensor	453531552	1626	
B	Defrost sensor	453531553	1626	

Cabinet parts



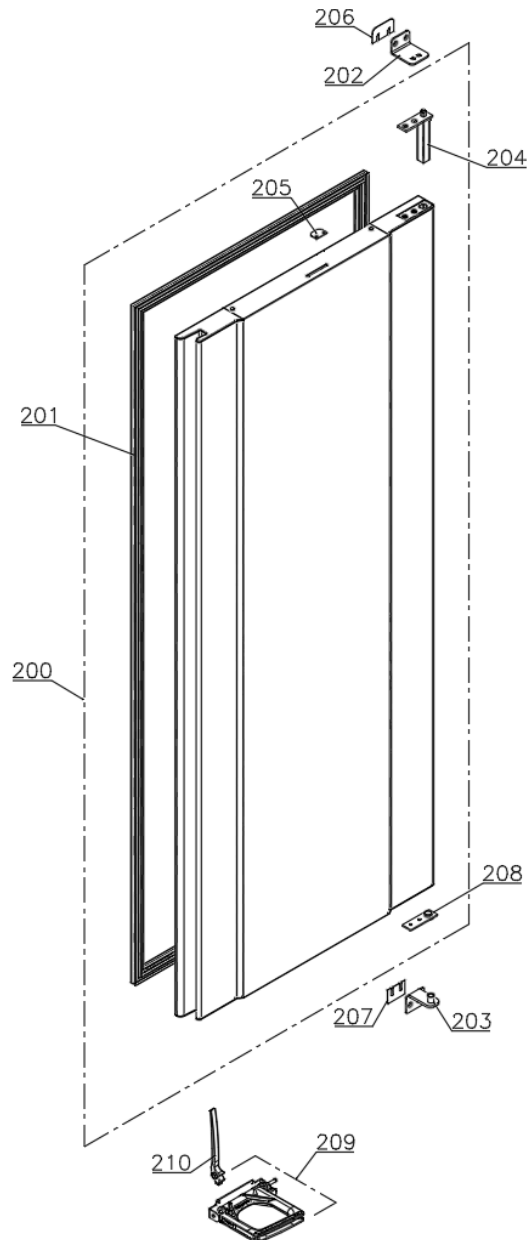
Item no.	Description	Gram part no.	Issued	Deleted
41	Re-evaporation tray	765081149	1626	
42	Cover plate	763251898	1626	
43	Drain pipe	765081253	1626	
44	Water trap	760082891	1626	
45	Hot gas pipe for re-evaporation	762900063	1626	
50	Air distribution plate	763252612	1626	
51	Bracket	760250762	1626	
52	Distance bush	762251184	1626	
53	Air relief valve	765081206	1626	
54	Leg H=100-135 mm	765080118	1626	
54	Leg H=135-200 mm	765080115	1626	
55	Fixed castor H=109 mm	480270521	1626	
55	Fixed castor H=125 mm	480270520	1626	
56	Swivel castor H=109 mm	480270522	1626	
56	Swivel castor H=125 mm	480260050	1626	
57	Screw M8x12	422715000	1626	
58	Wall rail, Gastronorm	763251914	1626	
59	Shelf support set, Gastronorm	818885000	1626	
60	Grey wire shelf	818880008	1626	
61	Power cord EU	765072566	1626	
61	Power cord UK	765072567	1626	
61	Power cord DK	765072568	1626	
62	Drip tray complete	763251833	1626	
63	Top bracket	763251969	1626	
64	Plug for top bracket	762110281	1626	
65	Drip water funnel	765081190	1626	

Electrical parts



Item no.	Description	Gram part no.	Issue d	Deleted
100	Front panel complete	763254143	1626	
101	Controller PCB, C/F 700	453580607	1626	
102	Door switch	765072852	1626	
103	LED light	450742027	1626	
104	Lock complete	765080235	1626	
105	Display label	762222659	1626	
106	Appliance inlet	451022002	1626	
107	Junction box	763251189	1626	
108	Cover for junction box	763251190	1626	
109	Spacer	760251508	1626	
110	LED driver	450742029	1626	
111	RS 485 complete kit	763254100	1626	
112	Expansions board F700	453580608	1626	
113	Spacer for controller (4 pcs needed)".	451119528	1626	
114	Controller protection foil	765040175	1626	

Door



Item no.	Description	Gram part no.	Issued	Deleted
200	Door complete	763253928	1626	
201	Gasket	763251705	1626	
202	Top hinge	763251789	1626	
203	Bottom hinge	763251788	1626	
204	Self closing device	763251745	1626	
205	Door switch bracket	763251970	1626	
206	Top hinge shim pad	763251748	1626	
207	Bottom hinge shim pad	763251749	1626	
208	Hinge bearing complete	761220982	1626	
209	Foot pedal, right	763251812	1626	
209	Foot pedal, left	763251813	1626	
210	Pedal arm	763251802	1626	

Log book

Continuous changes are introduced in the log book.

-

Version 000:

- 24. April. 2026: Released.

Notes
