

Spare parts list

Standard Plus / Baker Standard

R/C/F 690 G

Item number: 765041999

Release date: 09.11.16

Released by: JABP

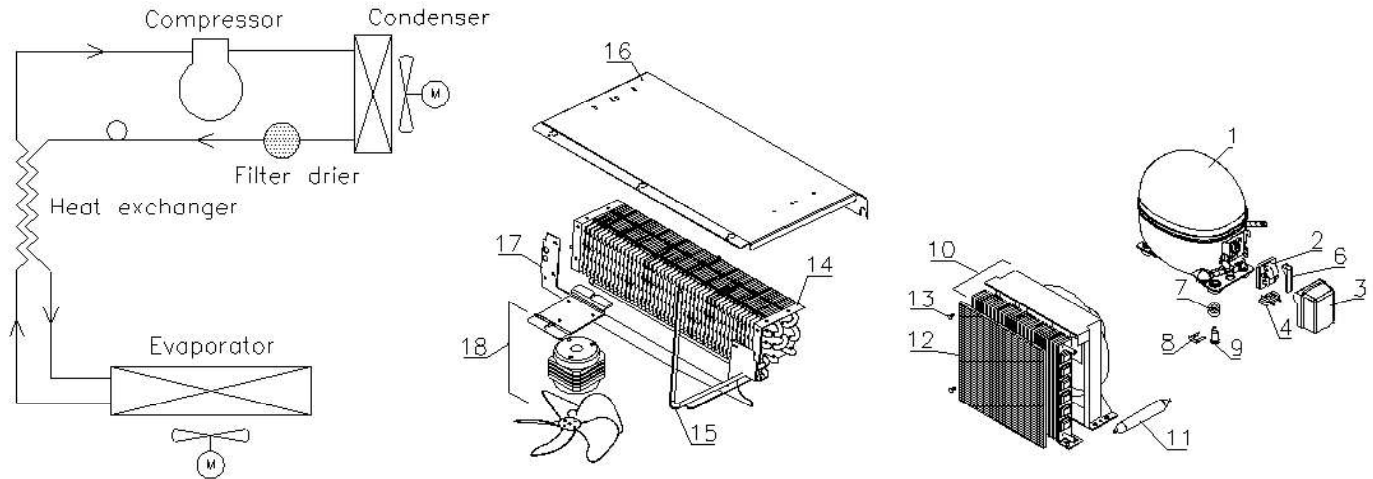
Revision date: 03.01.23

Revision no.: 007

Content

Refrigeration system parts	3
Sensors and sensor positioning	6
Cabinet parts	7
Electrical parts	9
Door	10
Notes	11

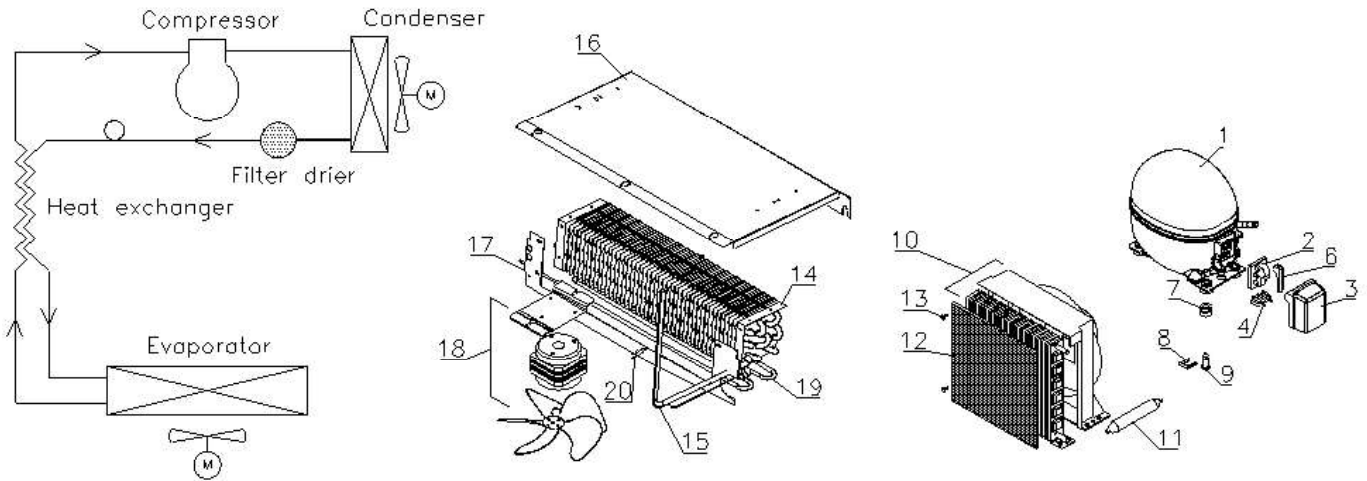
Refrigeration system parts



R 690 G

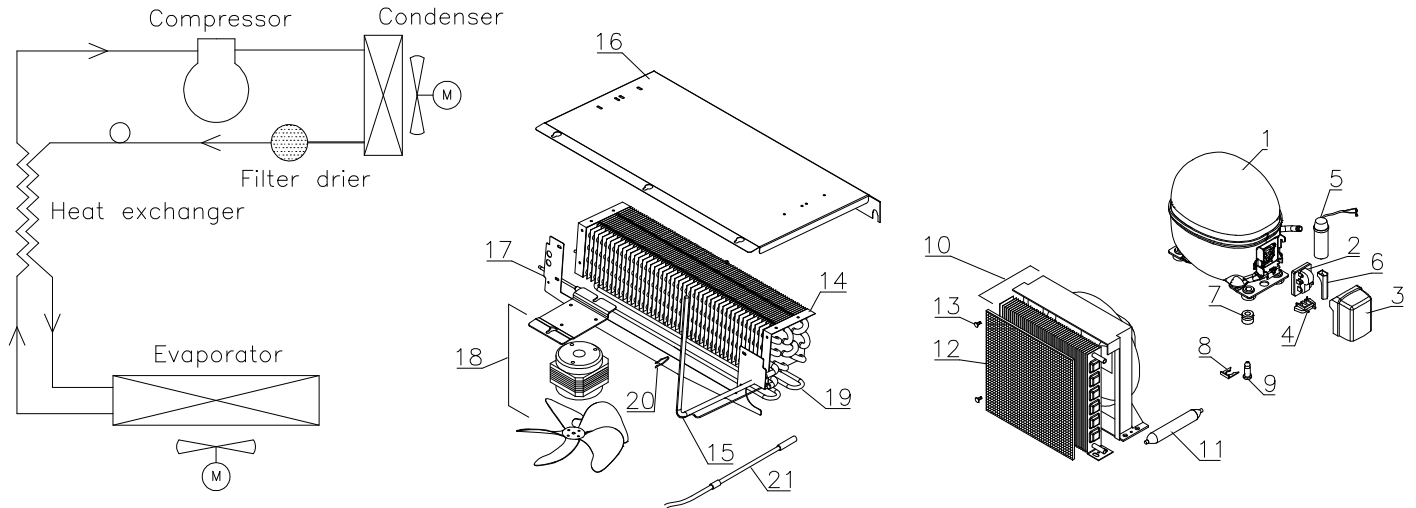
Item no.	Description	Gram part no.	Issued	Deleted
1	Compressor DLE4CN	502900023	0117	
2	Starting device	453050180	0117	
3	Cover	452440296	0117	
4	Cord relief	452440300	0117	
6	PTC cover	452440290	0117	
7	Rubber bush	760080519	0117	
8	Compressor clip	760082367	0117	
9	Compressor screw	760082711	0117	
10	Condenser complete	765080304	0117	
11	Filter drier	762900156	0117	
12	Air filter	761114415	0117	
13	Attachment plug	765081250	0117	
14	Evaporator	762900187	0117	
15	Heat exchanger	762900130	0117	
16	Evaporator suspension	763251240	0117	
17	Evaporator cover	763251266	0117	
18	Evaporator fan complete	763254086	0117	

C 690 G



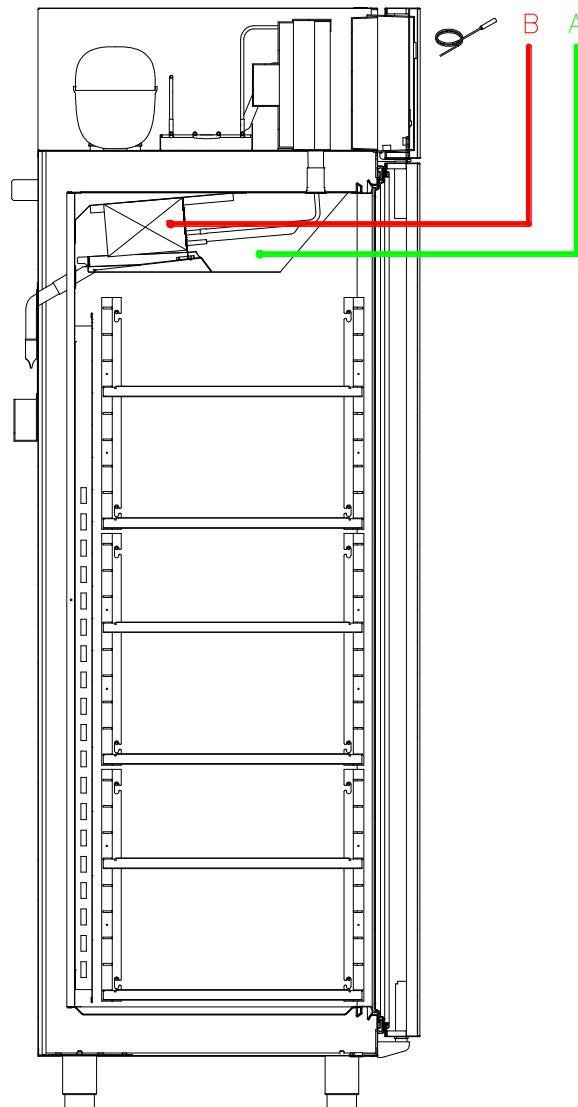
Item no.	Description	Gram part no.	Issued	Deleted
1	Compressor DLE4CN	502900023	0117	
2	Starting device	453050180	0117	
3	Cover	452440296	0117	
4	Cord relief	452440300	0117	
6	PTC cover	452440290	0117	
7	Rubber bush	760080519	0117	
8	Compressor clip	760082367	0117	
9	Compressor screw	760082711	0117	
10	Condenser complete	765080304	0117	
11	Filter drier	762900156	0117	
12	Air filter	761114415	0117	
13	Attachment plug	765081250	0117	
14	Evaporator	762900187	0117	
15	Heat exchanger	762900130	0117	
16	Evaporator suspension	763251240	0117	
17	Evaporator cover	763251266	0117	
18	Evaporator fan complete	763254086	0117	
19	Defrost heater	765072144	0117	
20	Clip for defrost heater	763251227	0117	

F 690 G



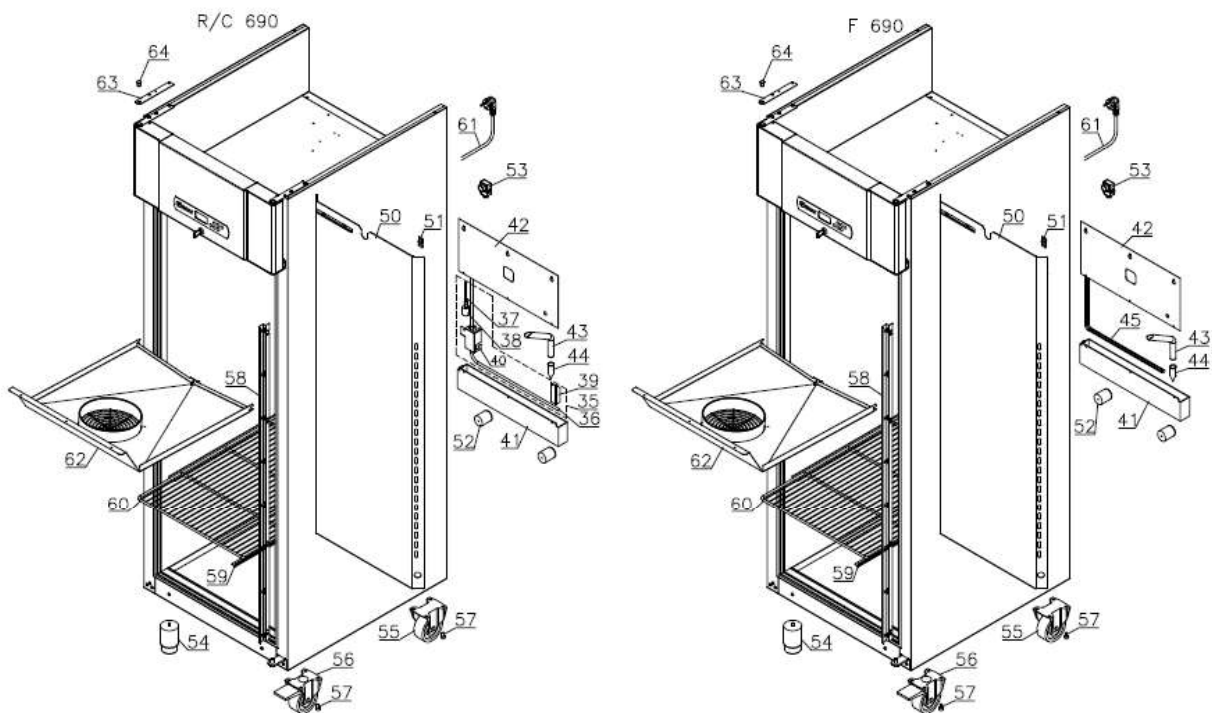
Item no.	Description	Gram part no.	Issued	Deleted
1	Compressor DLE7.5CN	502900022	0117	
2	Starting device	453050180	0117	
3	Cover	452440296	0117	
4	Cord relief	452440300	0117	
6	PTC cover	452440290	0117	
7	Rubber bush	760080519	0117	
8	Compressor clip	760082367	0117	
9	Compressor screw	760082711	0117	
10	Condenser complete	765080304	0117	
11	Filter drier	762900156	0117	
12	Air filter	761114415	0117	
13	Attachment plug	765081250	0117	
14	Evaporator	762900187	0117	
15	Heat exchanger	762900130	0117	
16	Evaporator suspension	763251240	0117	
17	Evaporator cover	763251266	0117	
18	Evaporator fan complete	763254086	0117	
19	Defrost heater	765072144	0117	
20	Clip for defrost heater	763251227	0117	
21	Drain line heater	765072142	0117	

Sensors and sensor positioning



Item no.	Description	Gram part no.	Issued	Deleted
A	Room sensor	453531512	0117	
B	Defrost sensor	453530052	0117	

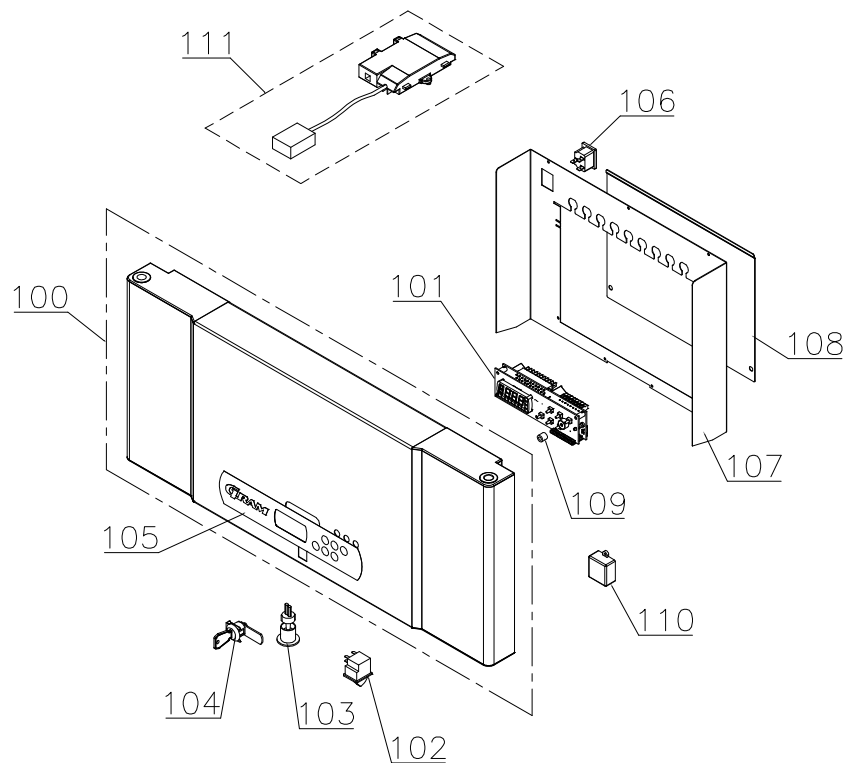
Cabinet parts



Item no.	Description	Gram part no.	Issued	Deleted
35	Re-evaporation kit	763254026	0117	
36	Re-evaporation heater	765072862	0117	
37	Float switch	765072049	0117	
38	Plastic cap	450450080	0117	
39	Heater bracket	763250002	0117	
40	Heater/float switch bracket	763250003	0117	
41	Re-evaporation tray	765081149	0117	
42	Cover plate	763251898	0117	
43	Drain pipe	765081253	0117	
44	Water trap	760082891	0117	
45	Hot gas pipe for re-evaporation	762900063	0117	
50	Air distribution plate SS	763252613	0117	
50	Air distribution plate FF/LF	763252612	0117	
51	Bracket	760250762	0117	
52	Distance bush	762251184	0117	
53	Air relief valve	765081206	0117	
54	Leg H=100-135 mm	765080118	0117	
54	Leg H=135-200 mm	765080115	0117	
55	Fixed castor H=109 mm	480270521	0117	
55	Fixed castor H=125 mm	480270520	0117	
56	Swivel castor H=109 mm	480270522	0117	
56	Swivel castor H=125 mm	480260050	0117	
57	Screw M8x12	422715000	0117	

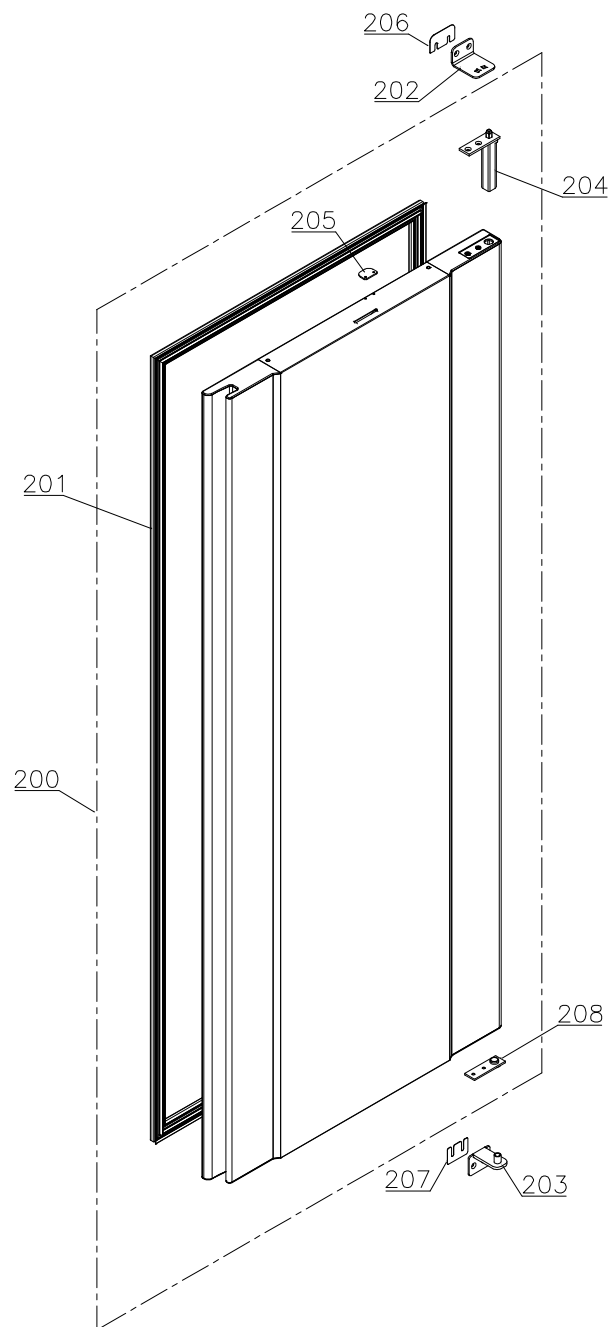
Item no.	Description	Gram part no.	Issued	Deleted
58	Wall rail, Gastronorm	763251922	0117	
58	Wall rail, Baker 40x60	763251901	3418	
59	Shelf support set, Gastronorm	818885000	0117	
59	Shelf support set, Baker	818885002	3418	
60	Grey wire shelf	818880008	0117	
61	Power cord EU	765072566	0117	
61	Power cord UK	765072567	0117	
61	Power cord DK	765072568	0117	
62	Drip tray complete SS	763251829	0117	
62	Drip tray complete FF/LF	763251827	0117	
63	Top bracket	763251969	0117	
64	Plug for top bracket	762110281	0117	

Electrical parts



Item no.	Description	Gram part no.	Issued	Deleted
100	Front panel complete SS	763254087	0117	
100	Front panel complete FF	763254088	0117	
100	Front panel complete LF	763254124	3919	
101	Controller PCB, K 69	453580132	0117	
101	Controller PCB, M 69	453580134	0117	
101	Controller PCB, F 69	453580133	0117	
102	Door switch	765072852	0117	
103	LED light	450742018	0117	
104	Lock complete	765080235	0117	
105	Display label	765041749	0117	
106	Appliance inlet	451022002	0117	
107	Junction box	763251189	0117	
108	Cover for junction box	763251190	0117	
109	Spacer	765080033	0117	
110	LED driver	765072843	0117	
111	RS 485 complete kit	763254100	0117	

Door



Item no.	Description	Gram part no.	Issued	Deleted
200	Door complete, SS	763254089	0117	
200	Door complete, FF	763254090	0117	
200	Door complete, LF	763254125	3919	
201	Gasket	763251705	0117	
202	Top hinge	763251792	0117	
203	Bottom hinge, Right	763251794	0117	
203	Bottom hinge, Left	763251798	0117	
204	Self closing device	761259909	0117	4718
204	Self closing device	763251745	4718	
205	Door switch bracket	763251970	0117	
206	Top hinge shim pad	763251748	0117	
207	Bottom hinge shim pad	763251749	0117	
208	Hinge bearing complete	761220982	0117	

Notes
