

Spare parts list

Baker SF900 / SF900plus / SF 86plus

Item number: 765042355

Release date: 10.12.19

Released by: JOLU

Revision date: 15.09.23 / JOLU

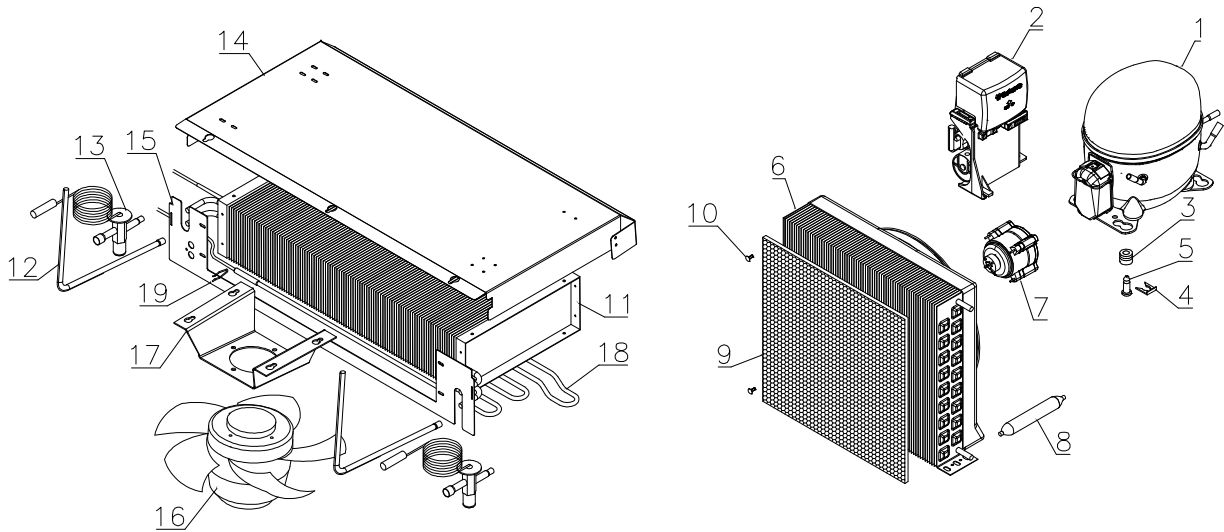
Revision no.: 004

Content

Refrigeration system parts	3
Sensors and sensor positioning	5
Cabinet parts	6
Electrical parts	7
Door	8
Notes	9

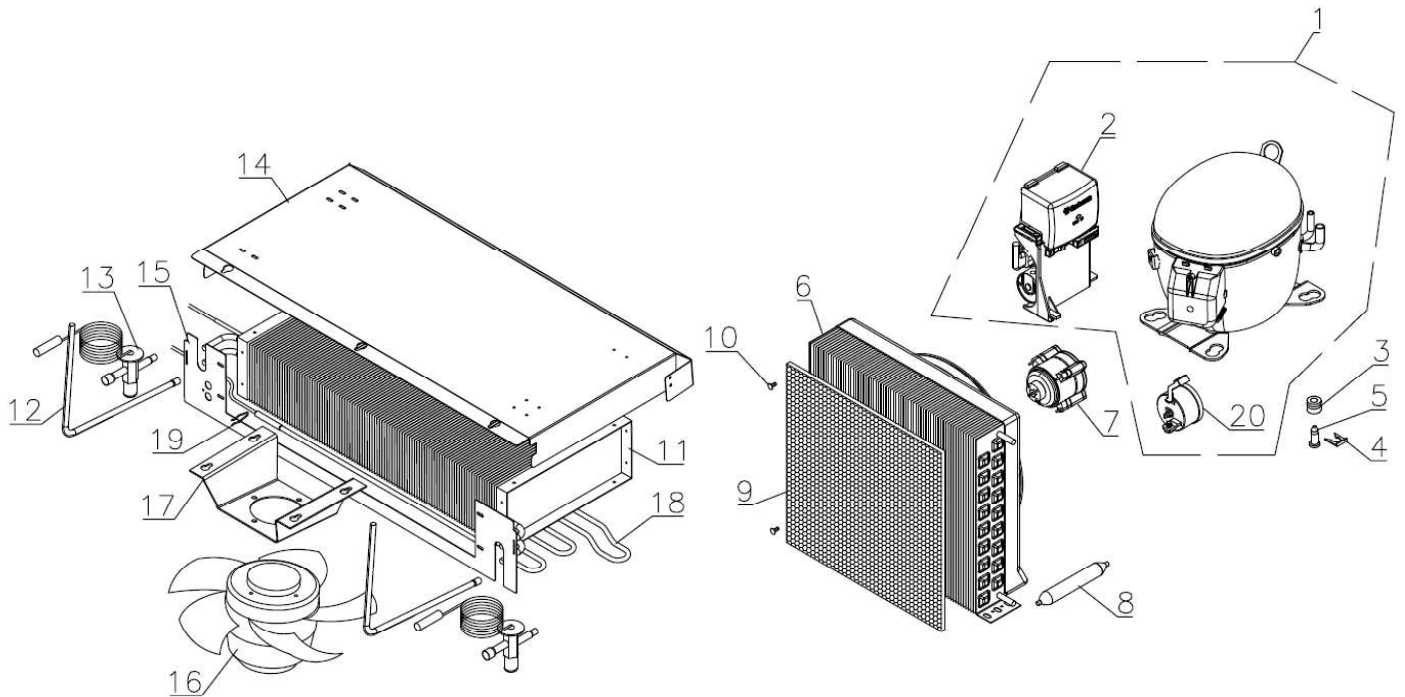
Refrigeration system parts

SF900



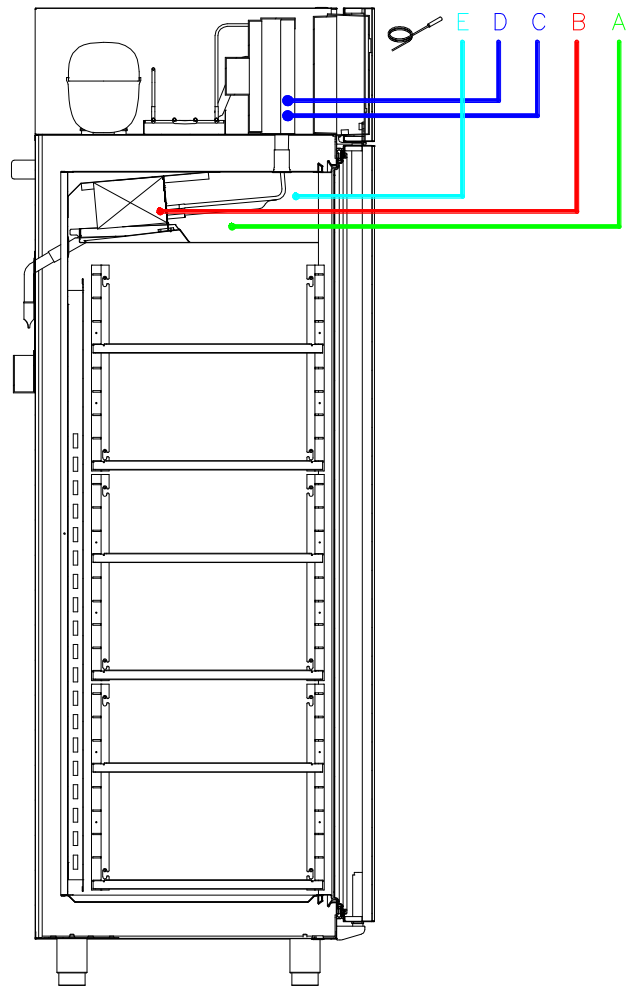
Item no.	Description	Gram part no.	Issued	Deleted
1	Compressor NEU2178U	502900105	0120	
2	Starting device	453051501	0120	
3	Rubber bush	760080519	0120	
4	Compressor clip	760082367	0120	
5	Compressor screw	760082711	0120	
6	Condenser complete w/fan	765080299	0120	
7	Condenser fan motor	763254092	0120	
8	Filter drier	765080159	0120	
9	Air filter	763252069	0120	
10	Attachment plug	765081250	0120	
11	Evaporator	765080298	0120	
12	Heat exchanger	760080976	0120	
13	Expansion valve	413165019	0120	
14	Evaporator suspension	763256250	0120	
15	Evaporator cover	763256305	0120	
16	Evaporator fan	610540049	0120	
17	Fan bracket	761256901	0120	
18	Defrost heater	765072061	0120	
19	Clip for defrost heater	761254427	0120	

SF900plus / SF86plus



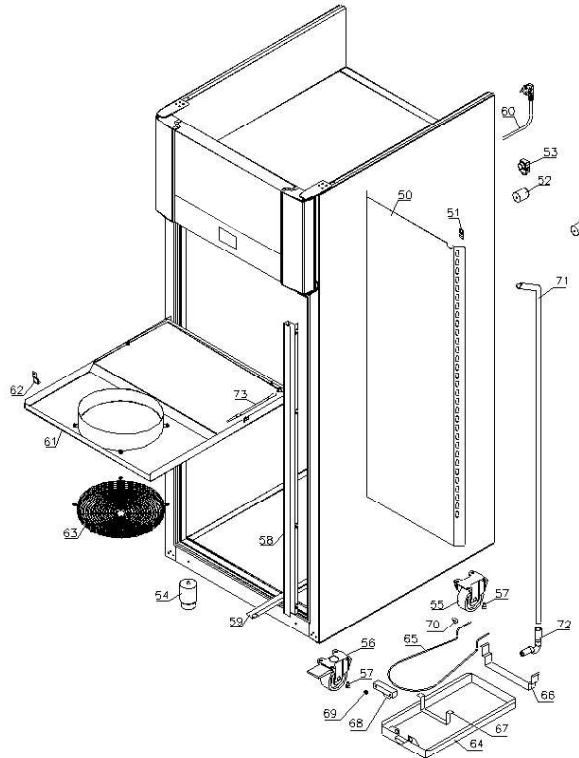
Item no.	Description	Gram part no.	Issued	Deleted
1	Compressor NT2180U	502900100	0120	
2	Starting device	453051500	0120	
3	Rubber bush	760080519	0120	
4	Compressor clip	760082367	0120	
5	Compressor screw	760082711	0120	
6	Condenser complete w/fan	765080299	0120	
7	Condenser fan motor	763254092	0120	
8	Filter drier	765080159	0120	
9	Air filter	763252069	0120	
10	Attachment plug	765081250	0120	
11	Evaporator	765080298	0120	
12	Heat exchanger	760080976	0120	
13	Expansion valve	413165019	0120	
14	Evaporator suspension	763256250	0120	
15	Evaporator cover	763256305	0120	
16	Evaporator fan	610540049	0120	
17	Fan bracket	762251227	0120	
18	Defrost heater	765072061	0120	
19	Clip for defrost heater	761254427	0120	
20	Overload protector for NT2180U	453051600	1723	

Sensors and sensor positioning



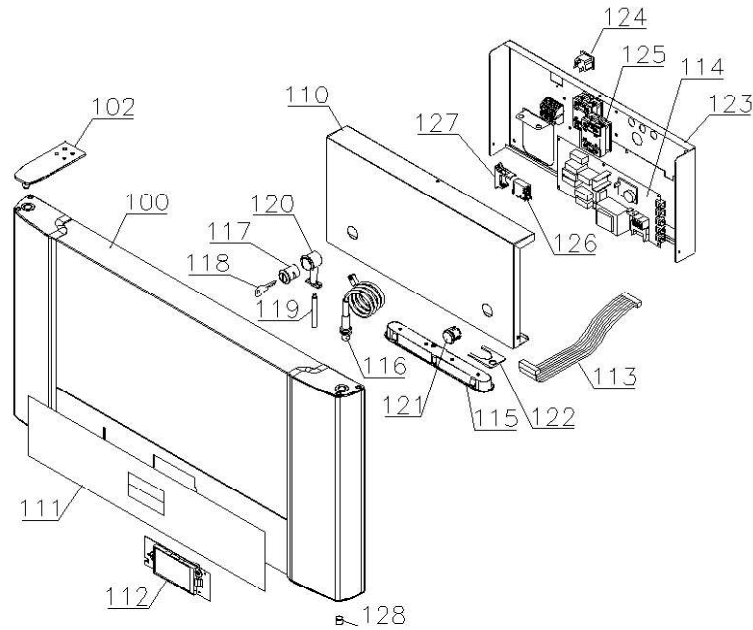
Item no.	Description	Gram part no.	Issued	Deleted
A	Room sensor	453531500	0120	
B	Defrost sensor	453531501	0120	
C	Condenser sensor 1	453531500	0120	
D	Condenser sensor 2	453531500	0120	
E	Extra sensor (hard chill)	453531501	0120	

Cabinet parts



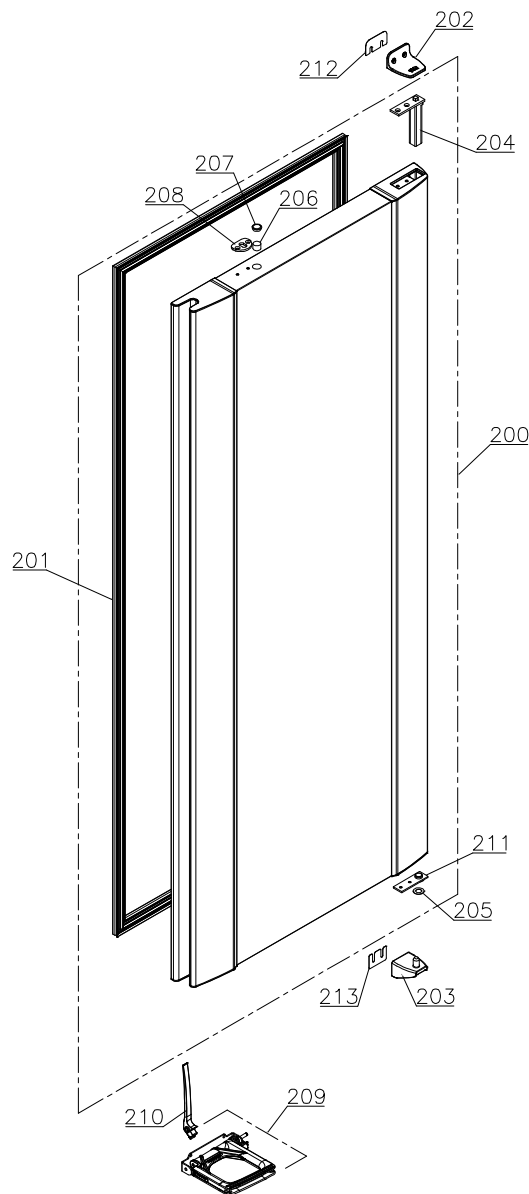
Item no.	Description	Gram part no.	Issued	Deleted
50	Air distribution plate	763257600	0120	
51	Bracket	760250762	0120	
52	Distance bush	762251184	0120	
53	Air relief valve	765081206	0120	
54	Leg H=100-135 mm	765080118	0120	
54	Leg H=135-200 mm	765080115	0120	
55	Fixed castor H=109 mm	480270521	0120	
55	Fixed castor H=125 mm	480270520	0120	
56	Swivel castor H=109 mm	480270522	0120	
56	Swivel castor H=125 mm	480260050	0120	
57	Screw M8x12	422715000	0120	
58	Wall rail set 60x80	818795001	0120	
58	Wall rail set 47x63	818795002	0120	
59	Supports set of 2	818805006	0120	
60	Power cord EU	765072566	0120	
60	Power cord UK	765072567	0120	
60	Power cord DK	765072568	0120	
61	Drip tray complete	763256413	0120	
62	Drip tray bracket	761253442	0120	
63	Fan guard	762251232	0120	
64	Re-evaporation tray	761254264	0120	
65	Re-evaporation heater	761250708	0120	
66	Re-evaporation tray holder	761254366	0120	
67	Heater bracket	761253603	0120	
68	Heater/re-evap. tray suspension	761254376	0120	
69	Bush for suspension	761254346	0120	
70	Cable bracket	452470031	0120	
71	Drain pipe	765081185	0120	
72	Water trap	765081176	0120	
73	Drain line heater	761250763	0120	

Electrical parts



Item no.	Description	Gram part no.	Issued	Deleted
100	Front panel complete, Stainless	763254076	0120	
102	Panel hinge	763251787	0120	
110	Junction box, front part	763252178	0120	
111	Display label	765040686	0120	
112	Display PCB	612900053	0120	
113	Ribbon cable L=1200	453582046	0120	
114	Controller PCB, SF950 G, PR P05	763256009	0120	
114	Controller PCB, SF950plus G PR P07 V.2	763256017	0120	
115	LED light bar	450742025	0120	
116	Door switch	450400113	0120	
117	Lock comb. A151	765080322	0120	
117	Lock comb. A152	765080328	0120	
117	Lock comb. A135	765080329	0120	
117	Lock comb. A136	765080346	0120	
117	Lock comb. A137	765080800	0120	
117	Lock comb. A138	765080801	0120	
117	Lock comb. A139	765080802	0120	
117	Lock comb. A140	765080803	0120	
117	Lock comb. A141	765080804	0120	
117	Lock comb. A142	765080805	0120	
117	Lock comb. A143	765080806	0120	
117	Lock comb. A144	765080807	0120	
118	Key A151	765080399	0120	
119	Lock pin	765080088	0120	
120	Lock housing	765080047	0120	
121	Plug for lock housing	763252152	0120	
122	Clip for LED bar	763252161	0120	
123	Junction box, back part	763252181	0120	
124	Appliance inlet	451022002	0120	
125	Solid state relay	450200300	0120	
126	Finder relay, SF 950plus	450200202	0120	
127	Relay socket, SF 950plus	450200100	0120	
128	Bush ø12	761254345	0120	

Door



Item no.	Description	Gram part no.	Issued	Deleted
200	Door complete, Stainless	763254061	0120	
200	Door complete, White	763254075	0120	
201	Gasket	763256702	0120	
202	Top hinge	763251747	0120	
203	Bottom hinge	763251746	0120	
204	Self closing device	763251745	0120	
205	Washer	760250527	0120	
206	Magnet for door switch	450401002	0120	
207	Plastic plug	765081220	0120	
208	Lock bracket	763251095	0120	
209	Foot pedal, right	763251812	0120	
209	Foot pedal, left	763251813	0120	
210	Pedal arm	763251802	0120	
211	Hinge bearing complete	761220980	0120	
212	Top hinge shim pad	763251748	0120	
213	Bottom hinge shim pad	763251749	0120	

Notes
