

Spare parts list

Baker F 650

Item number: 765041906

Release date: 10.02.16

Released by: JOLU

Revision date: 14.05.24/JOLU

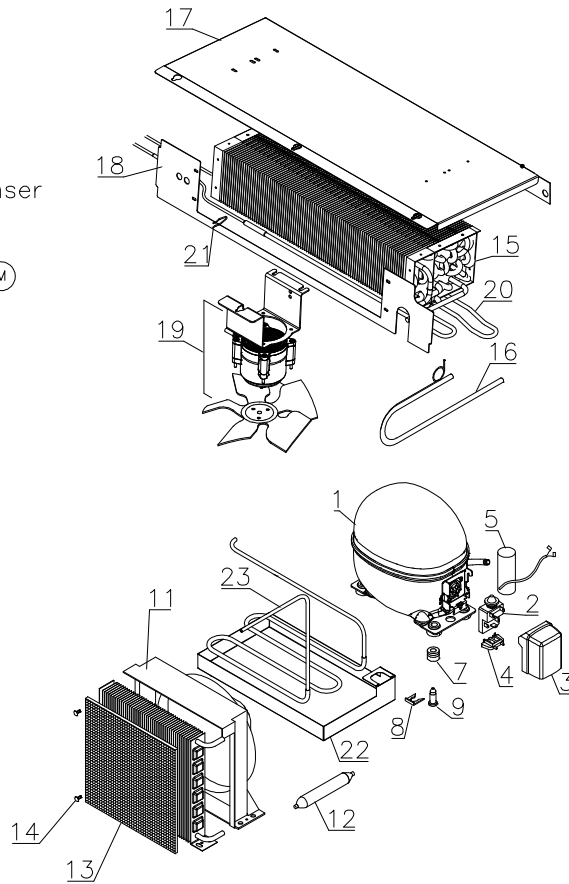
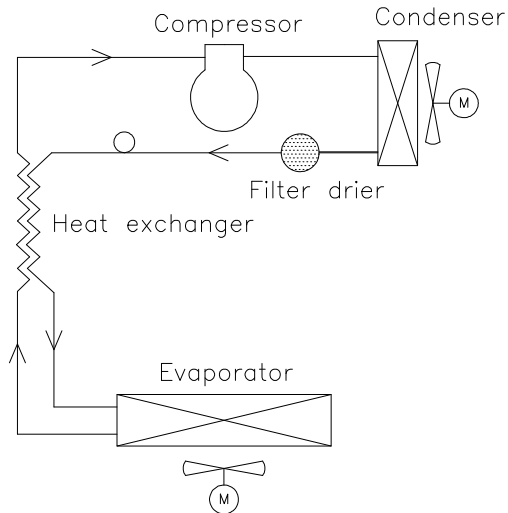
Revision no.: 009

Content

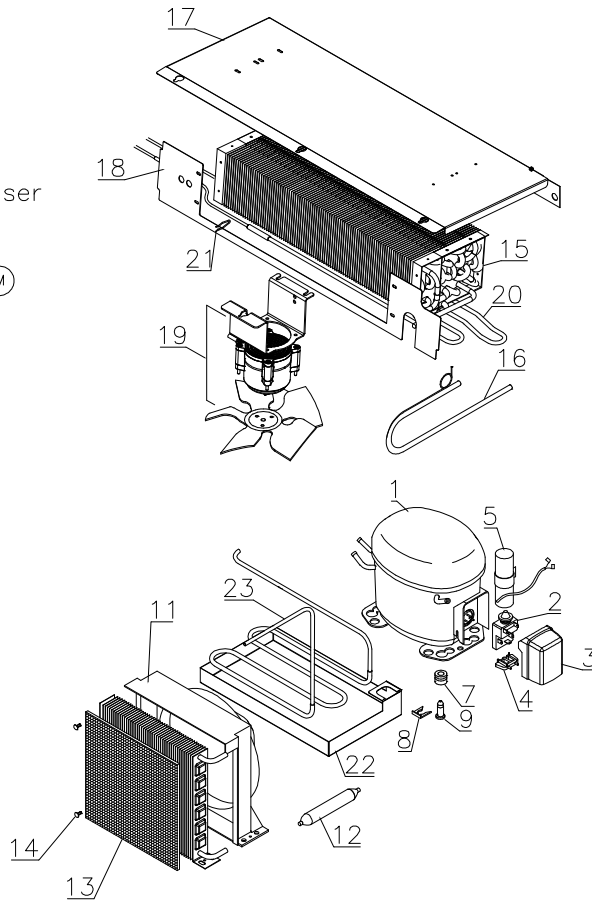
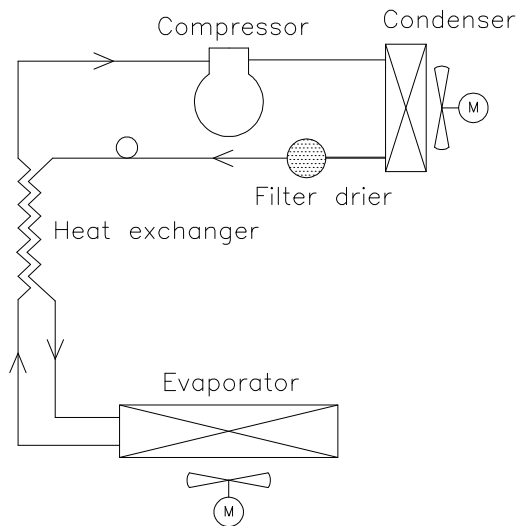
Refrigeration system parts	3
Sensors and sensor positioning.....	6
Cabinet parts	7
Electrical parts.....	8
Door.....	9
Notes	10

Refrigeration system parts

F 650 G

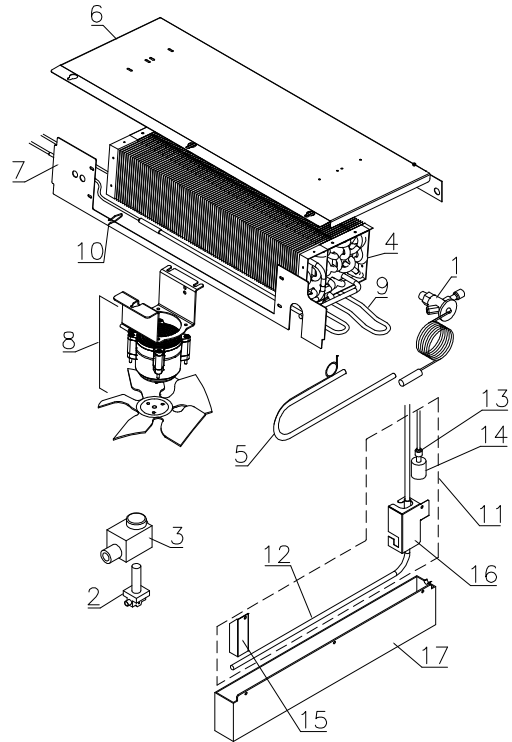
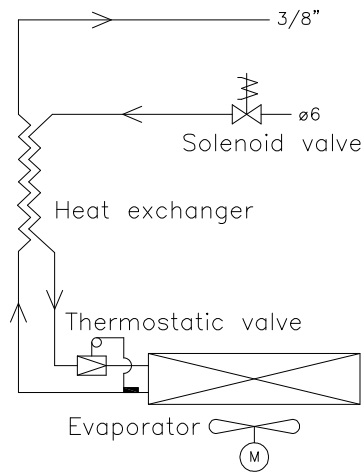


Item no.	Description	Gram part no.	Issued	Deleted
1	Compressor NLE11CNL	502900017	5115	
2	Starting relay	410589042	5115	
3	Cover	452440293	5115	
4	Cord relief	452440300	5115	
5	Start capacitor 80 μ F	451720018	5115	
7	Rubber bush	760080519	5115	
8	Compressor clip	760082367	5115	
9	Compressor screw	760082711	5115	
10	Condenser	765080162	5115	
11	Cond.fan guard complete w/IQ fan	763254096	5115	
12	Filter drier	765080156	5115	
13	Air filter	761114416	5115	
14	Attachment plug	765081250	5115	
15	Evaporator	765080185	5115	
16	Heat exchanger	762900078	5115	
17	Evaporator suspension	763241211	5115	
18	Evaporator cover	763241289	5115	
19	Evaporator fan	761250780	5115	
20	Defrost heater	765071819	5115	
21	Clip for defrost heater	761254427	5115	
22	Re-evaporation tray	763242725	5115	
23	Re-evaporation pipe	760000378	5115	



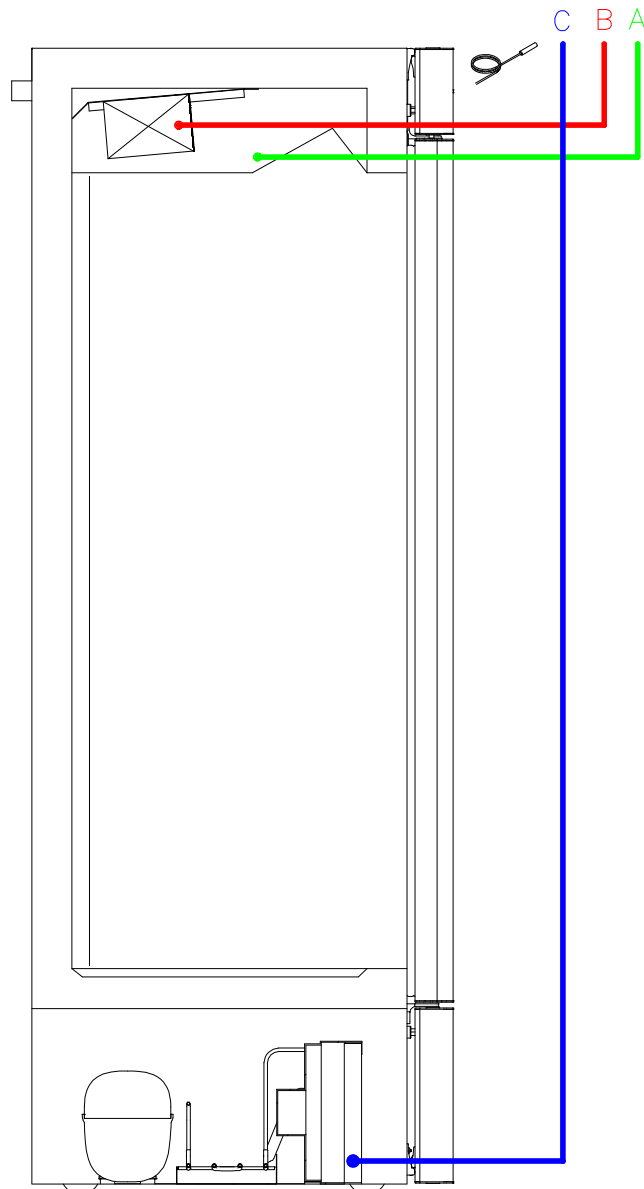
Item no.	Description	Gram part no.	Issued	Deleted
1	Compressor SC12CLX.2	500520257	5115	
2	Starting relay	410589021	5115	
3	Cover	452440280	5115	
4	Cord relief	452440292	5115	
5	Start capacitor 80 μ F	451720019	5115	
7	Rubber bush	760080519	5115	
8	Compressor clip	760082367	5115	
9	Compressor screw	760082711	5115	
10	Condenser	765080162	5115	
11	Cond.fan guard complete w/IQ fan	763254096	5115	
12	Filter drier	765080156	5115	
13	Air filter	761114416	5115	
14	Attachment plug	765081250	5115	
15	Evaporator	765080185	5115	
16	Heat exchanger	762900078	5115	
17	Evaporator suspension	763241211	5115	
18	Evaporator cover	763241289	5115	
19	Evaporator fan	761250780	5115	
20	Defrost heater	765071819	5115	
21	Clip for defrost heater	761254427	5115	
22	Re-evaporation tray	763242725	5115	
23	Re-evaporation pipe	760000378	5115	

F 650 F



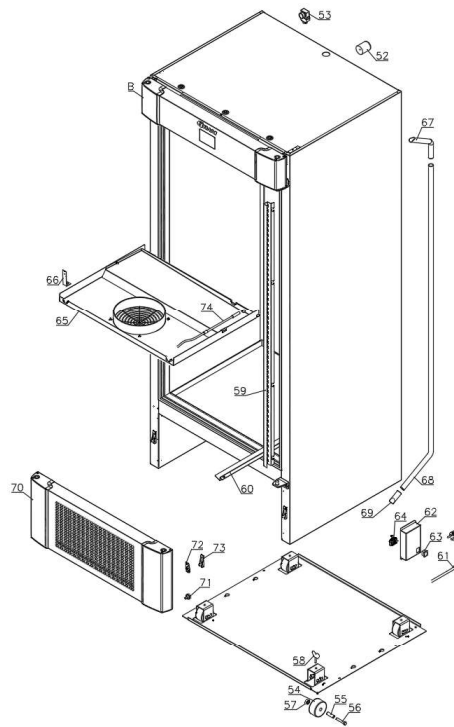
Item no.	Description	Gram part no.	Issued	Deleted
1	Expansion valve R404A	413165005	5115	
1	Expansion valve Ru1	413165013	1018	
2	Solenoid valve	410104002	5115	
3	Coil for solenoid valve	610296105	5115	
4	Evaporator	765080185	5115	
5	Heat exchanger	760082401	5115	
6	Evaporator suspension	763241211	5115	
7	Evaporator cover	763241289	5115	
8	Evaporator fan	761250780	5115	
9	Defrost heater	765071819	5115	
10	Clip for defrost heater	761254427	5115	
11	Re-evaporation kit	763254026	5115	
12	Re-evaporation heater	765072862	5115	
13	Float switch	765072049	5115	
14	Plastic cap	450450080	5115	
15	Heater bracket	763250021	5115	
16	Heater/float switch bracket	763250020	5115	
17	Re-evaporation tray	765081149	5115	

Sensors and sensor positioning



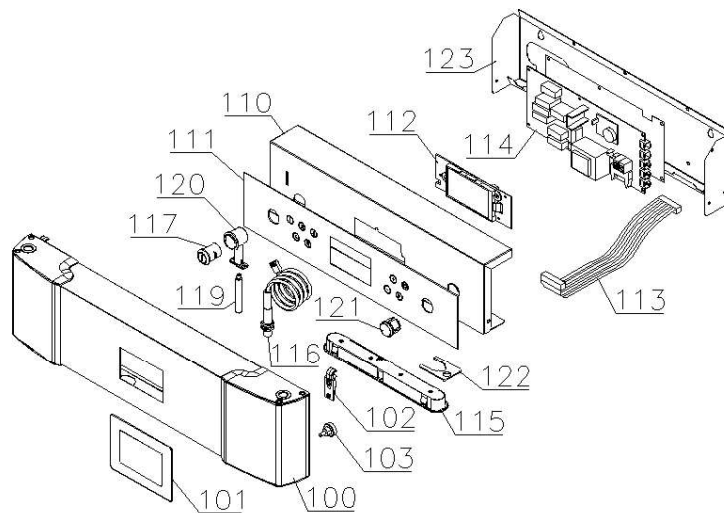
Item no.	Description	Gram part no.	Issued	Deleted
A	Room sensor	453531500	5115	
B	Defrost sensor	453531500	5115	
C	Condenser sensor	453531519	5115	

Cabinet parts



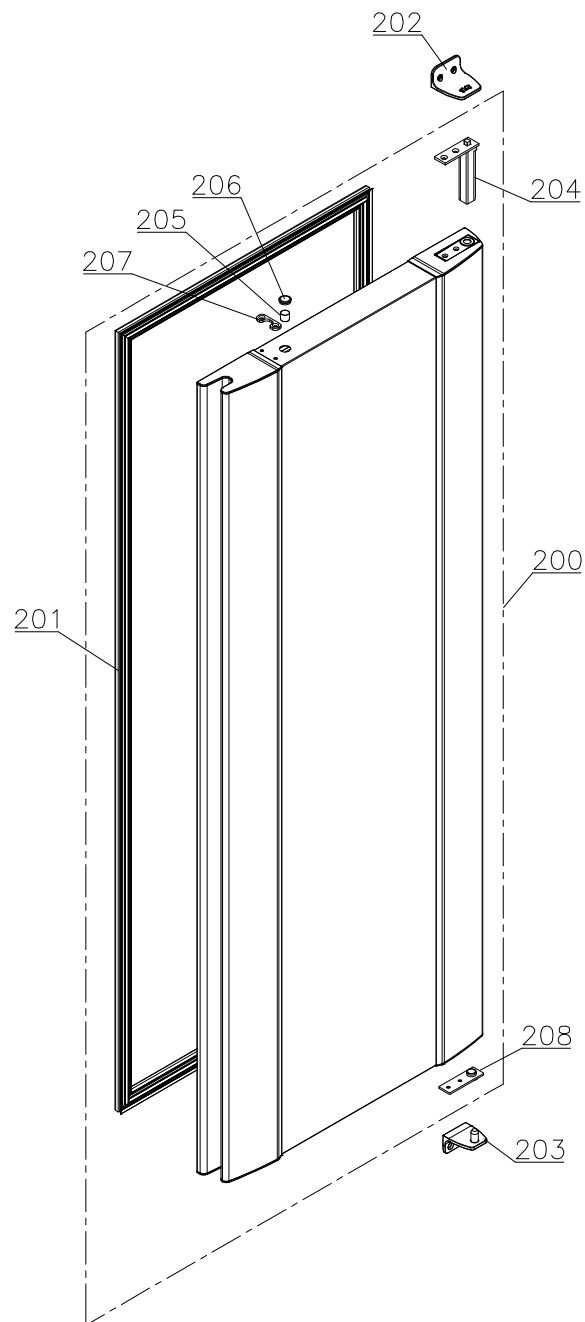
Item no.	Description	Gram part no.	Issued	Deleted
50	Air distribution plate	763252604	5115	
51	Bracket	760250762	5115	
52	Distance bush	762251184	5115	
53	Air relief valve	765081206	5115	
54	Nylon wheel ø70	480100027	5115	
55	Wheel bush	760242404	5115	
56	Hex.screw M8x50	420042286	5115	
57	Hex.nut M8	421092007	5115	
58	Wing screw	420730060	5115	
59	Wall rail 47x63, set of 4	818795000	5115	
59	Wall rail 40x60, set of 4	818795001	5115	
60	Shelf supports, set of 2	818790031	5115	
61	Power cord EU	765072566	5115	
61	Power cord UK	765072567	5115	
61	Power cord DK	765072568	5115	
62	Cover for terminal board	760243406	5115	
63	Appliance inlet	451022002	5115	
64	Terminal board	765070790	5115	
65	Drip tray	763256421	5115	
66	Drip tray bracket	763242954	5115	
67	Drain outlet pipe	765081253	5115	
68	Drain hose L=1,85 m	760100220	5115	
69	Water trap	760082891	5115	
70	Bottom panel, stainless	763244033	5115	1924
70	Bottom panel, stainless	763244038	2024	
70	Bottom panel, white	763244034	5115	1924
71	Magnet	763242013	5115	
72	Panel bracket	763242004	5115	
73	Panel bracket	763242003	5115	
74	Drain line heater	761250763	5115	

Electrical parts



Item no.	Description	Gram part no.	Issued	Deleted
100	Top panel complete, Stainless	763244000	5115	
100	Top panel complete, White	763244001	5115	
101	Display window	763252049	5115	
102	Panel bracket	763242004	5115	
103	Magnet	763242013	5115	
110	Junction box, front part	763242104	5115	
111	Display label	765040683	5115	
112	Display PCB	612900053	5115	
113	Ribbon cable L=700	453582047	5115	
114	Controller PCB, power part FS F01	763256002	5115	
115	LED light bar	450742025	5115	
116	Door switch	450400113	5115	
117	Lock comb. A151	765080322	5115	
117	Lock comb. A152	765080328	5115	
117	Lock comb. A135	765080329	5115	
117	Lock comb. A136	765080346	5115	
117	Lock comb. A137	765080800	5115	
117	Lock comb. A138	765080801	5115	
117	Lock comb. A139	765080802	5115	
117	Lock comb. A140	765080803	5115	
117	Lock comb. A141	765080804	5115	
117	Lock comb. A142	765080805	5115	
117	Lock comb. A143	765080806	5115	
117	Lock comb. A144	765080807	5115	
118	Key A151	765080399	5115	
119	Lock pin	763252153	5115	0320
119	Lock pin	765080088	0320	
120	Lock housing	765080047	5115	
121	Plug for lock housing	763252152	5115	
122	Clip for LED bar	763252161	5115	
123	Junction box, back part	763242103	5115	

Door



Item no.	Description	Gram part no.	Issued	Deleted
200	Door complete, Stainless	763244005	5115	
200	Door complete, White	763244006	5115	
201	Gasket	763241704	5115	
202	Top hinge	763251747	5115	
203	Bottom hinge	763241746	5115	
204	Self closing device	761259910	5115	
205	Magnet for door switch	450401002	5115	
206	Plastic plug	765081220	5115	
207	Lock bracket	763251090	5115	
208	Hinge bearing complete	761220980	5115	

Log book

Continuous changes are introduced in the log book.

-

Version 009:

- 14. May 2024: Pos 70 Bottom panel. stainless Changed.

Notes
