

Spare parts list

Baker GA 500

Item number: 765041923

Release date: 17.03.16

Released by: JOLU

Revision date: 26.06.24

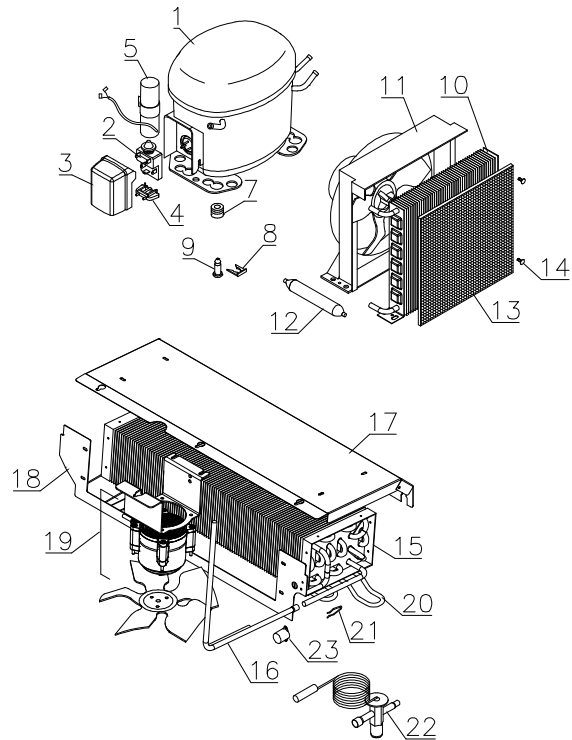
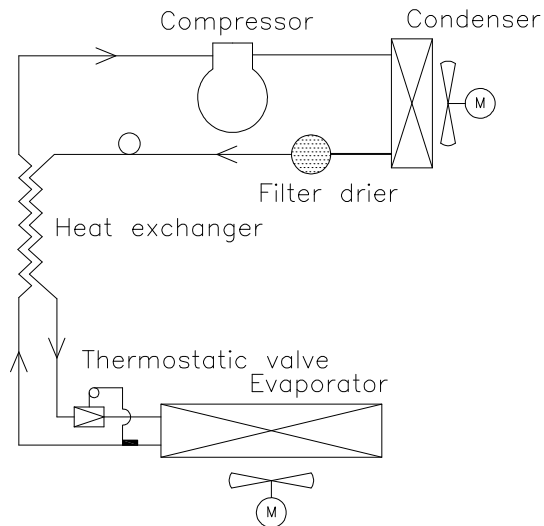
Revision no.: 015

Content

Refrigeration system parts	3
Humidifier system parts.....	6
Sensors and sensor positioning.....	7
Cabinet parts	8
Electrical parts.....	9
Door.....	10
Notes	11

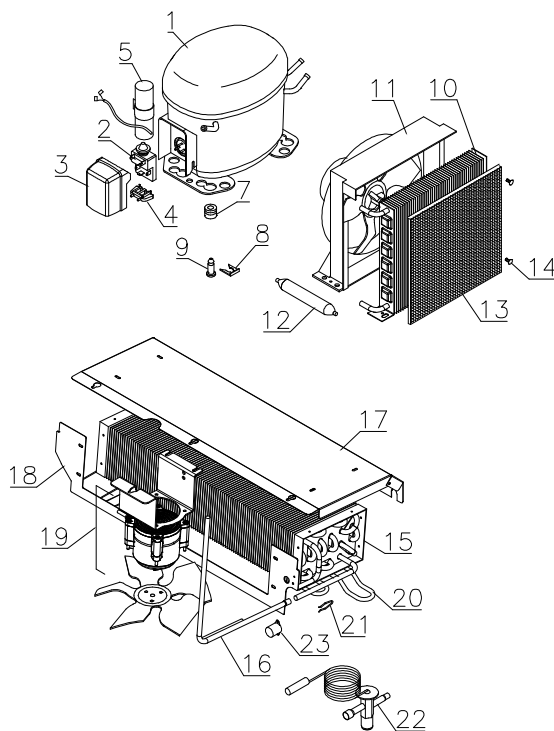
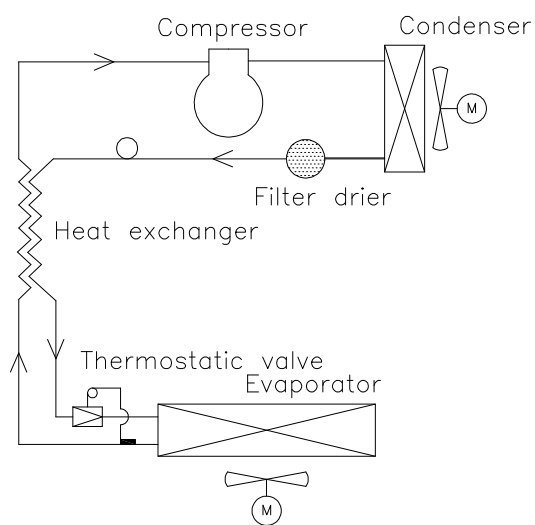
Refrigeration system parts

GA 500 G



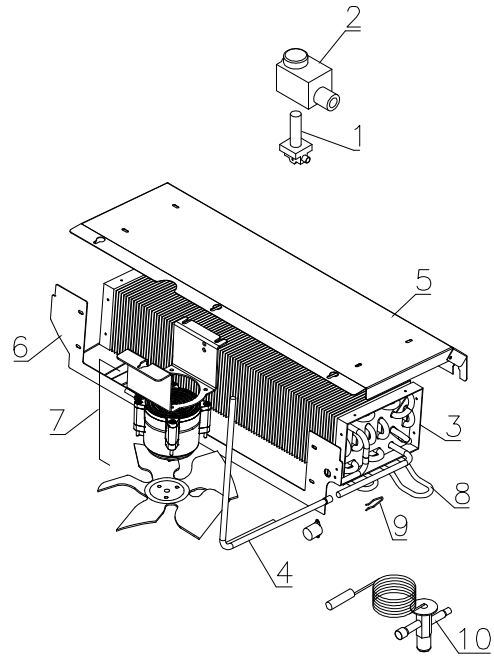
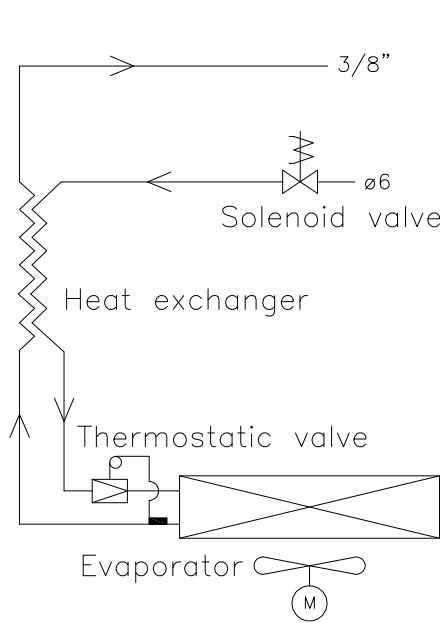
Item no.	Description	Gram part no.	Issued	Deleted
1	Compressor SC15CNX.2	502900007	1616	
2	Starting relay	410589041	1616	
3	Cover	452440280	1616	
4	Cord relief	452440292	1616	
5	Start capacitor 80 μ F	451720020	1616	
7	Rubber bush	760080519	1616	
8	Compressor clip	760082367	1616	
9	Compressor screw	760082711	1616	
10	Condenser	765080164	1616	
11	Fan guard complete	765080190	1616	
12	Filter drier	765080159	1616	
13	Air filter	761114423	1616	
14	Attachment plug	765081250	1616	
15	Evaporator	765080185	1616	
16	Heat exchanger	760080973	1616	
17	Evaporator suspension	763256306	1616	
18	Evaporator cover	763256300	1616	
19	Evaporator fan complete	763254080	1616	
20	Defrost heater	765072137	1616	
21	Clip for defrost heater	761254427	1616	
22	Thermostatic valve	413165018	1616	
23	Bi-metallic thermostat	410311000	1616	

GA 500 H



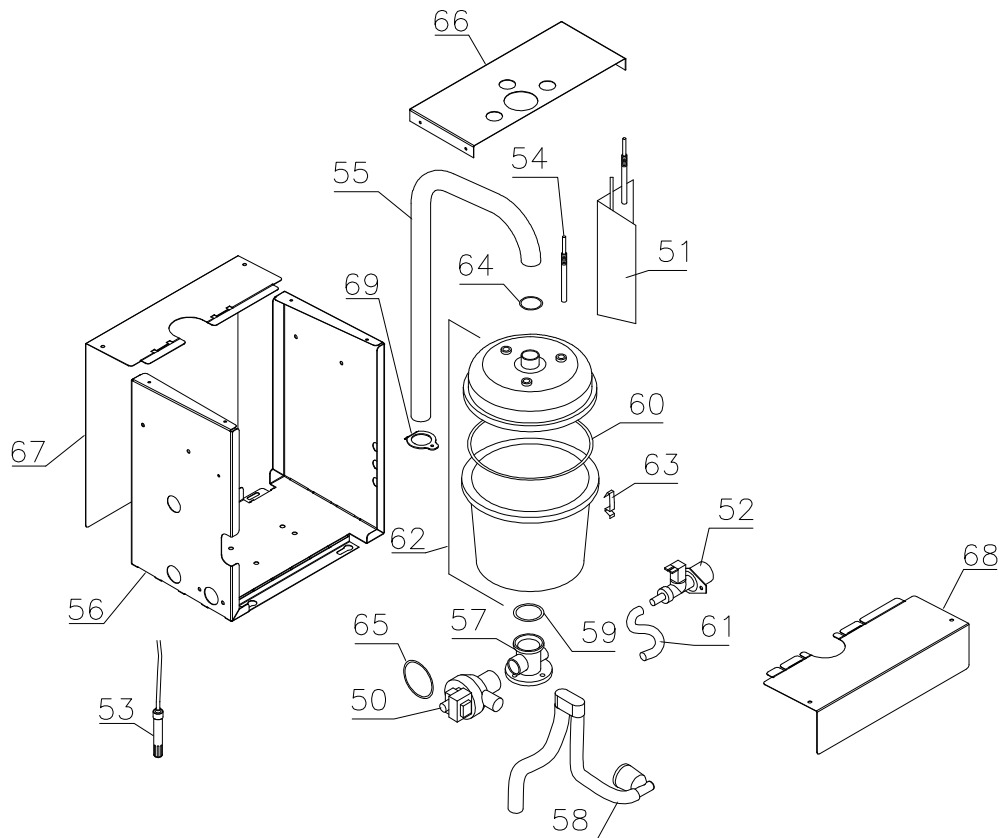
Item no.	Description	Gram part no.	Issued	Deleted
1	Compressor SC12CLX.2	500520257	1616	
2	Starting relay	410589038	1616	
3	Cover	452440291	1616	
4	Cord relief	452440292	1616	
5	Start capacitor 80 μ F	451720020	1616	
7	Rubber bush	760080519	1616	
8	Compressor clip	760082367	1616	
9	Compressor screw	760082711	1616	
10	Condenser	765080164	1616	
11	Fan guard	765080190	1616	
12	Filter drier	765080159	1616	
13	Air filter	761114423	1616	
14	Attachment plug	765081250	1616	
15	Evaporator	765080185	1616	
16	Heat exchanger	760080974	1616	
17	Evaporator suspension	763256306	1616	
18	Evaporator cover	763256300	1616	
19	Evaporator fan complete	763254080	1616	
20	Defrost heater	765072137	1616	
21	Clip for defrost heater	761254427	1616	
22	Thermostatic valve	413165016	1616	
23	Bi-metallic thermostat	410311000	1616	

GA 500 F



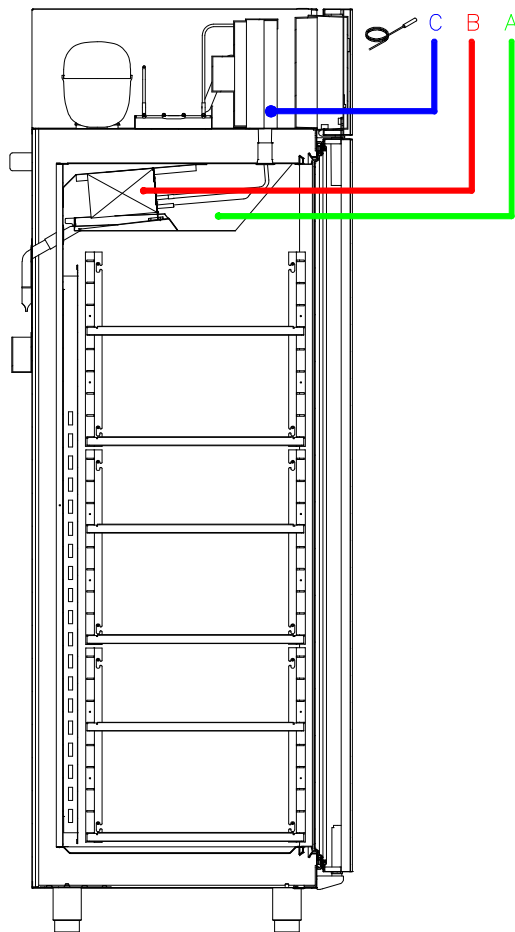
Item no.	Description	Gram part no.	Issued	Deleted
1	Solenid valve	410104002	1616	
2	Coil for solenoid valve	610296105	1616	
3	Evaporator	765080185	1616	
4	Heat exchanger	760080963	1616	
5	Evaporator suspension	763256306	1616	
6	Evaporator cover	763256300	1616	
7	Evaporator fan complete	763254080	1616	
8	Defrost heater	765072137	1616	
9	Clip for defrost heater	761254427	1616	
10	Thermostatic valve R404A	413165005	1616	
10	Thermostatic valve Ru1	413165013	1616	

Humidifier system parts



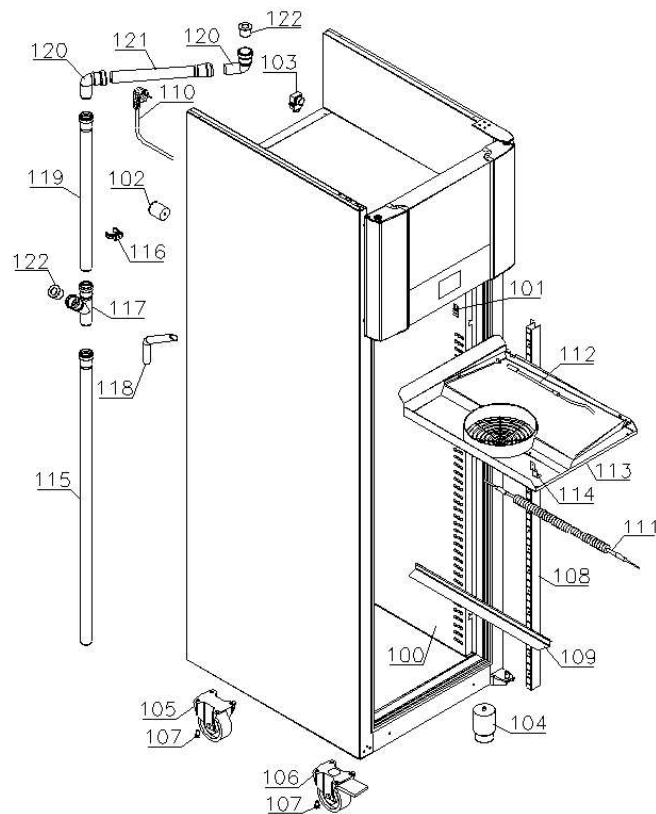
Item no.	Description	Gram part no.	Issued	Deleted
50	Drain pump	765081157	1616	
51	Electrodes (2 off)	765081158	1616	
52	Water inlet solenoid valve	765081159	1616	
53	Humidity sensor	765073236	1616	
54	Sensor electrode	453531101	1616	
55	Steam pipe	460550103	1616	
56	Base plate for cylinder	763255751	1616	
57	Cylinder base	765081160	1616	
58	Water drain hose system	765081161	1616	
59	O-ring seal for cylinder base	550890021	1616	
60	O-ring seal for cylinder flange	550890022	1616	
61	Conn.hose, solenoid valve-cylinder	765081165	1616	
62	Steam cylinder – complete set	765081191	1616	
63	Clamp for cylinder	765081164	1616	
64	O-ring seal for steam pipe	550890020	1616	
65	O-ring seal for drain pump	550890023	1616	
66	Cylinder top plate	763255753	1616	
67	Cover, front	763255754	1616	
68	Cover, top	763255755	1616	
69	Steam pipe bracket	763258890	1616	

Sensors and sensor positioning



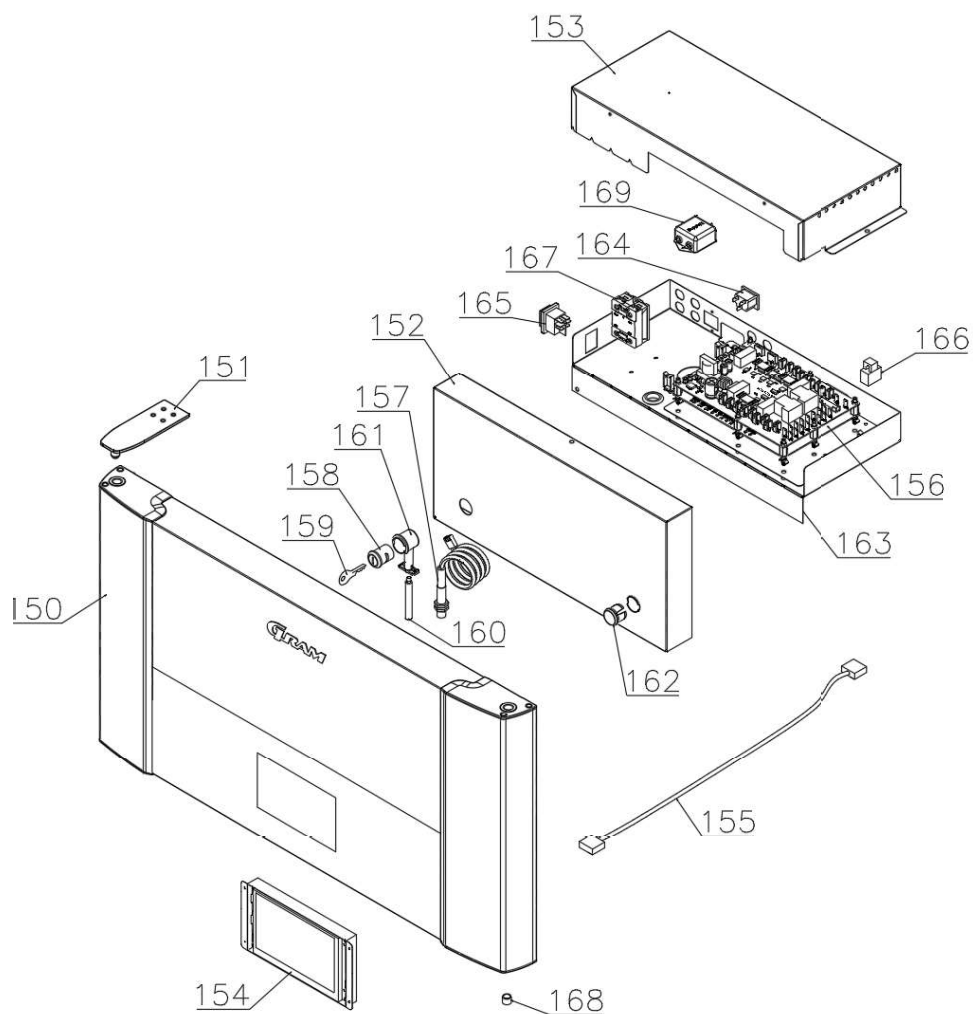
Item no.	Description	Gram part no.	Issued	Deleted
A	Room sensor	453531521	1616	
B	Defrost sensor	453531522	1616	
C	Condenser sensor	453531523	1616	

Cabinet parts



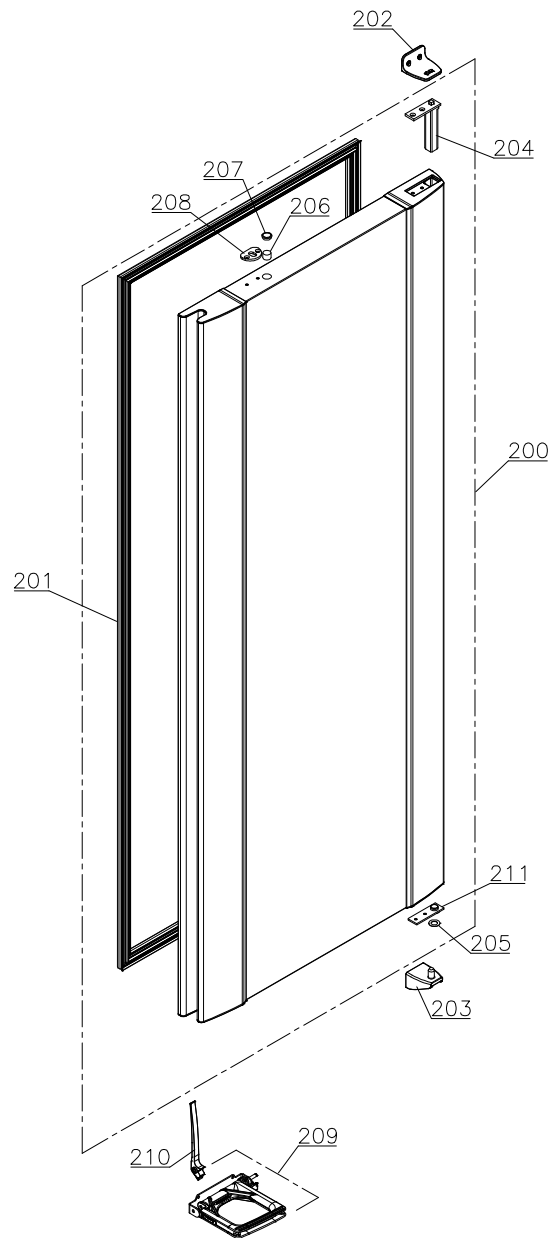
Item no.	Description	Gram part no.	Issued	Deleted
100	Air distribution plate	763257601	1616	
101	Bracket	760250762	1616	
102	Distance bush	762251184	1616	
103	Air relief valve	765081206	1616	
104	Leg H=100-135 mm	765080118	1616	
104	Leg H=135-200 mm	765080115	1616	
105	Fixed castor H=109 mm	480270521	1616	
105	Fixed castor H=125 mm	480270520	1616	
106	Swivel castor H=109 mm	480270522	1616	
106	Swivel castor H=125 mm	480260050	1616	
107	Screw M8x12	422715000	1616	
108	Wall rail set 40x60	818875007	1616	
109	Supports set of 2	818885007	1616	
110	Power cord EU	765072566	1616	
110	Power cord UK	765072567	1616	
110	Power cord DK	765072568	1616	
111	Cabinet heater	763254102	1616	
112	Drain line heater	765072211	1616	
113	Drip tray complete	763256403	1616	
114	Drip tray bracket	761253442	1616	
115	Drain pipe L=1000 mm	335060010	1616	
116	Pipe support	335060004	1616	
117	Branch connection	335060008	1616	
118	Drip water pipe	765081253	1616	
119	Drain pipe L=500 mm	335060009	1616	
120	Pipe bend	335060006	1616	
121	Drain pipe L=250 mm	335060001	1616	
122	Plug	335060005	1616	

Electrical parts



Item no.	Description	Gram part no.	Issued	Deleted
150	Front panel complete, Stainless	763254081	1616	
151	Panel hinge	763251899	1616	
152	Junction box, front part	763252135	1616	
153	Junction box top cover	763252134	1616	
154	Display PCB	453580127	1616	
155	HMI cable	453582065	1616	
156	Controller PCB, power part	453580128	1616	
157	Door switch	450400115	1616	
158	Lock comb. A151	765080322	1616	
159	Key A151	765080399	1616	
160	Lock pin	763252153	1616	
161	Lock housing	765080047	1616	
162	Plug for lock housing	763252152	1616	
163	Junction box	763252131	1616	
164	Appliance inlet	451022002	1616	
165	Power switch	450450500	1616	
166	Amp sensor	453531524	1616	
167	Solid State Relay	450200300	4017	
168	Bush ø12	761254345	1616	
169	EMC-Filter	451022008	2824	

Door



Item no.	Description	Gram part no.	Issued	Deleted
200	Door complete, Stainless	763254077	1616	
201	Gasket	763256704	1616	
202	Top hinge	763251747	1616	
203	Bottom hinge	763251746	1616	
204	Self closing device	761259909	1616	4718
204	Self closing device	763251745	4718	
205	Washer	760250527	1616	
206	Magnet for door switch	450401002	1616	
207	Plastic plug	765081220	1616	
208	Lock bracket	763251095	1616	
209	Foot pedal, right	763251812	1616	
209	Foot pedal, left	763251813	1616	
210	Pedal arm	763251802	1616	
211	Hinge bearing complete	763251755	1616	

Log book

Continuous changes are introduced in the log book.

-

Version 016:

- 26. June 2024: Pos 169 EMC Filer added.

Notes
