

Spare parts list

COMPACT GR 200

Item number: 765042443

Release date: 10.11.20

Released by: JABP

Revision date: 08.03.24/JOLU

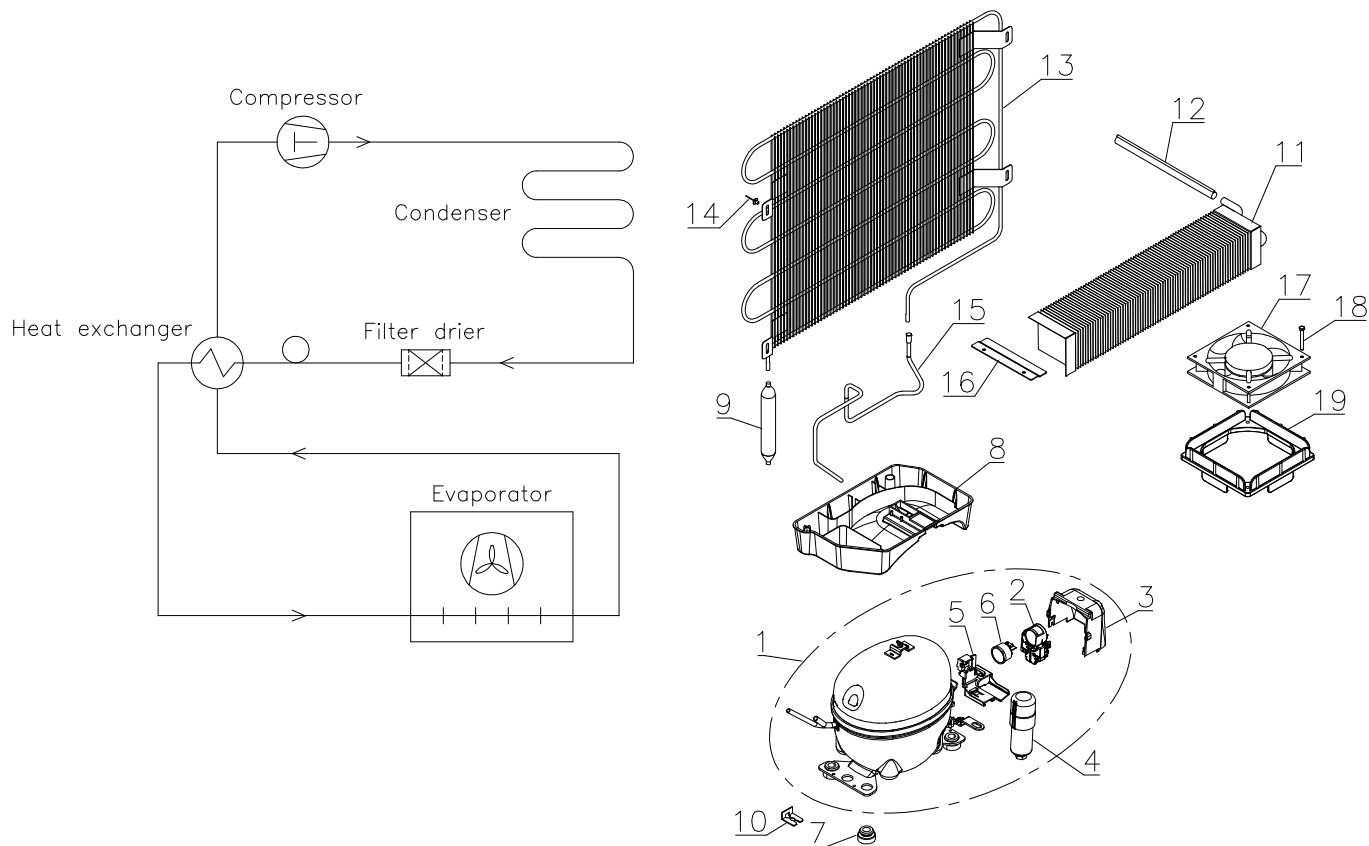
Revision no.: 008

Content

Refrigeration system parts	3
Sensors and sensor positioning	4
Cabinet parts	5
Table top parts	6
Door	7
Notes	9

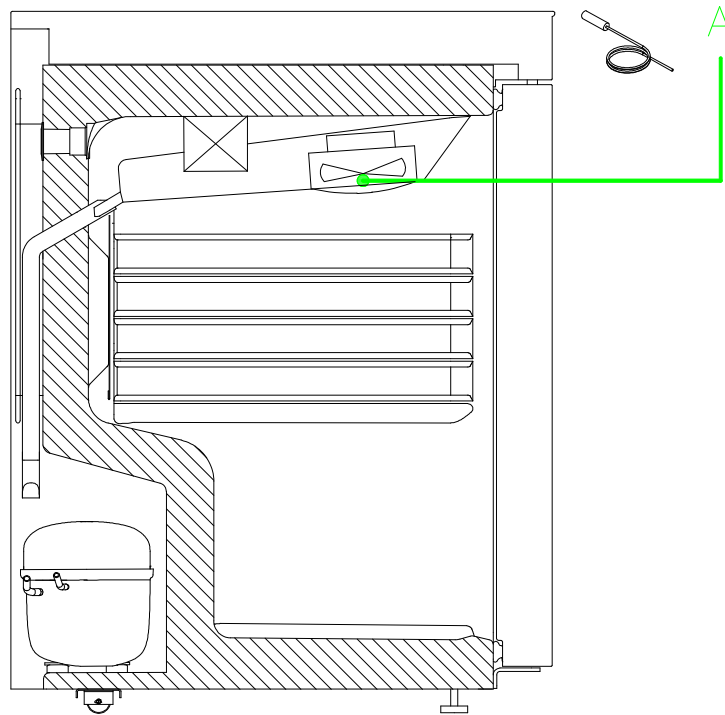
Refrigeration system parts

GR 220



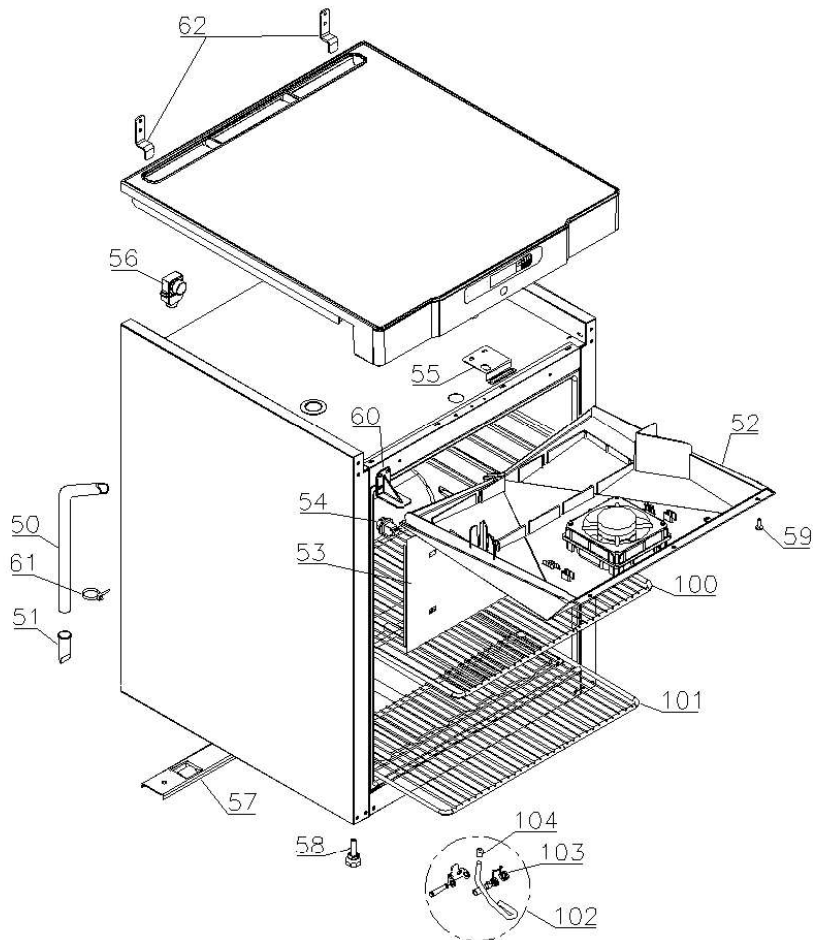
Item no.	Description	Gram part no.	Issued	Deleted
1	Compressor EMX26CLC complete	502900109	4620	
2	Starter PTC group	453050200	4620	
3	Cover	452440021	4620	
4	Run capacitor	451723552	4620	
5	Strain relief	452440020	4620	
6	Protector	452440601	4620	
7	Rubber bush (4 off)	760080519	4620	
8	Re-evaporation tray	410820014	4620	
9	Filter drier	761221321	4620	
10	Compressor clip (2 off)	760082367	4620	
11	Evaporator	765080412	4620	
12	Heat exchanger	762222400	4620	
13	Condenser	761223014	4620	
14	Blind rivet (4 off)	422350062	4620	
15	Hot gas re-evaporation pipe	760000451	4620	
16	Evaporator suspension bracket (2 off)	761223070	4620	
17	Evaporator fan 12V DC	765071446	4620	
18	Screw for fan (2 off)	420790001	4620	
19	Fan gasket	761223110	4620	

Sensors and sensor positioning



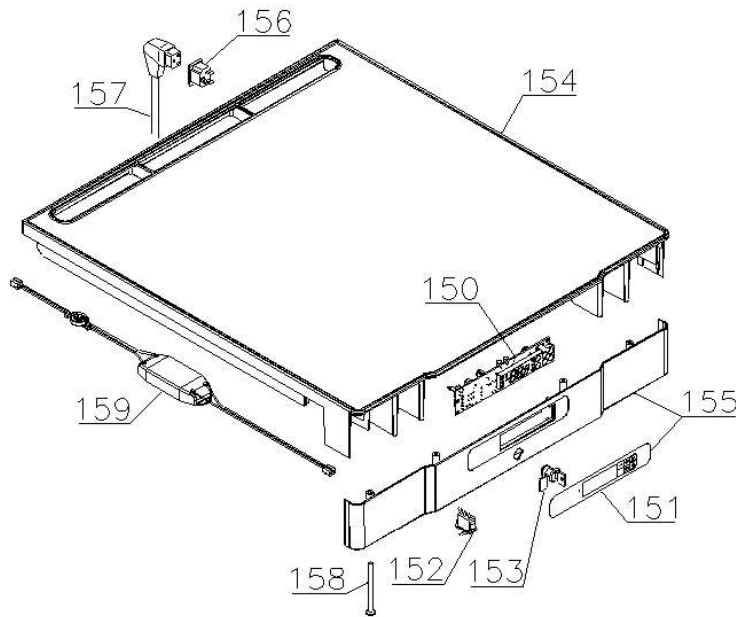
Item no.	Description	Gram part no.	Issued	Deleted
A	Temperature sensor	453531535	4620	

Cabinet parts



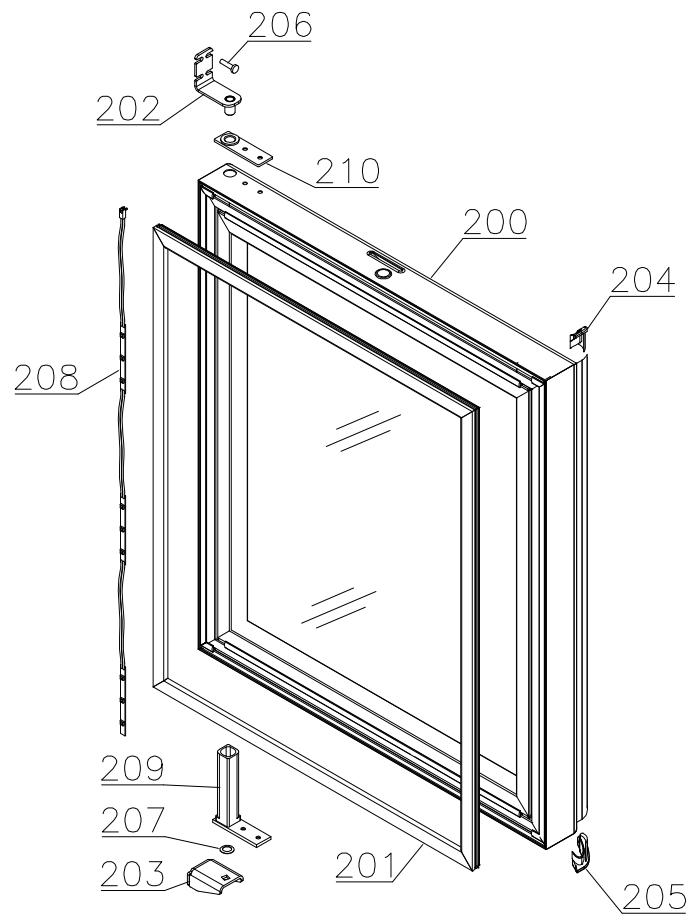
Item no.	Description	Gram part no.	Issued	Deleted
50	Drain pipe	761221755	4620	
51	Water trap	760082891	4620	
52	Drip tray complete w/fan, gasket and screws	762223098	4620	
53	Air distribution plate	761222997	4620	
54	Suspension plug (4 off)	765081213	4620	
55	Lock bracket	761222761	4620	
56	Air relief valve	765081206	4620	
57	Wheel bracket complete	761223051	4620	
58	Adjustment screw (2 off)	761223073	4620	
59	Screw M4x16 (3 off)	422701022	4620	
60	Cover bracket	761222758	4620	
61	Cable binder for drain pipe	451660030	4620	
62	Anti-tilt bracket (set of 2)	762225000	4620	
	Accessories:			
100	Wire shelf large, white	818721001	4620	
101	Wire shelf small, white	818721019	4620	
102	Foot pedal complete	819581052	4620	
103	Spring	761224005	4620	
104	Plastic cap	581400021	4620	

Table top parts



Item no.	Description	Gram part no.	Issued	Deleted
150	Electronic controller	453580602	4620	
151	Label for controller (GRAM)	762222649	4620	
151	Label for controller (G+)	762222661	0124	
152	Door switch	765070895	4620	
153	Door lock	765080093	4620	0121
153	Door lock	765081280	0121	4622
153	Door lock	765080093	4622	
154	Tabletop upper part, grey	761222891	4620	1223
154	Tabletop upper part, white	761222890	4620	1223
154	Tabletop upper part, grey	761222631	0124	
154	Tabletop upper part, white	761222630	0124	
155	Tabletop front, grey GR - incl label f. controller (G+)	762224012	4620	
155	Tabletop front, white GR - incl label f. controller (G+)	762224013	4620	
155	Tabletop front, grey GR - incl label f. controller (Gram)	762224016	0924	
155	Tabletop front, white GR - incl label f. controller (Gram)	762224017	0924	
156	Appliance inlet	451022002	4620	
157	Mains cable, EU	765072630	4620	
157	Mains cable, UK	765072631	4620	
157	Mains cable, DK	765072632	4620	
158	Screw M4x70 (4 off)	420178125	4620	
159	LED driver	765073361	4620	

Door



Item no.	Description	Gram part no.	Issued	Deleted
200	Glass door	761232962	4620	
201	Door gasket	761222704	4620	
202	Top hinge	761222906	4620	
203	Bottom hinge, left	761222830	4620	
203	Bottom hinge, right	761222829	4620	
204	Top plastic end fitting	761222724	4620	
205	Bottom plastic end fitting	761222725	4620	
206	Screw for hinge	422733001	4620	
207	Washer	420178003	4620	
208	LED light strip	761222706	4620	
209	Self close device, right	763251745	4620	
210	Hinge bearing complete	761220982	4620	

Log book

Continuous changes are introduced in the log book.

-

Version 007:

- **08. Marts 2024: Pos 151, 154, 155 Changed.**

Notes
